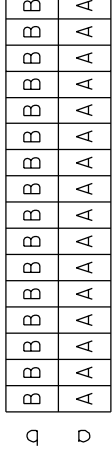


View on mating side



A = 16 contacts L=2,8
 B = 16 contacts L=2,8

S = 32 total number of contacts

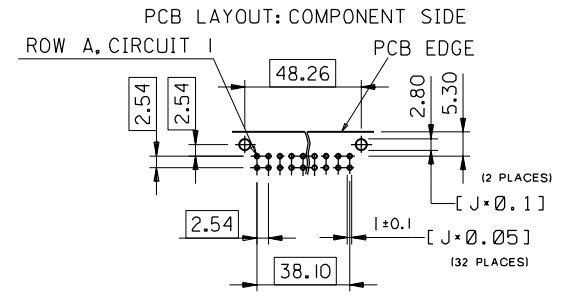
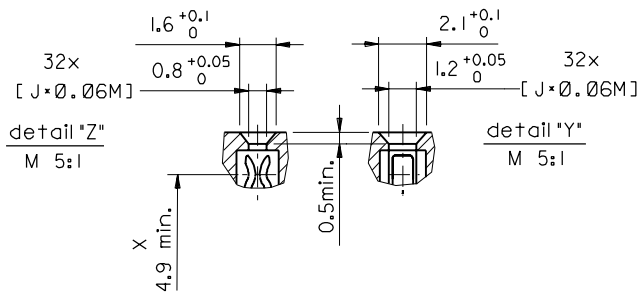
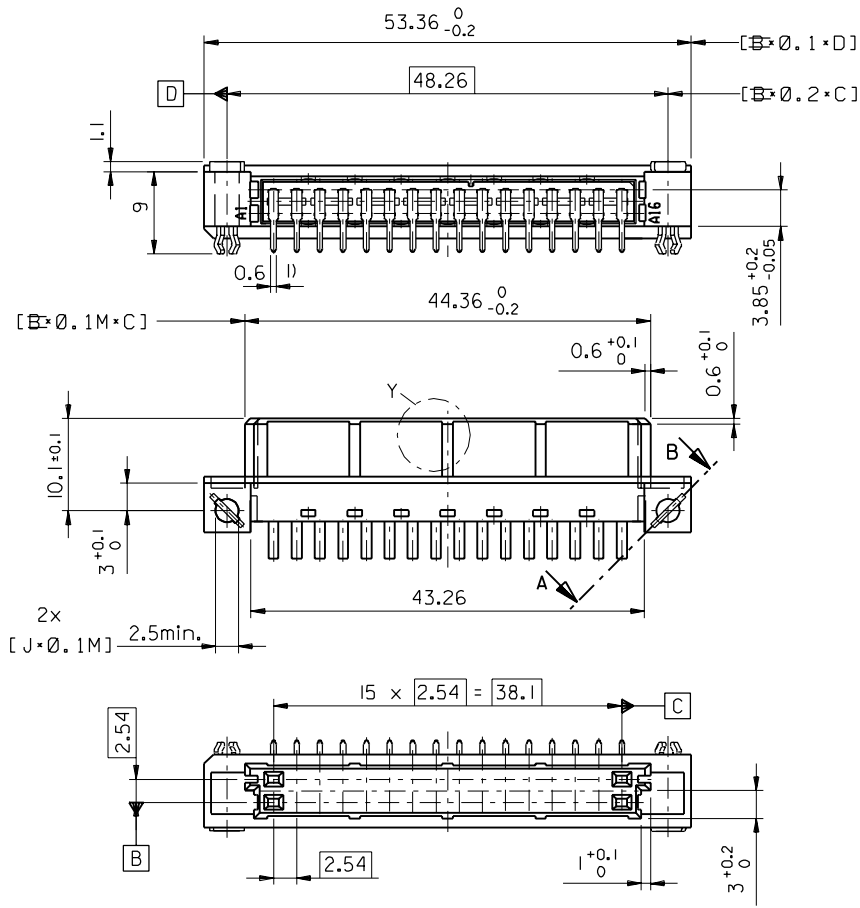
Marking	Standard
Performance level	G1/0 = Contact area perform. level / Termination tin
Flux proof	yes
Fixing clip	no
Dimensions	SDA-85050-0002 sht.1
Technical Data	PS-85052-0001

B	G1/0	DRWG BY	KN	SIGN						
A	G1/0	CHK'D BY	Ca	SIGN						
Contact symbol	Perform. level	APPD BY	JB	SIGN						
		SCALE								
		DESIGN DIMENSION	<input type="checkbox"/> MM <input type="checkbox"/> IN.							
		EQUIVALENT DIMENSION	<input type="checkbox"/> MM <input type="checkbox"/> IN.							
		IF TWO DIMENSIONS ARE SHOWN, THE UPPER IS THE DESIGN DIMENSION, LOWER IS SECONDARY								
		DRAFT WHERE APPLICABLE MUST REMAIN WITHIN DIMENSIONS								
		3 PLACE	± .	±						
		2 PLACE	± .	±						
		1 PLACE	± .	±						
		UNLESS OTHERWISE SPECIFIED TOLERANCES; ANGULAR ± 2°								
		INCH								
		METRIC								
		SIGN								
		CHK'D BY								
		DRWG BY								
		SIGN								
		APPD BY								
		SIGN								
		CHK'D BY								
		DRWG BY								
		SIGN								

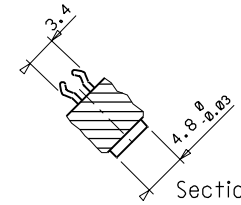
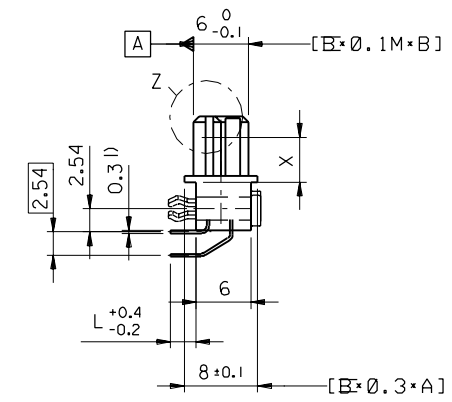
Contact position number

ECN MC1998-2620 first release 97-10-17 KN	REVISONS		FOR PREVIOUS REVISIONS SEE MRI LIST	
	LTR	97-10-17 KN		
REVISIONS		CAD/CAM PROJECT NAME		SH. REV.
		s8505001 s21		THIS DRAWING CONTAINS INFORMATION THAT IS PROPRIETARY TO MOLEX INC. & SHOULD NOT BE USED WITHOUT WRITTEN PERMISSION
TITLE		32 pos. female connector acc. DIN 41612 style A/2 contacts arrangement		
PART NO.		MOLEX EUROPE		SHEET NO. DATE
85050-0127		DWG NO. SD-85050-0127		1 OF 1 97/10/17
SIZE		A		

PART NO.
DWG. NO.



1) tails to fit in PC-board layout



FIRST ANGLE PROJECTION		DRWG BY KN	SIGN
UNLESS OTHERWISE SPECIFIED TOLERANCES: ANGULAR ±2°		CHK'D BY Ca	SIGN
INCH METRIC		APP'D BY JB	SIGN
3 PLACE ±	±	SCALE	2:1
2 PLACE ±	±		
1 PLACE ±	±		
DRAFT WHERE APPLICABLE MUST REMAIN WITHIN DIMENSIONS			
DESIGN DIMENSION	<input checked="" type="checkbox"/> MM		
	<input type="checkbox"/> IN.		
EQUIVALENT DIMENSION	<input type="checkbox"/> MM		
	<input type="checkbox"/> IN.		
IF TWO DIMENSIONS ARE SHOWN THE UPPER IS THE DESIGN DIMENSION, LOWER IS SECONDARY			

REVISE ONLY ON CAD SYSTEM		SH.	REV.
CAD/CAM PROJECT NAME 85050000 821		THIS DRAWING CONTAINS INFORMATION THAT IS PROPRIETARY TO MOLEX INC. & SHOULD NOT BE USED WITHOUT WRITTEN PERMISSION	
TITLE 32 pos. female connector DIN 41612 style Q/2+ clip Dimensions			
MOLEX MOLEX EUROPE		SHEET NO. 1 OF 1	DATE 96/04/25
PART NO.	DWG NO. SDA-85050-0002	SIZE B	

ECN MG1898-2586	REVISIONS
L +0.4-0.2, Lockbild 97-09-17 KN	
BI	LTR