

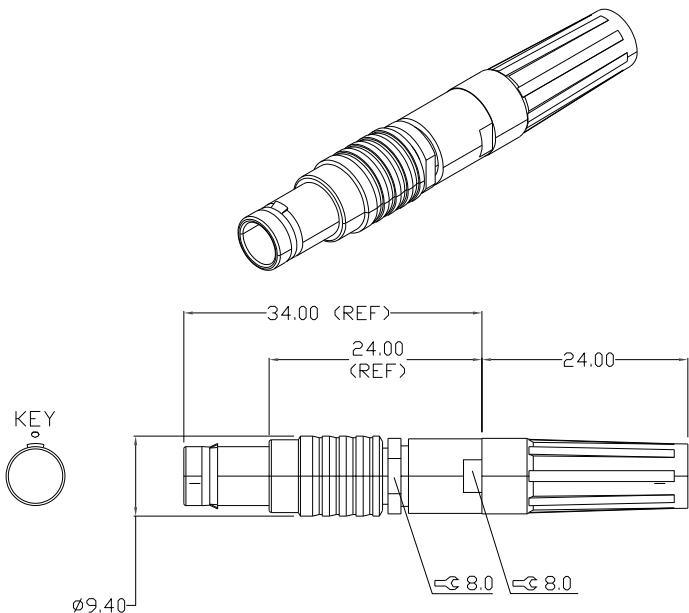
SPECIFICATIONS:

MATERIALS:

HOUSING: BRASS
 HOUSING PLATING: 196u" NICKEL MIN.
 SHELL & COLLET NUT: BRASS, 196u" CHROME PLATED MIN.
 CONTACTS: 7u" GOLD PLATED BRASS OVER 196u" NICKEL MIN.
 INSULATOR: PPS (HIGH TEMPERATURE)
 STRAIN RELIEF (BOOT): THERMOPLASTIC POLYURETHANE

MECHANICAL:

MATING CYCLES: 5000 CYCLES
 OPERATING TEMPERATURE: -40°C TO +200°C
 PROCESS TEMPERATURE: 260°C FOR 5 SECONDS
 SHIELDING: 75dB @ 10MHz // 40dB @ 1GHz
 IP RATING: 50
 MAX TORQUE VALUE: 0.5 Nm



820BYYY-173LYY1

SERIES _____
 POSITIONS _____
 YYY = SEE POSITION CHART
 GENDER _____
 1 = MALE
 TYPE _____
 7 = CABLE MOUNT
 KEY ORIENTATION _____
 3 = 1 KEY // 0°
 COLLET SIZE* _____
 30
 40
 50
 *SEE "COLLET SIZE CHART"
 CONTACT PLATING _____
 1 = 7µ" GOLD PLATED

POSITION CHART // ELECTRICAL/WIRE SPECIFICATIONS

*solder side view of insulator

POSITIONS	CONTACTS*	CONTACT Ø	MAX CONTACT mΩ	WORKING VOLTAGE	MAX AMPERAGE	MAX WIRE AWG
002		0.90mm	6.0 mΩ	330 V	10.0 A	22
003		0.90mm	6.0 mΩ	400 V	8.0 A	22
004		0.70mm	7.5 mΩ	280 V	7.0 A	24
005		0.70mm	7.5 mΩ	280 V	6.5 A	24
006		0.50mm	10.0 mΩ	280 V	2.5 A	28
007		0.50mm	10.0 mΩ	260 V	2.5 A	28
009		0.50mm	10.0 mΩ	200 V	2.0 A	28

COLLET SIZE CHART

COLLET SIZE:	WIRE DIAMETER:
30	2.50 ~ 3.20
40	3.30 ~ 4.20
50	4.30 ~ 5.20

RoHS COMPLIANT



THESE DRAWINGS AND SPECIFICATIONS ARE THE PROPERTY OF NorComp AND SHALL NOT BE REPRODUCED, COPIED OR USED AS THE BASIS FOR THE MANUFACTURE OR SALE OF APPARATUS WITHOUT WRITTEN PERMISSION.

DRAWN:
M. SIGMON

DATE:
02/03/2016

UNITS = mm

DO NOT SCALE FROM DRAWING

NorComp

SCALE: NTS SHEET 1 OF 1 REV 8

DWG NO. 820BYYY-173LYY1