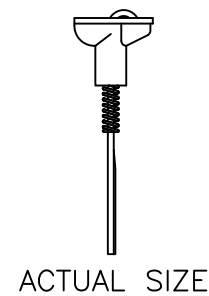
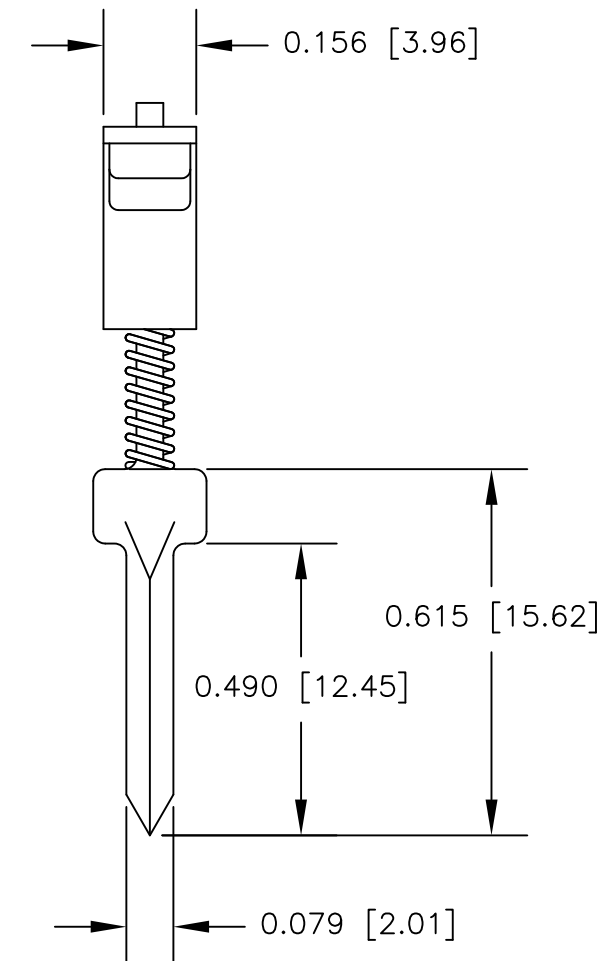
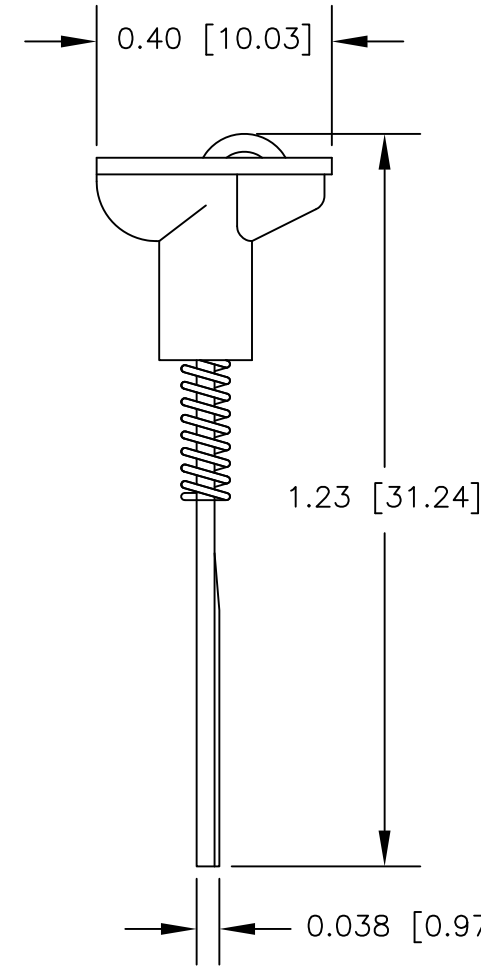
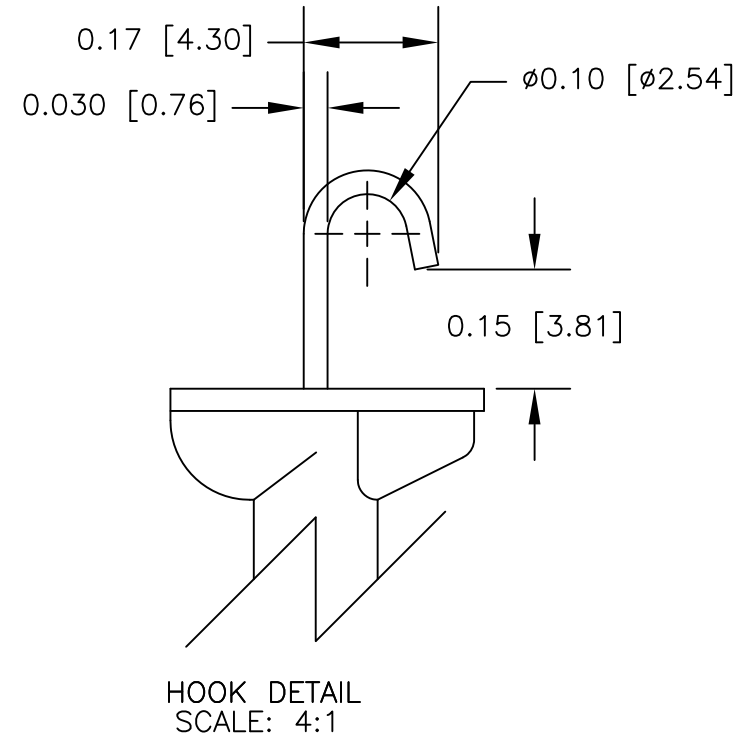


NOTES: UNLESS OTHERWISE SPECIFIED

- CONSTRUCTION:
 SLIDE: MOLDED NYLON. AVAILABLE IN TEN COLORS.
 CONTACT BLADE: NICKEL SILVER
 SPRING: STAINLESS STEEL
- PERFORMANCE:
 MAXIMUM CURRENT: 5 AMPS
 MAXIMUM VOLTAGE: 0 V
 MAXIMUM TEMPERATURE: 200°F (93°C)
- INSTALLATION TOOL P/N T-20

LTR	REVISIONS		DATE	APPROVED
	DESCRIPTION			



		UNLESS OTHERWISE SPECIFIED DIMENSIONS ARE IN INCHES TOLERANCES ARE: FRACTIONS DECIMALS ANGLES ± .XX ± ± .XXX ±	CONTRACT NO.		E-Z-HOOK DIVISION OF TEKTEST INC. ARCADIA, CA 91006 U.S.A.	
			APPROVALS	DATE		
		MATERIAL SEE NOTE.	DRAWN	R.L. 11/10	DESCRIPTION E-Z-NAILCLIP STD TEST TERMINAL	
			APPROVED BY			
		FINISH SEE NOTE.	SIZE	CODE IDENT NO.	DRAWING NO.	REV.
NEXT ASSY	USED ON		B	08505	81-1	
APPLICATION		DO NOT SCALE DRAWING	SCALE	3:1	SHEET 1 OF 1	