

CONFIDENTIAL. THE INFORMATION CONTAINED IN THIS DOCUMENT IS THE PROPERTY OF COOPER INDUSTRIES, INC. IT IS NOT FOR PUBLIC DISCLOSURE. POSSESSION OF THE INFORMATION DOES NOT CONVEY ANY RIGHT TO LOAN, SELL OR DISCLOSE THE INFORMATION. UNAUTHORIZED REPRODUCTION OR USE OF THE INFORMATION IS PROHIBITED. THIS DOCUMENT IS TO BE RETURNED TO COOPER INDUSTRIES, INC. UPON COMPLETION OF THE PURPOSE FOR WHICH IT IS LOANED OR UPON REQUEST.

COPYRIGHT Cooper Industries, Inc.
 This is an unpublished work. The disclosure of this work is limited to select personnel. Further dissemination or disclosure to the public is PROHIBITED. This unpublished work is protected by Federal Copyright law and all rights thereunder are reserved by Cooper Industries, Inc.

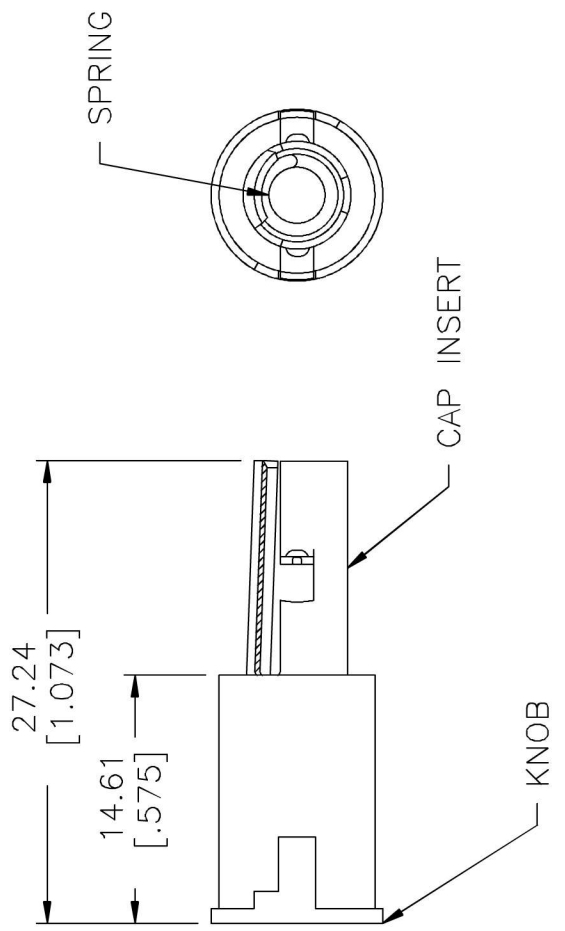
SCALE 2x	UNLESS OTHERWISE SPECIFIED TOLERANCES TO BE:	
	METRIC	±.13mm
	DECIMAL	±.005"
	ANGULAR	±2°
▲ (O) INDICATES CRITICAL DIMENSION OR FEATURE		
PAGE 1		

DATE 9-8-03	NO. 80910310	
TITLE FUZE CARRIER		
SUP. NO. 80910310	B	DATED 4-10-02
DWG. BAM	CK.	CHANGE C
ENG.	N03125	
COOPER Bussmann St. Louis, MO 63178		
DISTRIBUTION 53767	56	J

CUSTOMER PRINT

METRIC(mm)
INCHES

© REVISED & REDRAWN



FOR: HTB-XXM