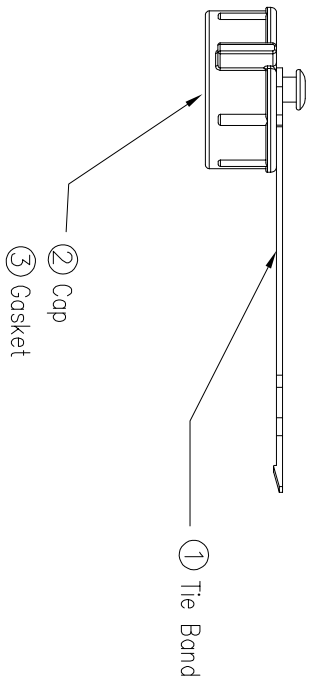
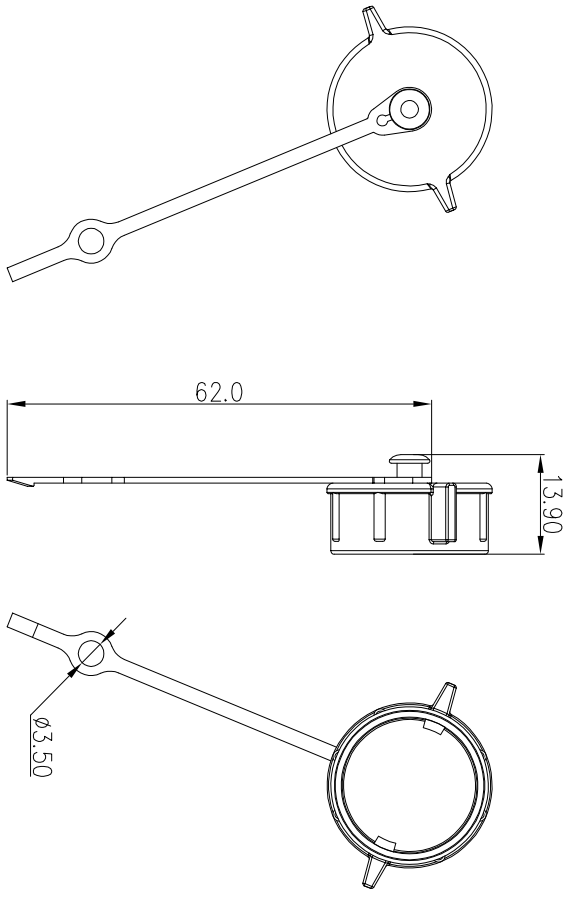


REV.	EQN NO.	DESCRIPTION	SIGN	DATE
C1	N/A	INITIAL DRAWING	liuchao	2019/07/19



Specification:
 1.* Important Dimension.
 2.RoHS Compliant.
 3.Gasket: Silicone
 4.Cap: Nylon+GF Black
 5.Tie Band: Nylon Black

CHOGORI

UNIT: mm	TITLE	ITEM NO	DRAWN BY	DATE
TOLERANCE	Large Push Lock Panel Waterproof Cap	806-00058-00	Liu	2019/07/19
±0.5	SCALE N/A	DWG NO	CHECKED BY	DATE
	SIZE A4		Mo	2019/07/19
	SHEET 1 OF 1	CUSTOMER	APPROVED BY	DATE
	* : Inspection Item		Panson	2019/07/19