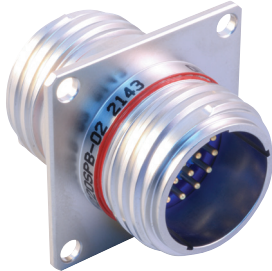


SERIES 805 TRIPLE-START ACME THREAD Mighty Mouse Connectors and Cables



Glass-to-Metal Seal Hermetic Bulkhead Feedthrough Connector



Series 805 Hermetic Feedthroughs represent the gold standard for hermetic connectors. Glass-to-metal seals provide a consistently reliable hermetic seal and provide a separable hermetic connection on both sides of a mounting panel. Available in shell sizes 8 to 23. Mates with all high density triple-start threaded connectors with the same polarization and opposite contact genders (805-001 and 805-002). Gold plated nickel-iron alloy contacts and compression glass dielectric material. Hermeticity less than 1×10^{-7} cc/second at 1 atmosphere. Stainless steel connector shell provides excellent corrosion resistance.

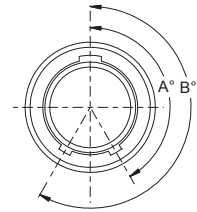
How To Order								
Sample Part Number	805-127	-07	Z1	15-37	P	S	A	-01
Series	805-127							
Shell Style (See Table I)	-02 = Box Mount -07 = Jam -Nut, Rear Panel Mount							
Shell Material and Finish	Z1 = Stainless Steel / Passivated ZL = Stainless Steel / Nickel Plated							
Shell Size - Insert Arrangement	See Contact Arrangements page J-6							
Contact Type Panel Side	P = Pin S = Socket							
Contact Type Behind Panel	P = Pin S = Socket							
Polarization	A = Pos. A B = Pos. B C = Pos. C D = Pos. D E = Pos. E F = Pos. F							
Panel Accommodation	01, 02, 03; See panel accommodation table							

NOTES

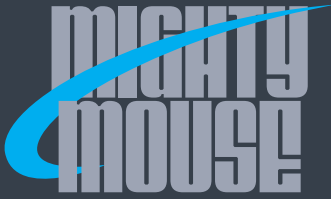
- Performance Test Criteria:
 - Hermeticity: less than 1×10^{-7} cc He/sec @ 1 atm delta
 - D.W.V.: per DWV rating table pin to pin or pin to shell without breakdown
 - I.R.: 5000 megohms @ 500 Vdc min
- For pin-pin or socket-socket feed-thru, power applied to one contact will result in power to the contact directly opposite, regardless of contact identification
- Feed-thru mates with Glenair 805 style plug connectors with same size, polarization, and opposite contact gender.
- Overall lengths will increase by approximately .50" for #8 contact arrangements
- Standard arrangements with signal/power contacts only. Consult factory for special contacts (Coax, Quadrx, Thermocouples, etc)
- See page J-11 for recommended panel cut-outs
- Material/Finish
 - Shell and jam-nut: CRES/see part number development
 - Contacts, pin: nickel-iron alloy/gold plate
 - Contacts, socket: copper alloy/gold plate
 - Hoods, socket: 300 CRES/passivate
 - Insulator, hermetic: full glass
 - Insulator, sockets: rigid dielectric
 - Seals and o-rings: fluorosilicone blend

Table I: Shell Style	
-07 Jam-Nut, Rear Panel Mount	-02 Square Flange

Table II: Keyway Positions		
Position	A°	B°
A	150°	210°
B	75°	210°
C	95°	230°
D	140°	275°
E	75°	275°
F	95°	210°



DWV Rating	
Contact Sizes	Test Voltage
23	750 Vac
20 HD	1000 Vac
20, 16, 12, 8	1800 Vac

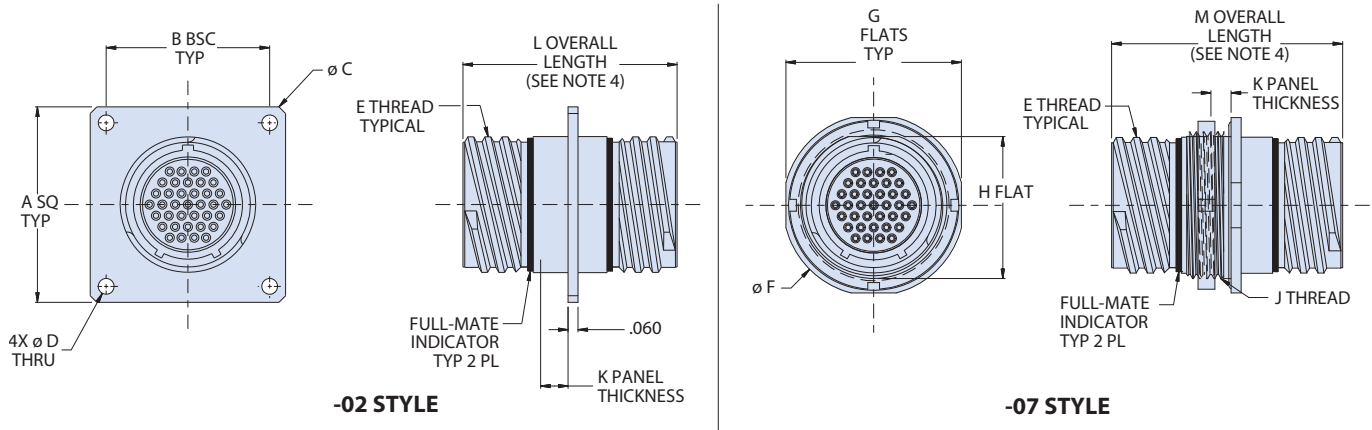


SERIES 805 TRIPLE-START ACME THREAD Mighty Mouse Connectors and Cables



Glass-to-Metal Seal Hermetic Bulkhead Feedthrough Connector

BOX MOUNT SHELL, STYLE 02 OR JAM-NUT REAR PANEL MOUNT, SHELL STYLE 07



Dimensions									
Shell Size	A Sq.	B Bsc	Ø C	Ø D Thru Holes	E Thread	Ø F	G Flat	H Flat	J Thread
8	.850 (21.59)	.660 (16.76)	1.150 (29.21)	.096 (2.44) .091 (2.31)	.5000-.1P-.3L-TS	.760 (19.30)	.730 (18.54)	.535 (13.59)	.5625-28 UN-2A
9	.913 (23.19)	.723 (18.36)	1.230 (31.24)	.096 (2.44) .091 (2.31)	.5625-.1P-.3L-TS	.880 (22.35)	.850 (21.59)	.661 (16.79)	.6875-28 UN-2A
10	.975 (24.76)	.785 (19.94)	1.330 (33.78)	.096 (2.44) .091 (2.31)	.6250-.1P-.3L-TS	.880 (22.35)	.850 (21.59)	.661 (16.79)	.6875-28 UN-2A
11	1.039 (26.39)	.848 (21.54)	1.410 (35.81)	.096 (2.44) .091 (2.31)	.6875-.1P-.3L-TS	.955 (24.26)	.925 (23.50)	.721 (18.31)	.7500-28 UN-2A
12	1.099 (27.91)	.909 (23.09)	1.500 (38.10)	.096 (2.44) .091 (2.31)	.7500-.1P-.3L-TS	1.060 (26.92)	1.035 (26.29)	.784 (19.91)	.8125-28 UN-2A
13	1.163 (29.54)	.973 (24.71)	1.590 (40.39)	.096 (2.44) .091 (2.31)	.8125-.1P-.3L-TS	1.120 (28.45)	1.090 (27.69)	.843 (21.41)	.8750-28 UN-2A
15	1.288 (32.72)	1.058 (26.87)	1.750 (44.45)	.130 (3.30) .126 (3.20)	.9375-.1P-.3L-TS	1.203 (30.56)	1.173 (29.79)	.970 (24.64)	1.0000-28 UN-2A
18	1.475 (37.47)	1.255 (31.88)	2.000 (50.80)	.130 (3.30) .126 (3.20)	1.1250-.1P-.3L-TS	1.389 (35.28)	1.359 (34.52)	1.147 (29.13)	1.1875-28 UN-2A
19	1.537 (39.04)	1.327 (33.71)	2.094 (53.19)	.130 (3.30) .126 (3.20)	1.1875-.1P-.3L-TS	1.450 (36.83)	1.420 (36.07)	1.221 (31.01)	1.2500-28 UN-2A
21	1.663 (42.24)	1.452 (36.88)	2.270 (57.66)	.130 (3.30) .126 (3.20)	1.3125-.1P-.3L-TS	1.580 (40.13)	1.550 (39.37)	1.350 (34.29)	1.3750-28 UN-2A
23	1.787 (45.39)	1.576 (40.03)	2.440 (61.98)	.130 (3.30) .126 (3.20)	1.4375-.1P-.3L-TS	1.705 (43.31)	1.675 (42.55)	1.470 (37.34)	1.5000-28 UN-2A

Panel Accomodation			
Sym	K Dim, Panel	L Dim, Oal	M Dim, Oal
-01	.125/.062	1.285 MAX	1.400 MAX
-02	.250/.062	1.410 MAX	1.525 MAX
-03	.500/.062	1.660 MAX	1.775 MAX

SERIES 805 TRIPLE-START ACME THREAD