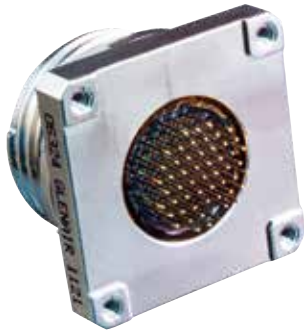


SERIES 805 TRIPLE-START ACME THREAD Mighty Mouse Connectors and Cables



Rear Panel Mount Jam-Nut Receptacle PCB Connector with PC Tails or Solder Cups



Series 805 Jam-Nut, Rear Panel Mount PC Tail or Solder Cup Receptacle features a choice of stainless steel or aluminum alloy shells. Threaded heli-coil (2-56 x .086) allows for direct board attachment. Available power and signal PC tail or solder cup contacts are gold plated copper alloy and non-removable. Integral .025 (0.64)

standoff allows for board washout. Choose PC tails for attachment to flexible or rigid boards. Select solder cups for direct wire attachment. Connector is back potted and parylene compatible. Mates with all triple start threaded high density series 805 plug connectors with the same polarization and opposite contact gender.

How To Order	
Sample Part Number	805-067 -07 M 8-23 P A
Series	805-067 = PCB Receptacle with Solder Cup or PC tail Contacts
Shell Style (See Table I)	-07 = Jam-Nut, Rear Panel Mount Receptacle with Non-Locking Heli-Coils -17 = Jam-Nut, Rear Panel Mount Receptacle with Self-Locking Heli-Coils
Shell Material and Finish	C = Aluminum / Black Anodize (Non-Conductive); RoHS Compliant M = Aluminum / Electroless Nickel; RoHS Compliant MT = Aluminum / Nickel-PTFE RoHS Compliant NF = Aluminum / Cadmium with Olive Drab Chromate ZNU = Aluminum / Zinc-Nickel with Black Chromate Z1 = Stainless Steel / Passivated; RoHS Compliant
Shell Size - Insert Arrangement	See Contact Arrangements Page J-6*
Contact Type	P = Pin, PC Tail E = Pin, Solder Cup S = Socket, PC Tail F = Socket, Solder Cup
Polarization (See Table II)	A = Normal B = Pos. B C = Pos. C D = Pos. D E = Pos. E F = Pos. F

*Power and signal contacts only. For shielded contact applications, consult factory.

Table I: Shell Style

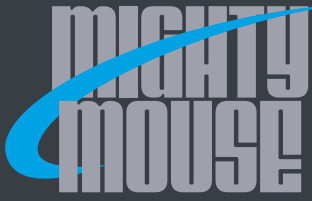
-07 Jam-Nut, Rear Panel Mount with Non-Locking Heli-Coils	-17 Jam-Nut, Rear Panel Mount with Self-Locking Heli-Coils

NOTES

1. Contacts are nonremoveable and connector is back potted
2. Connector receptacle mates with all series 805 triple start thread high density plug connectors with same polarization and opposite contact gender
3. For all #8 arrangements, add .227 (5.77) to overall length
4. See J-11 for panel cut-out dimensions

Table II: Keyway Positions

Position	A°	B°
A (Normal)	150°	210°
B	75°	210°
C	95°	230°
D	140°	275°
E	75°	275°
F	95°	210°

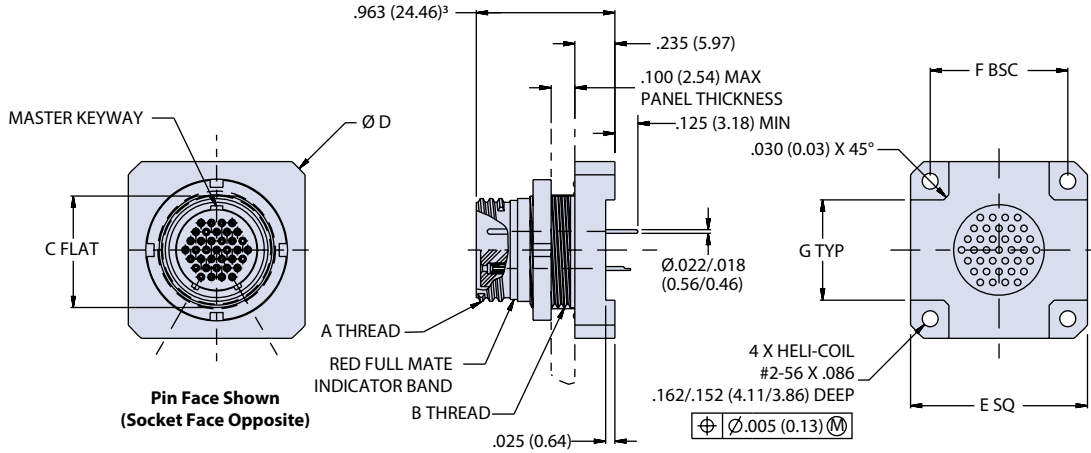


SERIES 805 TRIPLE-START ACME THREAD Mighty Mouse Connectors and Cables



Rear Panel Mount Jam-Nut Receptacle PCB Connector with PC Tails or Solder Cups

JAM-NUT, REAR PANEL MOUNT RECEPTACLE - SHELL STYLE 07



Dimensions							
Shell Size	A Thread	B Thread	C Flat	Ø D	E SQ	F BSC	G Typ
8	.5000-.1P-.3L-TS	.5625-28 UNEF-2A	.535 (13.59)	.920 (23.37)	.729 (18.52)	.496 (12.60)	.276 (7.01)
9	.5625-.1P-.3L-TS	.6875-28 UN-2A	.661 (16.79)	1.110 (28.19)	.859 (21.82)	.627 (15.93)	.407 (10.34)
10	.6250-.1P-.3L-TS	.6875-28 UN-2A	.661 (16.79)	1.110 (28.19)	.859 (21.82)	.627 (15.93)	.407 (10.34)
11	.6875-.1P-.3L-TS	.7500-28 UN-2A	.721 (18.31)	1.200 (30.48)	.930 (23.62)	.698 (17.73)	.478 (12.14)
12	.7500.1P-.3L-TS	.8125-28 UN-2A	.784 (19.91)	1.370 (34.80)	1.044 (26.52)	.812 (20.62)	.592 (15.04)
13	.8125-.1P-.3L-TS	.8750-28 UN-2A	.843 (21.41)	1.420 (36.07)	1.085 (27.56)	.853 (21.67)	.633 (16.08)
15	.9375.1P-.3L-TS	1.0000-28 UN-2A	.970 (24.64)	1.560 (39.62)	1.175 (29.85)	.943 (23.95)	.723 (18.36)
18	1.1250.1P-.3L-TS	1.1875-28 UN-2A	1.147 (29.13)	1.800 (45.72)	1.351 (34.32)	1.119 (28.42)	.899 (22.83)
19	1.1875-.1P-.3L-TS	1.2500-28 UN-2A	1.221 (31.01)	1.880 (47.75)	1.407 (35.74)	1.175 (29.85)	.955 (24.26)
21	1.3125-.1P-.3L-TS	1.3750-28 UN-2A	1.350 (34.29)	2.090 (53.09)	1.550 (39.37)	1.318 (33.48)	1.098 (27.89)
23	1.4375-.1P-.3L-TS	1.5000-28 UN-2A	1.470 (37.34)	2.270 (57.66)	1.680 (42.67)	1.448 (36.78)	1.228 (31.19)

Material and Finish

- Shell, jam-nut: aluminum alloy or SST / see how to order table
- Insulator: High Grade Rigid Dielectric / N.A.
- Interfacial seal, O-ring, peripheral seal: fluorosilicone / N.A.
- Contact: copper alloy / gold plate per ASTM B 488, Type II, Code C, Class 1.25, over suitable underplate
- Potting compound: epoxy / N.A.