

SERIES 805 TRIPLE-START ACME THREAD Mighty Mouse Connectors and Cables



PC Tail or Solder Cup Receptacle with Ground Pins

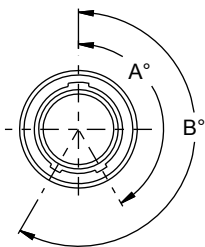


Series 805 PC Tail or Solder Cup Contacts Receptacle with Ground Pins

Connector features copper alloy, gold plated PC tails or solder cup contacts. Ground pins are pressed into the shell body to provide a direct grounding path from the connector shell to the PCB board creating a common ground path for the connector, the panel it is mounted against, and printed circuit board. Modified double-start stub ACME mating thread for improved protection against cross-mating and thread damage. Two shell styles available — rear panel mount jam-nut or front panel mount jam-nut available. PC tail contacts for attachment to flex or rigid circuit boards. Choose solder cups for connections between devices, PCB's and discrete instruments

How To Order	
Sample Part Number	805-054 -07 M 6-4 P A
Series	805-054 = PCB Receptacle with PC Tail or Solder Cup Contacts and Ground Pins
Shell Style	-00 = Jam-Nut, Front Panel Mount -07 = Jam-Nut, Rear Panel Mount
Material and Finish	C = Black Anodize M = Aluminum / Electroless Nickel NF = Aluminum / Cadmium with Olive Drab Chromate ZN = Aluminum / Zinc-Nickel Olive Drab over Electroless Nickel
Shell Size - Insert Arrangement	See Contact Arrangements page E-7
Contact Type	P = Pin, PC Tail E = Pin, Solder Cup S = Socket, PC Tail F = Socket, Solder Cup
Polarization (See Table I)	A = Normal B = Pos. B C = Pos. C D = Pos. D E = Pos. E F = Pos. F

Table I: Keyway Positions

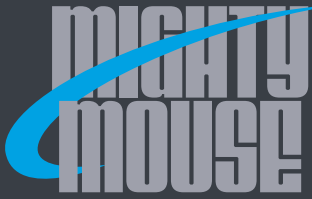


Position	A°	B°
A	150°	210°
B	75°	210°
C	95°	230°
D	140°	275°
E	75°	275°
F	95°	210°

NOTES

1. Contacts are non removable, the connector is back potted
2. This receptacle connector mates with all quick coupling high density plug connectors with same polarization and opposite contact gender (804-101, 804-002)
3. See page J-11 for panel cut-out dimensions
4. Material / finish:
 - Shell, jam-nut: aluminum alloy or CRES / N.A.
 - Insulator: high-grade rigid dielectric
 - Interfacial seal, O-ring: fluorosilicone
 - Contact, ground pins: copper alloy / gold plate per ASTM B 488, Type II, Code C, Class 1.25 (.00005 minimum thickness), over a suitable underplate
 - Potting compound: epoxy / N.A.

SERIES 805 TRIPLE-START ACME THREAD

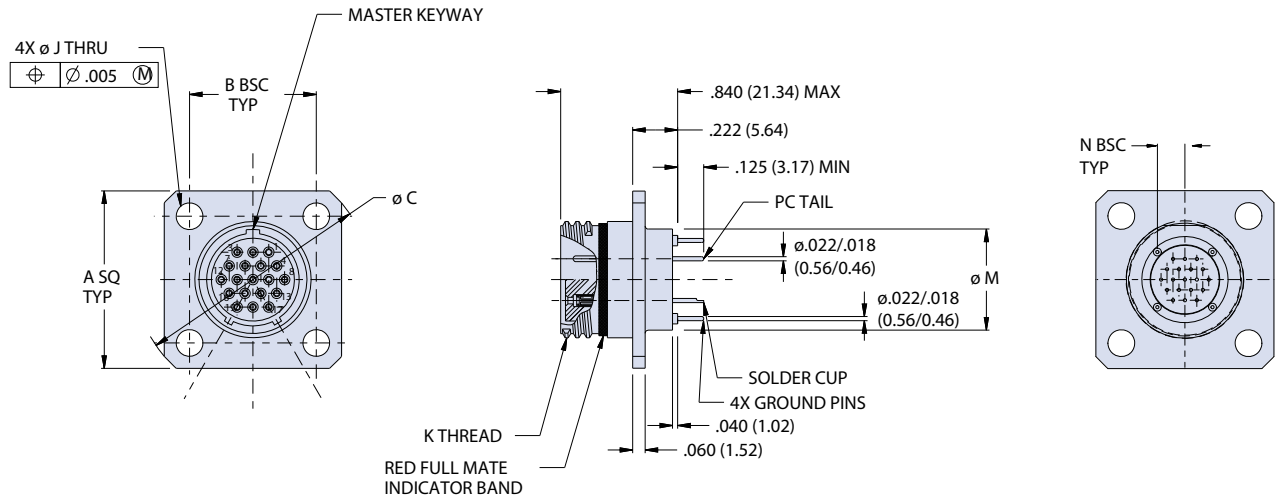


SERIES 805 TRIPLE-START ACME THREAD Mighty Mouse Connectors and Cables



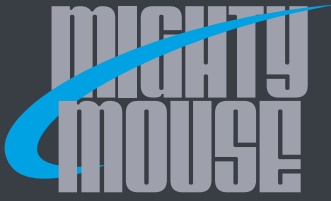
PC Tail or Solder Cup Receptacle with Ground Pins

JAM-NUT, REAR PANEL MOUNT RECEPTACLE - STYLE 07



DIMENSIONS							
SHELL SIZE	A SQ	B BSC	Ø C	J HOLES	K THREAD	Ø M	N BSC
8	0.850 (21.59)	0.660 (16.76)	1.150 (29.21)	0.096 (2.44) 0.091 (2.31)	.5000-.1P-.3L-TS	0.398	0.109
9	0.913 (23.19)	0.723 (18.36)	1.230 (31.24)		.5625-.1P-.3L-TS	0.486	0.147
10	0.975 (24.76)	0.785 (19.94)	1.330 (33.78)		.6250-.1P-.3L-TS	0.548	0.158
11	1.039 (26.39)	0.848 (21.54)	1.410 (35.81)		.6875-.1P-.3L-TS	0.606	0.179
12	1.099 (27.91)	0.909 (23.09)	1.500 (38.10)		.7500-.1P-.3L-TS	0.675	0.202
13	1.163 (29.54)	0.973 (24.71)	1.590 (40.39)		.8125-.1P-.3L-TS	0.716	0.222
15	1.288 (32.72)	1.058 (26.87)	1.750 (44.45)		.9375-.1P-.3L-TS	0.758	0.239
18	1.475 (37.47)	1.255 (31.88)	2.000 (50.80)	0.130 (3.30) 0.126 (3.20)	1.1250-.1P-.3L-TS	0.918	0.296
19	1.537 (39.04)	1.327 (33.71)	2.094 (53.19)		1.1875-.1P-.3L-TS	0.967	0.313
21	1.663 (42.24)	1.452 (36.88)	2.270 (57.66)		1.3125-.1P-.3L-TS	1.072	0.350
23	1.787 (45.39)	1.570 (39.88)	2.440 (61.98)		1.4375-.1P-.3L-TS	1.215	0.401

SERIES 805 TRIPLE-START ACME THREAD

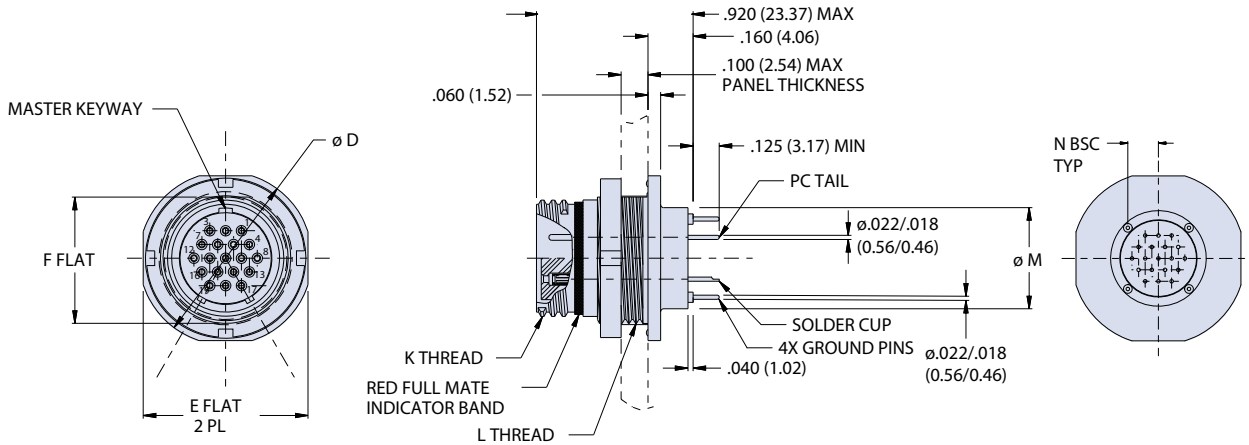


SERIES 805 TRIPLE-START ACME THREAD Mighty Mouse Connectors and Cables



PC Tail or Solder Cup Receptacle with Ground Pins

JAM-NUT, REAR PANEL MOUNT RECEPTACLE - STYLE 07



DIMENSIONS							
SHELL SIZE	ϕD	E FLAT	F FLAT	K THREAD	L THREAD	ϕM	N BSC
8	0.760 (19.30)	0.730 (18.54)	0.535 (13.59)	.5000-.1P-.3L-TS	.5625-.28 UNEF-2A	0.398	0.109
9	0.880 (22.35)	0.850 (21.59)	0.661 (16.79)	.5625-.1P-.3L-TS	.6875-.28 UN-2A	0.486	0.147
10	0.880 (22.35)	0.850 (21.59)	0.661 (16.79)	.6250-.1P-.3L-TS	.6875-.28 UN-2A	0.548	0.158
11	0.955 (24.26)	0.925 (23.50)	0.721 (18.31)	.6875-.1P-.3L-TS	.7500-.28 UN-2A	0.606	0.179
12	1.060 (26.92)	1.035 (26.29)	0.784 (19.91)	.7500-.1P-.3L-TS	.8125-.28 UN-2A	0.675	0.202
13	1.120 (28.45)	1.090 (27.69)	0.841 (21.36)	.8125-.1P-.3L-TS	.8750-.28 UN-2A	0.716	0.222
15	1.203 (30.56)	1.173 (29.79)	0.970 (24.64)	.9375-.1P-.3L-TS	1.0000-.28 UN-2A	0.758	0.239
18	1.389 (35.28)	1.359 (34.52)	1.147 (29.13)	1.1250-.1P-.3L-TS	1.1875-.28 UN-2A	0.918	0.296
19	1.450 (36.83)	1.420 (36.07)	1.221 (31.01)	1.1875-.1P-.3L-TS	1.2500-.28 UN-2A	0.967	0.313
21	1.580 (40.13)	1.550 (39.37)	1.348 (34.24)	1.3125-.1P-.3L-TS	1.3750-.28 UN-2A	1.072	0.350
23	1.705 (43.31)	1.675 (42.55)	1.470 (37.34)	1.4375-.1P-.3L-TS	1.5000-.28 UN-2A	1.215	0.401

SERIES 805 TRIPLE-START ACME THREAD