

PART NAME: KNOB SCALE: 1:1 DATE: 12/3/92 DR. BY HD

THIS DRAWING IS THE PROPERTY OF DAVIES MOLDING COMPANY, IS SUBMITTED SOLELY AS A DESIGN OR ENGINEERING PROJECT. WE ACCEPT NO RESPONSIBILITY WHATSOEVER FOR THE PRACTICAL APPLICATION OF THE PIECES MADE TO THIS DESIGN.



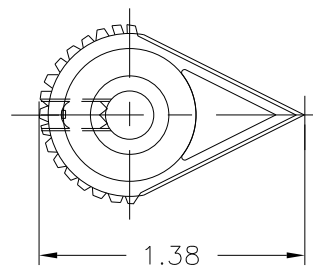
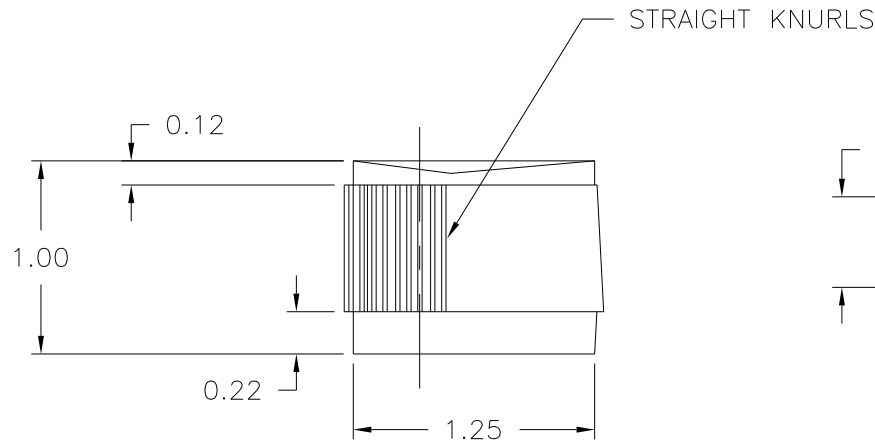
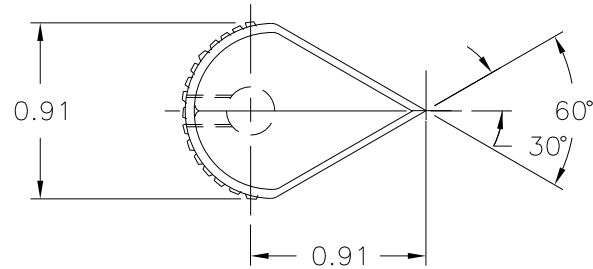
DESIGNERS & MANUFACTURERS OF KNOBS, HANDLES, CASES & CUSTOM PLASTIC COMPONENTS

P/N 8010

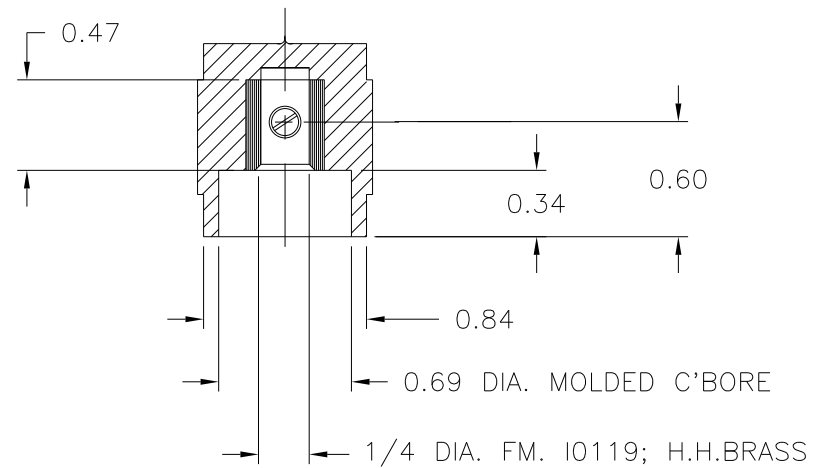
BASE PART 8010-01

SET SCREW I0357

CAD/REDRAWN : 12/3/92 : HD



C'SK; USE # 28 DR.(.140 DIA.); 8-32 TAP. # 8-32 X 1/4 LG. THD'D. CUP POINTED, HEADLESS, SLOTTED TYPE, SET SCREW I0357, ONE(1) REQ'D. AS SHOWN.



Ⓐ MATERIAL: 6/6 NYLON (BE4)
COLOR: BLACK

TOLERANCES: UNLESS OTHERWISE SPECIFIED	DO NOT SCALE DRAWING			
DECIMALS: X.XXX ± .005 X.XX ± .015	MM: X.XX ± 0.15MM X.X ± 0.4MM	-	UPDATED TOOLBOX	JAM 11/25/02
FRACTIONS ± 1/64	ANG. ± 1°	A	WAS ABS	JAM 2/21/00
CHANGES				