



DIN 22.5mm

Features :

- ON delay / Interval
- 12 Time ranges
- Universal supply voltage
- LED Indications : Power ON, Relay ON

Certifications :

Display specifications

LED Indications	Power ON, Relay ON
-----------------	--------------------

Input specifications

Accuracy	Setting : $\pm 5\%$ of F.S. Repeat : $\pm 0.5\%$ or 50msec (F.S. = Full scale)
----------	---

Output specifications

Relay contact	2 C/O SPDT
Contact rating	5A @ 250V AC / 24V DC resistive

Functional specifications

Modes	ON delay / Interval
Time ranges	0 - 1sec / min / hr 0 - 3sec / min / hr 0 - 10sec / min / hr 0 - 30sec / min / hr
Resolution	0.1sec
Reset	On power interruption Reset time < 100msec

Auxiliary supply specifications

Supply voltage	20 to 240V AC (50 / 60Hz) 12 to 240V DC
Power consumption	2VA max

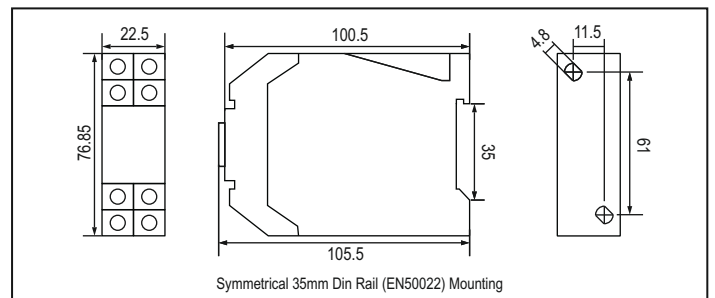
Environmental specifications

Temperature	Operating : 0 to 50°C (32 to 122°F) Storage : -20 to 75°C (-4 to 167°F)
Humidity (non - condensing)	95% RH

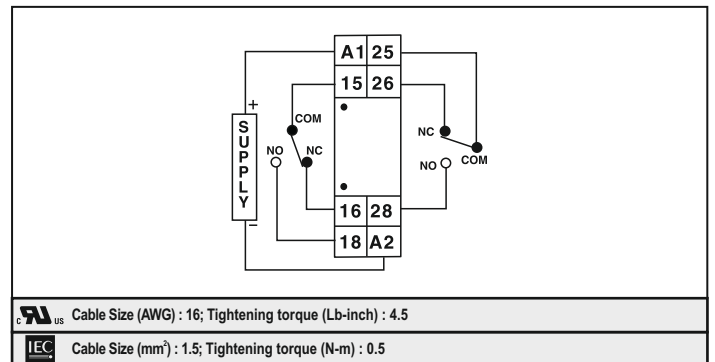
Mechanical specifications

Mounting	DIN Rail
Weight	115 gms

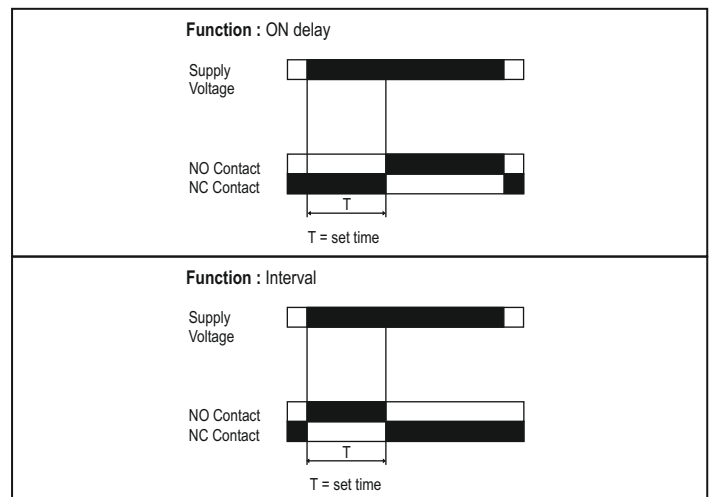
Dimensions (All are in mm)



Terminal connections



Timing diagram



Compliance

Applicable EMI / EMC standards		
Product standard		
Category	Reference standards	Testing level
Electrostatic discharge	IEC 61000-4-2	Level-3
Electrical fast Transient / Brust	IEC 61000-4-4	Level-3
Electromagnetic field	IEC 61000-4-3	Level-3
Surge	IEC 61000-4-5	Level-3
Conducted RF	IEC 61000-4-6	Level-2
Rated power frequency	IEC 61000-4-8	Level-4
Voltage dip / Short interruptions	IEC 61000-4-11	Level-3
Conducted emissions	CISPR-11	Class-B
Rated emissions	CISPR-22	Class-A
Emission & Immunity	IEC 61326-1	
Safety	IEC 61010-1	
PFMF (Passing criteria)	IEC 61000-4-8	Class A

Ordering information

Product code	Supply voltage	Certification
800XU-CU	20 to 240V AC 12 to 240V DC	CE 