

Product Summary

PART NUMBER	$V_{(BR)DS}$ Min (V)	$V_{(GS)th}$ Max (V)	$r_{DS(on)}$ Max (Ω)	C_{rss} Max (pF)	t_{ON} Max (ns)
SD211DE	30	1.5	45 @ $V_{GS}=10V$	0.5	2
SD213DE	10	1.5	45 @ $V_{GS}=10V$	0.5	2
SD215DE	20	1.5	45 @ $V_{GS}=10V$	0.5	2
SST211	30	1.5	50 @ $V_{GS}=10V$	0.5	2
SST213	10	1.5	50 @ $V_{GS}=10V$	0.5	2
SST215	20	1.5	50 @ $V_{GS}=10V$	0.5	2

Features

- Ultra-High Speed Switching— t_{ON} : 1ns
- Ultra-Low Reverse Capacitance: 0.2pF
- Low Guaranteed r_{DS} @5V
- Low Turn-On Threshold Voltage
- N-Channel Enhancement Mode

Benefits

- High-Speed System Performance
- Low Insertion Loss at High Frequencies
- Low Transfer Signal Loss
- Simple Driver Requirement
- Single Supply Operation

Applications

- Fast Analog Switch
- Fast Sample-and-Holds
- Pixel-Rate Switching
- DAC Deglitchers
- High-Speed Driver

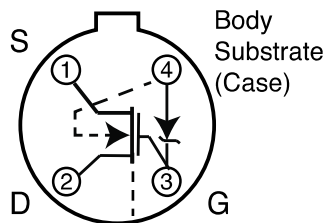
Description

The SD211DE/SST211 series consists of enhancement-mode MOSFETs designed for high-speed low-glitch switching in audio, video and high-frequency applications. The SD211 may be used for a ± 5 -V analog switching or as a high-speed driver of the SD214. The SD214 is normally used for ± 10 -V analog switching. These MOSFETs utilize lateral construction to achieve low capacitance and ultra-

fast switching speeds. An integrated ZENER diode provides ESD protection. These devices feature a poly-silicon gate for manufacturing reliability.

For similar products see: quad array—SD5000/5400 series, non-Zener protection—SD210DE/214DE.

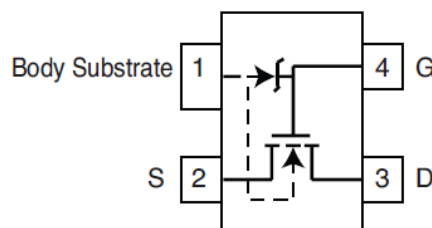
TO-206AF (TO-72 4L)



Top View

SD211DE, SD213DE, SD215DE

TO-253 (SOT-143 4L)



Top View

SST211, SST213, SST215

SD-SST211/213/215

N-Channel Lateral DMOS Switch, Zener Protected

Absolute Maximum Ratings ($T_A = 25^\circ\text{C}$ unless otherwise noted)

Gate Drain, Gate Source Voltage	(SD211DE/SST211).....-30/25V (SD213DE/SST213).....-15/25V (SD215DE/SST215).....-25/30V	Drain-Substrate Voltage	(SD211DE/SST211).....30V (SD213DE/SST213).....15V (SD215DE/SST215).....25V
Gate-Substrate Voltage ^a	(SD211DE/SST211).....-0.3/25V (SD213DE/SST213).....-0.3/25V (SD215DE/SST215).....-0.3/30V	Source-Substrate Voltage	(SD211DE/SST211).....15V (SD213DE/SST213).....15V (SD215DE/SST215).....25V
Drain-Source Voltage	(SD211DE/SST211).....30V (SD213DE/SST213).....10V (SD215DE/SST215).....20V	Drain Current50mA
Voltage	(SD211DE/SST211).....10V (SD213DE/SST213).....10V (SD215DE/SST215).....20V	Lead Temperature (1/16" from case for 10 seconds)300°C
		Storage Temperature-65 to 150°C
		Operating Junction Temperature-55 to 125°C
		Power Dissipation300mW

Notes:

a. Derate 3mW/°C above 25°C

Specifications^a

PARAMETER	SYMBOL ^b	TEST CONDITIONS ^b	TYP ^b	LIMITS						UNIT	
				211 Series		213 Series		215 Series			
				Min	Max	Min	Max	Min	Max		
Static											
Drain - Source Breakdown Voltage	$V_{(BR)DS}$	$V_{GS} = V_{BS} = 0V, I_D = 10 \mu A$	35	30						V	
		$V_{GS} = V_{BS} = -5V, I_D = 10 nA$	30	10		10		20			
Source - Drain Breakdown Voltage	$V_{(BR)SD}$	$V_{GS} = V_{BD} = -5V, I_S = 10 nA$	22	10		10		20			
Drain - Substrate Breakdown Voltage	$V_{(BR)DBO}$	$V_{GB} = 0V, I_D = 10 nA$ Source Open	35	15		15		25			
Source - Substrate Breakdown Voltage	$V_{(BR)SBO}$	$V_{GB} = 0V, I_S = 10 \mu A$ Drain Open	35	15		15		25			
Drain - Source Leakage	$I_{DS(off)}$	$V_{GS} = V_{BS} = -5V$			10		10			nA	
Source - Drain Leakage	$I_{SD(off)}$	$V_{GD} = V_{BD} = -5V$	$V_{DS} = 10V$	0.4					10		
			$V_{SD} = 10V$	0.5		10		10			
Gate Leakage	I_{GBS}	$V_{DB} = V_{SB} = 0V, V_{GB} = 30V$	0.01		100		100		100		
Threshold Voltage	$V_{GS(th)}$	$V_{DS} = V_{GS}, I_D = 1 \mu A,$ $V_{SB} = 0V$	0.8	0.5	1.5	0.1	1.5	0.1	1.5	V	
Drain - Source On-Resistance	$r_{DS(on)}$	$V_{SB} = 0V$ $I_D = 1mA$	$V_{GS} = 5V$ (SD Series)	58		70		70		70	Ω
			$V_{GS} = 5V$ (SST Series)	60		75		75		75	
			$V_{GS} = 10V$ (SD Series)	38		45		45		45	
			$V_{GS} = 10V$ (SST Series)	40		50		50		50	
			$V_{GS} = 15V$	30							
			$V_{GS} = 20V$	26							
			$V_{GS} = 25V$	24							

SD-SST211/213/215

N-Channel Lateral DMOS Switch, Zener Protected

Specifications^a

PARAMETER	SYMBOL ^b	TEST CONDITIONS ^b	TYP ^c	LIMITS						UNIT	
				211 Series		213 Series		215 Series			
				Min	Max	Min	Max				
Dynamic											
Forward Transconductance	g_{fs}	$V_{DS} = 10V, V_{SB} = 0V, I_D = 20mA, f = 1kHz$	SD Series	11	10		10		10		mS
	g_{os}		SST Series	10.5	9		9		9		
			All	0.9							
Gate Node Capacitance	$C_{(GS+GD+GB)}$	$V_{DS} = 10V, f = 1MHz, V_{GS} = V_{BS} = -15V$	SD Series	2.5		3.5		3.5		3.5	pF
Drain Node Capacitance	$C_{(GD+DB)}$			1.1		1.5		1.5		1.5	
Source Node Capacitance	$C_{(GS+SB)}$			3.7		5.5		5.5		5.5	
Reverse Transfer Capacitance	C_{rss}			SST Series	4.2						
			SD Series	0.2		0.5		0.5		0.5	
Switching											
Turn-On Time	$t_{D(on)}$	SD Series Only $V_{SB} = 0V, V_{IN} 0 \text{ to } 5V, R_G = 25\Omega, V_{DD} = 5V, R_L = 680\Omega$		0.5		1		1		1	ns
	t_r			0.6		1		1		1	
Turn-Off Time	$t_{D(off)}$			2							
	t_f			6							

Notes:

- $T_A = 25^\circ C$ unless otherwise notes.
- B is the body (substrate) and $V_{(BR)}$ is breakdown voltage.
- Typical values are for DESIGN AID ONLY, not guaranteed nor subject to production testing.

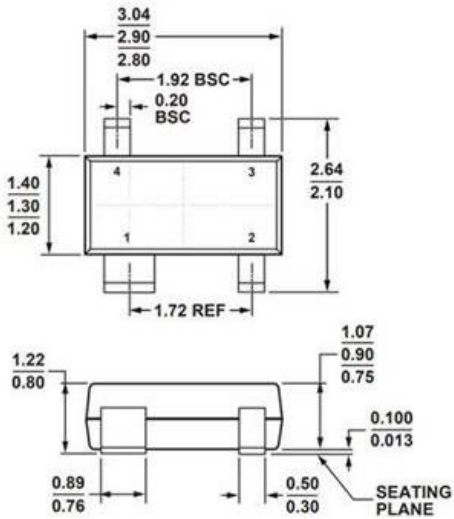
Information furnished by Linear Integrated Systems is believed to be accurate and reliable. However, no responsibility is assumed for its use; nor for any infringement of patents or other rights of third parties which may result from its use. No license is granted by implication or otherwise under any patent or patent rights of Linear Integrated Systems.

SD-SST211/213/215

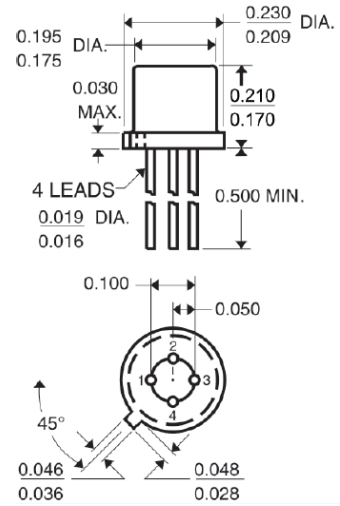
N-Channel Lateral DMOS Switch, Zener Protected

Package Dimensions:

TO-253 (SOT-143 4L)



TO-206AF (TO-72 4L)



Ordering Information:

Standard Part Call-Out	Custom Part Call-Out (Custom Parts Include SEL + 4 Digit Numeric Code)
SD211DE TO-72 4L RoHS	SD211DE TO-72 4L RoHS SELXXX
SD213DE TO-72 4L RoHS	SD213DE TO-72 4L RoHS SELXXX
SD215DE TO-72 4L RoHS	SD215DE TO-72 4L RoHS SELXXX
SST211 SOT-143 4L RoHS	SST211 SOT-143 4L RoHS SELXXX
SST213 SOT-143 4L RoHS	SST213 SOT-143 4L RoHS SELXXX
SST215 SOT-143 4L RoHS	SST215 SOT-143 4L RoHS SELXXX