



Molded-plastic enclosure for surface mounting with EMERGENCY-STOP rotary operating mechanism 72 mm, with metric cable gland No UL/CSA approval

General technical data		
product designation		ISO surface-mounted housing with EMERGENCY OFF
design of the product		Assembly
material of the enclosure		plastic
protection class IP of the enclosure		IP55
product component transparent cover		No
Installation/ mounting/ dimensions		
width	mm	105
height	mm	155
depth	mm	126

Certificates/ approvals			
General Product Approval	Declaration of Conformity	Test Certificates	Marine / Shipping

[Confirmation](#)



[Special Test Certificate](#)



Marine / Shipping	other	Railway
-------------------	-------	---------



[Miscellaneous](#)

[Confirmation](#)



[Special Test Certificate](#)

Further information

Information- and Downloadcenter (Catalogs, Brochures,...)

<https://www.siemens.com/ic10>

Industry Mall (Online ordering system)

<https://mall.industry.siemens.com/mall/en/en/Catalog/product?mlfb=3RV1923-1GA00>

Cax online generator

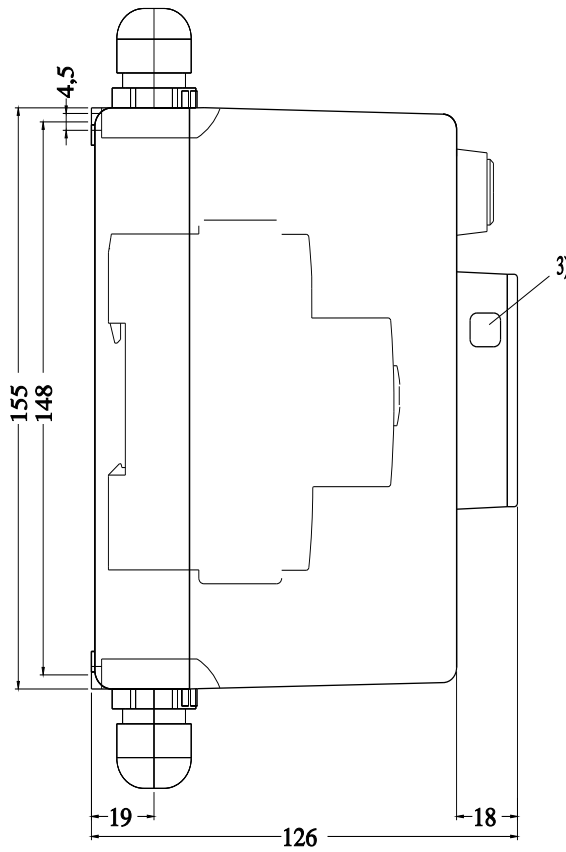
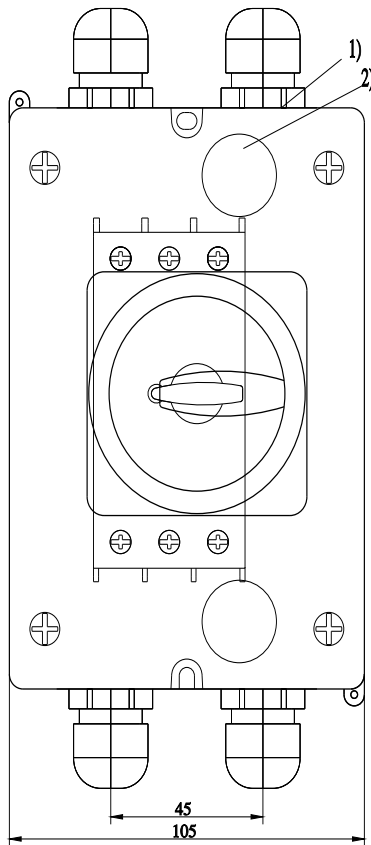
<http://support.automation.siemens.com/WW/CAXorder/default.aspx?lang=en&mlfb=3RV1923-1GA00>

Service&Support (Manuals, Certificates, Characteristics, FAQs,...)

<https://support.industry.siemens.com/cs/ww/en/ps/3RV1923-1GA00>

Image database (product images, 2D dimension drawings, 3D models, device circuit diagrams, EPLAN macros, ...)

http://www.automation.siemens.com/bilddb/cax_de.aspx?mlfb=3RV1923-1GA00&lang=en



- 1) Ausbrechoeffnung fuer Verschraubung M25
- 2) Ausbrechoeffnung fuer ruckseitige Leitungseinfuehrung
- 3) Oeffnung fuer Vorhaengeschloss mit Buegeldurchmesser max. 8 mm

last modified:

12/23/2020 