



Main

| | |
|---------------------------|---|
| Range of Product | Modicon TM5 |
| Product or Component Type | Counter module |
| Function of module | 2 x 24 V DC RS422 sink auxiliary inputs 24 V DC encoder power supply |
| Discrete input number | 1 |
| Counting frequency | 250 kHz |
| Encoder type | 1 incremental encoder |

Complementary

| | |
|--------------------------------|--|
| Range Compatibility | Modicon LMC058 Modicon M258 |
| Product Compatibility | Motion controller Logic controller |
| Counter inputs resolution | 16 bits/32 bits |
| Maximum cycle time | 2 ms |
| Input compatibility | 1 incremental encoder (5 V) |
| Isolation | 500 Vrms AC insulation between channel and bus |
| Discrete input logic | Sink |
| Discrete input voltage | 24 V DC |
| Discrete input current | 3.3 mA 24 V |
| Input resistance | 7.19 kOhm |
| Input filtering | <= 200 ms |
| Current consumption | 2 mA 5 V DC bus 63 mA 24 V DC input/output |
| Maximum power dissipation in W | 1.51 W |
| Marking | CE |

Environment

| | |
|---------------------------------------|--|
| Standards | UL 508 CSA C22.2 No 142 CSA C22.2 No 213 IEC 61131-2 |
| Product Certifications | CULus C-tick GOST-R CSA |
| Ambient air temperature for operation | 32...131 °F (0...55 °C) without derating horizontal installation) 32...140 °F (0...60 °C) with derating factor horizontal installation) 32...122 °F (0...50 °C) vertical installation) |
| Ambient Air Temperature for Storage | -13...158 °F (-25...70 °C) |
| Relative humidity | 5...95 % without condensation |
| IP degree of protection | IP20IEC 61131-2 |
| Pollution degree | 2 IEC 60664 |
| Operating altitude | 0...6561.68 ft (0...2000 m) |
| Storage altitude | 0.00...9842.52 ft (0...3000 m) |

| | |
|---------------------------------------|---|
| Vibration resistance | 1 gn 8.4...150 Hz DIN rail 3.5 mm 5...8.4 Hz DIN rail |
| Shock resistance | 15 gn 11 ms |
| Resistance to electrostatic discharge | 4 KV on contact EN/IEC 61000-4-2 8 kV in air EN/IEC 61000-4-2 |
| Resistance to electromagnetic fields | 0.91 V/M (1 V/m) 2...2.7 GHz EN/IEC 61000-4-3 9.14 V/m (10 V/m) 80...2000 MHz EN/IEC 61000-4-3 |
| Resistance to fast transients | 1 KV EN/IEC 61000-4-4 I/O) 1 KV EN/IEC 61000-4-4 shielded cable) 2 kV EN/IEC 61000-4-4 power lines) |
| Surge withstand | 0.5 KV differential mode EN/IEC 61000-4-5 1 kV common mode EN/IEC 61000-4-5 |
| Electromagnetic compatibility | EN/IEC 61000-4-6 |
| Disturbance radiated/conducted | CISPR 11 |

Ordering and shipping details

| | |
|-----------------------|------------------|
| Category | 22532-M258 PLC |
| Discount Schedule | PC12 |
| GTIN | 3595864074832 |
| Nbr. of units in pkg. | 1 |
| Package weight(Lbs) | 1.41 oz (40.0 g) |
| Returnability | No |
| Country of origin | AT |

Packing Units

| | |
|------------------------------|------------------------|
| Unit Type of Package 1 | PCE |
| Package 1 Height | 0.79 in (2 cm) |
| Package 1 width | 2.36 in (6 cm) |
| Package 1 Length | 4.13 in (10.5 cm) |
| Unit Type of Package 2 | S02 |
| Number of Units in Package 2 | 97 |
| Package 2 Weight | 8.97 lb(US) (4.067 kg) |
| Package 2 Height | 5.91 in (15 cm) |
| Package 2 width | 11.81 in (30 cm) |
| Package 2 Length | 15.75 in (40 cm) |

Offer Sustainability

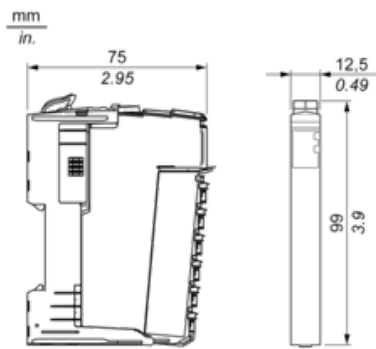
| | |
|----------------------------|---|
| Sustainable offer status | Green Premium product |
| California proposition 65 | WARNING: This product can expose you to chemicals including: Lead and lead compounds, which is known to the State of California to cause cancer and birth defects or other reproductive harm. For more information go to www.P65Warnings.ca.gov |
| REACH Regulation | REACH Declaration |
| REACH free of SVHC | Yes |
| EU RoHS Directive | Pro-active compliance (Product out of EU RoHS legal scope) EU RoHS Declaration |
| Toxic heavy metal free | Yes |
| Mercury free | Yes |
| RoHS exemption information | Yes |
| China RoHS Regulation | China RoHS Declaration |
| Environmental Disclosure | Product Environmental Profile |
| Circularity Profile | End Of Life Information |
| WEEE | The product must be disposed on European Union markets following specific waste collection and never end up in rubbish bins. |
| PVC free | Yes |

Contractual warranty

| | |
|----------|-----------|
| Warranty | 18 months |
|----------|-----------|

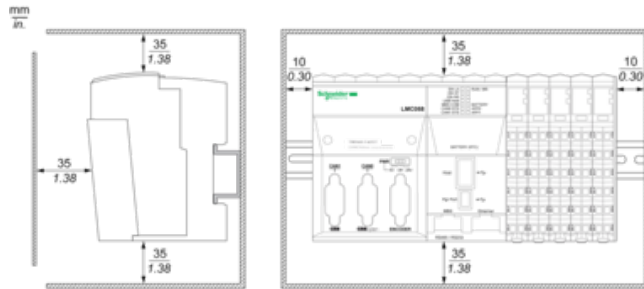
TM5 Slice

Dimensions

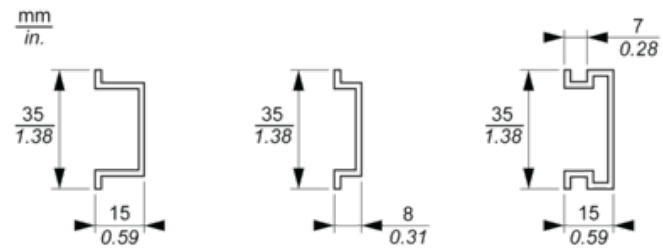


TM5 System

Spacing Requirements

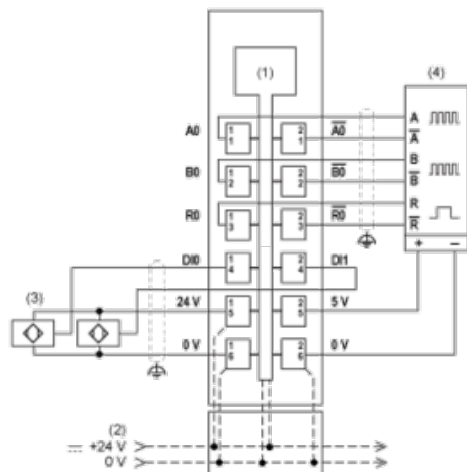


Mounting on a DIN Rail



Electronic Module 1 HSC INC 250 KHz

Wiring Diagram



- 1 Internal electronics
- 2 24 Vdc I/O power segment integrated into bus base
- 3 3-wire sensor
- 4 Encoder