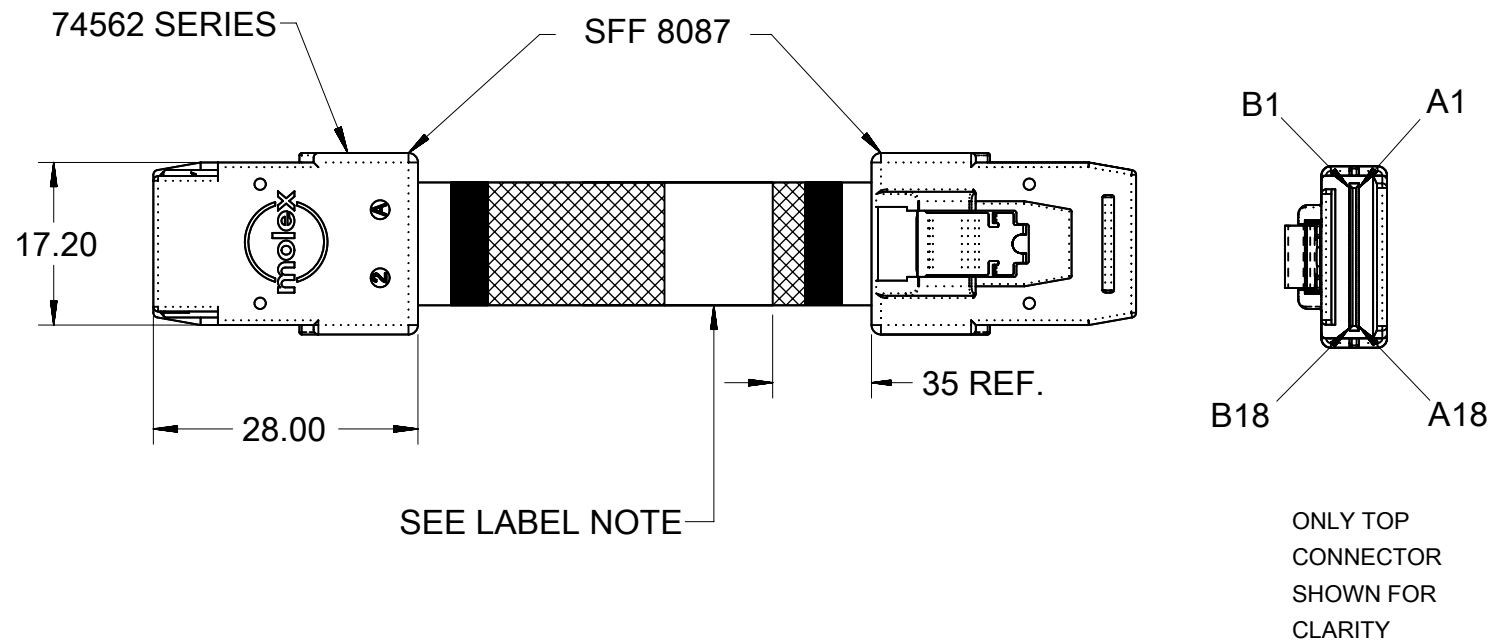
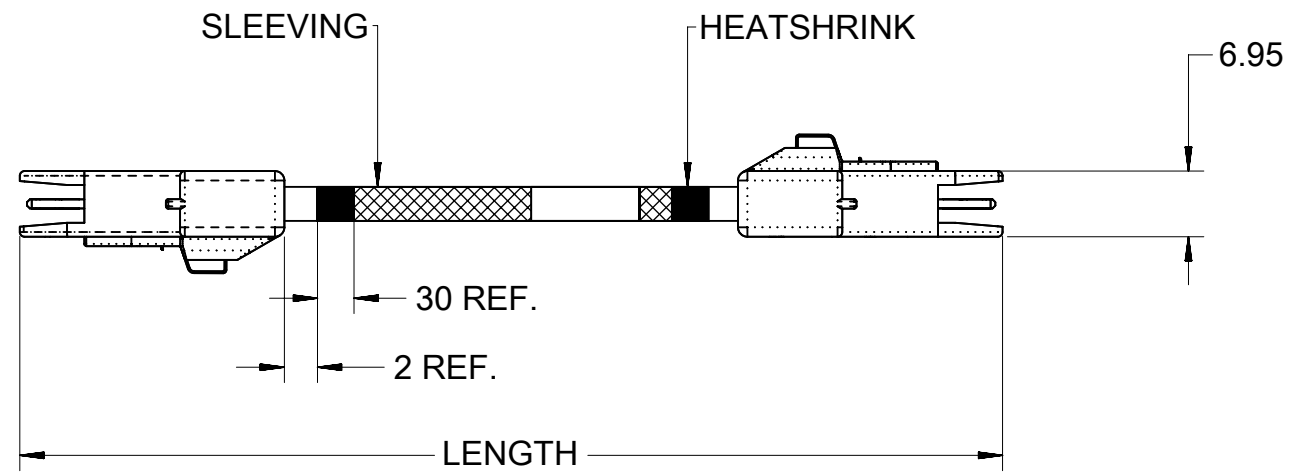


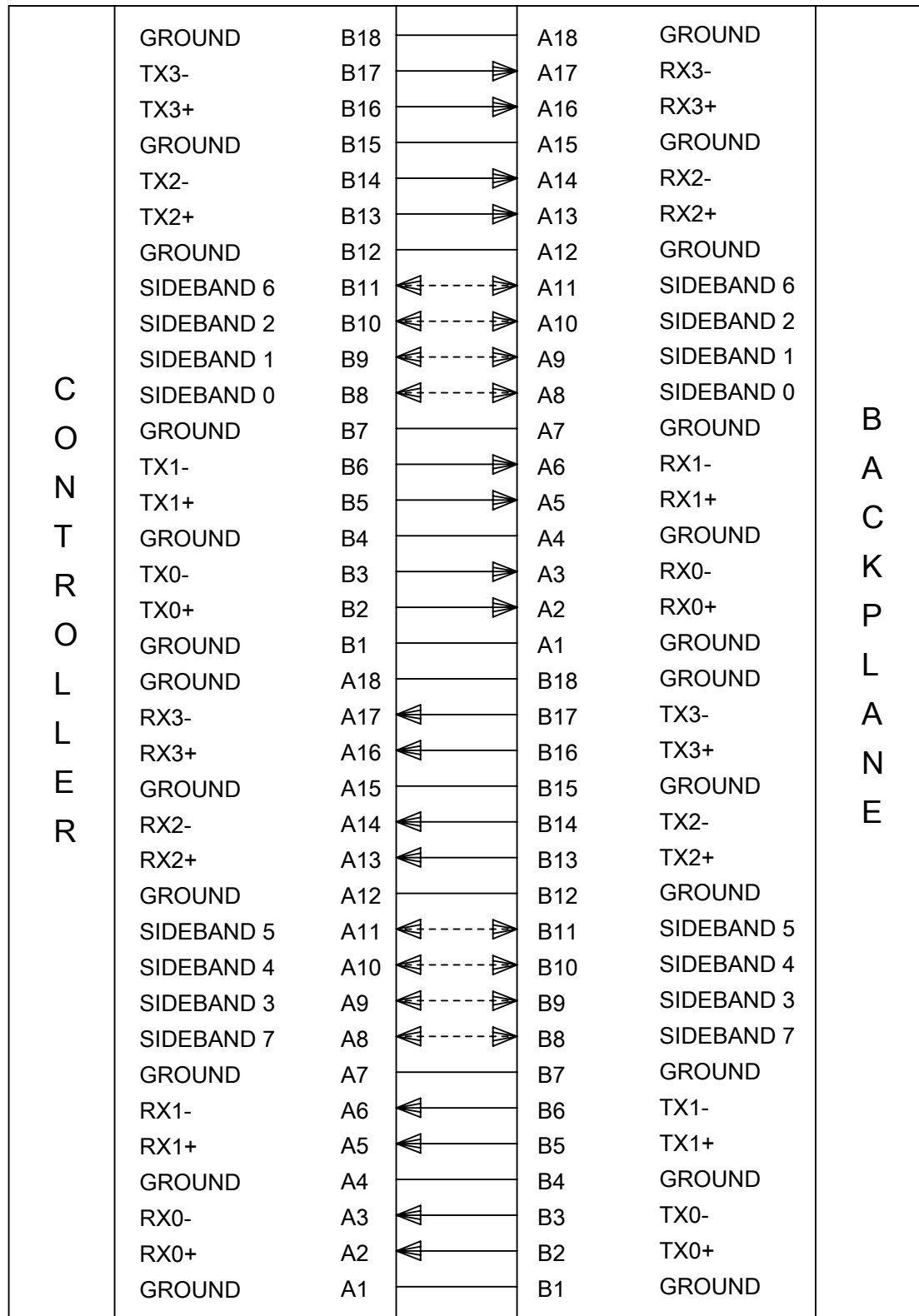
MOLEX P/N	SIDEBANDS	APPLICATION	SLEEVING	AWG	LENGTH(M)	TOL(+/-)	PIN OUT
795762100	YES	Ctrl to BP	YES	30	0.152	0.015	PIN OUT 1
795762102	YES	Ctrl to BP	YES	30	0.5	0.015	PIN OUT 1
795762103	YES	Ctrl to BP	YES	30	0.6	0.015	PIN OUT 1
795762107	YES	Ctrl TO BP	YES	30	0.225	0.015	PIN OUT 1
795762110	YES	Ctrl to CTRL	YES	30	0.152	0.015	PIN OUT 2
795762111	YES	Ctrl to CTRL	YES	30	0.3	0.015	PIN OUT 2
795762112	YES	Ctrl to CTRL	YES	30	0.5	0.015	PIN OUT 2
795762121	NO	N/A	YES	30	0.3	0.015	PIN OUT 3
795762122	NO	N/A	YES	30	0.5	0.015	PIN OUT 3
795762141	NO	N/A	YES	28	1.1	0.01	PIN OUT 3
795762142	NO	N/A	YES	28	2.1	0.01	PIN OUT 3
795762012	YES	Ctrl to CTRL	NO	30	0.5	0.015	PIN OUT 2



- NOTES:
- MATERIAL:
 - OVER MOLD - POLYBUTYLENE TEREPHTHALATE (PBT), 94-V0, GLASS FILLED 30%.
 - LATCH - STAINLESS STEEL ALLOY.
 - CABLE -
 - SIGNALS PVC INSULATION
 - SOLID COPPER SIGNAL AND DRAIN.
 - INNER DIELECTRIC IS POLYOLEFIN
 - TWIN-AX SHIELD IS ALUMINIZED POLYESTER FOIL.
 - JACKET - PVC RED
 - PCB - FR4
 - PRODUCT TO PERFORM PER
 - PRODUCT SPECIFICATION: PS-75783-001.
 - PRODUCT MATES TO 75783 (RIGHT ANGLE) AND 75784 (VERTICAL) SERIES.
 - THIS PRODUCT CONFORMS TO THE MECHANICAL DIMENSIONING AND ELECTRICAL PERFORMANCE REQUIREMENTS OF SFF-8087.
 - MINIMUM RECOMMENDED BEND RADIUS 28 MM.
 - THIS PRODUCT MEETS THE RESTRICTION OF HAZARDOUS SUBSTANCES IN ELECTRICAL AND ELECTRONIC EQUIPMENT (RoHS) DIRECTIVE (2002/95/EC)
 - LABEL INFO.
 - MOLEX
 - <<PART NUMBER>>
 - MADE IN XXXX (XXXX: MANUFACTURING LOCATION: US/ CHINA/ PHILIPPINES)
 - WW/YY

IPASS™ IS A TRADEMARK OF MOLEX.

THIS DRAWING CONTAINS INFORMATION THAT IS PROPRIETARY TO MOLEX ELECTRONIC TECHNOLOGIES, LLC AND SHOULD NOT BE USED WITHOUT WRITTEN PERMISSION											
DIMENSION UNITS		SCALE		CURRENT REV DESC: OBSOLETE PART NO							
MM/IN		NTS									
GENERAL TOLERANCES (UNLESS SPECIFIED)				EC NO: 628455		DRWN: VLOKESHA		2019/12/03		IPASS (MINI-SAS)	
				DRWN: JERWIN		2006/04/25		2006/04/25		INTERNAL CABLE 36 CKT 4X W/ SIDEBANDS	
4 PLACES ±				CHK'D: GB		2019/12/04		2020/01/13		PRODUCT CUSTOMER DRAWING	
3 PLACES ±				APPR: GGA		2020/01/13				DOCUMENT NUMBER	
2 PLACES ±				INITIAL REVISION:						SD-79576-200	
1 PLACE ±				DRWN: JERWIN		2006/04/25		2006/04/25		DOC TYPE	
0 PLACES ±				APPR: DDOYE		2006/04/25				DOC PART	
ANGULAR TOL ± 1.0°				DRAFT WHERE APPLICABLE MUST REMAIN WITHIN DIMENSIONS		THIRD ANGLE PROJECTION		DRAWING		REVISION	
						A3-SIZE		SERIES		SHEET NUMBER	
						79576		MATERIAL NUMBER		CUSTOMER	
								SEE TABLE		GENERAL MARKET	
										1 OF 4	



NOTE:

1. PINOUT CONFORMS TO SAS 1.1 9.0D SECTION 5.2.4.1.2.3
2. ALL SIGNAL GROUNDS ARE BUSSED IN PCB.

IPASS™ IS A TRADEMARK OF MOLEX

THIS DRAWING CONTAINS INFORMATION THAT IS PROPRIETARY TO MOLEX ELECTRONIC TECHNOLOGIES, LLC AND SHOULD NOT BE USED WITHOUT WRITTEN PERMISSION											
DIMENSION UNITS		SCALE		CURRENT REV DESC: OBSOLETE PART NO							
MM/IN		NTS									
GENERAL TOLERANCES (UNLESS SPECIFIED)				EC NO: 628455		DRWN: VLOKESHA		2019/12/03		IPASS (MINI-SAS)	
				CHK'D: GB		2019/12/04		INTERNAL CABLE 36 CKT 4X W/ SIDEBANDS			
				APPR: GGA		2020/01/13		PRODUCT CUSTOMER DRAWING			
				INITIAL REVISION:				DOCUMENT NUMBER		DOC TYPE	
				DRWN: JERWIN		2006/04/25		SD-79576-200		PSD	
				APPR: DDOYE		2006/04/25		001		P1	
DRAFT WHERE APPLICABLE MUST REMAIN WITHIN DIMENSIONS				THIRD ANGLE PROJECTION		DRAWING		SERIES		MATERIAL NUMBER	
						A3-SIZE		79576		SEE TABLE	
						GENERAL MARKET		CUSTOMER		SHEET NUMBER	
								GENERAL MARKET		2 OF 4	

F

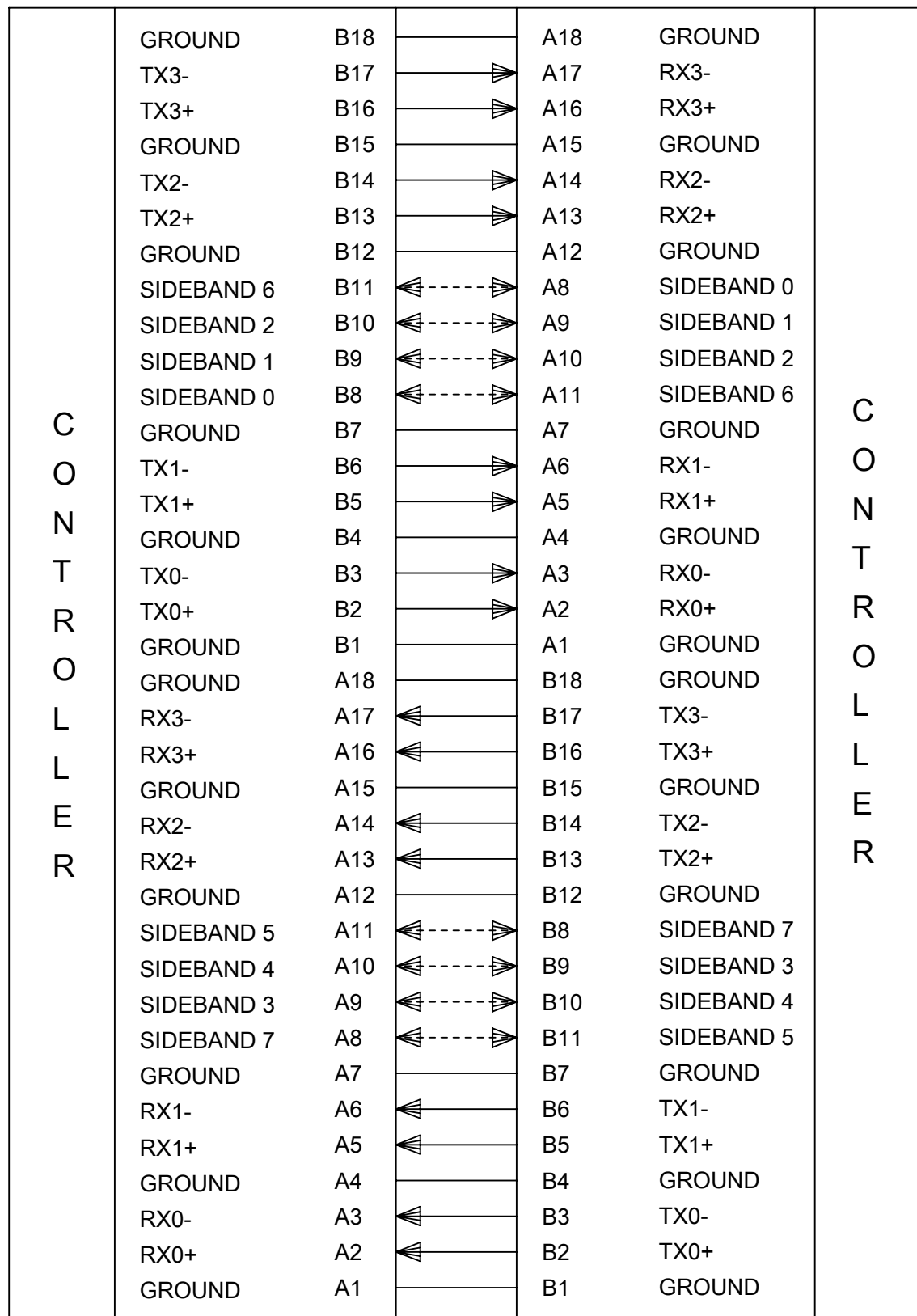
E

D

C

B

A



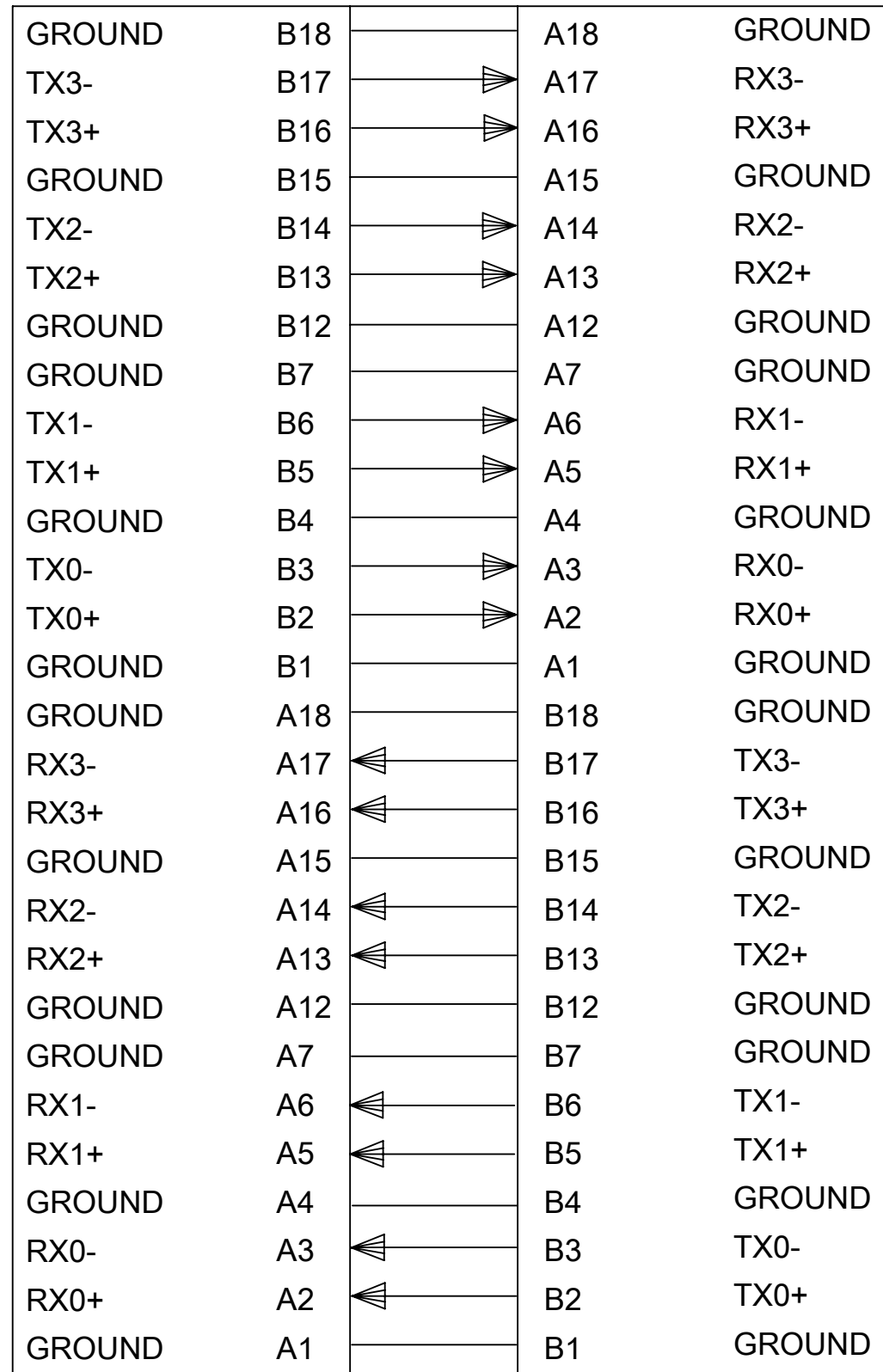
P I N O U T 2

NOTE

1. FOR CONTROLLER TO CONTROLLER.
2. ALL SIGNAL GROUNDS ARE BUSSED IN PCB.

IPASS™ IS A TRADEMARK OF MOLEX

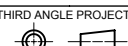
THIS DRAWING CONTAINS INFORMATION THAT IS PROPRIETARY TO MOLEX ELECTRONIC TECHNOLOGIES, LLC AND SHOULD NOT BE USED WITHOUT WRITTEN PERMISSION											
DIMENSION UNITS		SCALE		CURRENT REV DESC: OBSOLETE PART NO							
MM/IN		NTS									
GENERAL TOLERANCES (UNLESS SPECIFIED)				EC NO: 628455		DRWN: VLOKESHA		2019/12/03		IPASS (MINI-SAS)	
				CHK'D: GB		2019/12/04		INTERNAL CABLE 36 CKT 4X W/ SIDEBANDS			
				APPR: GGA		2020/01/13		PRODUCT CUSTOMER DRAWING			
				INITIAL REVISION:				DOCUMENT NUMBER		DOC TYPE	
				DRWN: JERWIN		2006/04/25		SD-79576-200		PSD	
				APPR: DDOYE		2006/04/25		001		P1	
ANGULAR TOL ± 1.0°				DRAFT WHERE APPLICABLE MUST REMAIN WITHIN DIMENSIONS		THIRD ANGLE PROJECTION		DRAWING		SHEET NUMBER	
						A3-SIZE		79576		3 OF 4	



P
I
N
O
U
T
3

NOTE
 1. FOR NO SIDE BANDS
 2. ALL SIGNAL GROUNDS ARE BUSSED IN PCB.

IPASS™ IS A TRADEMARK OF MOLEX

THIS DRAWING CONTAINS INFORMATION THAT IS PROPRIETARY TO MOLEX ELECTRONIC TECHNOLOGIES, LLC AND SHOULD NOT BE USED WITHOUT WRITTEN PERMISSION														
DIMENSION UNITS		SCALE		CURRENT REV DESC: OBSOLETE PART NO						molex				
MM/IN		NTS												
GENERAL TOLERANCES (UNLESS SPECIFIED)				EC NO: 628455		2019/12/03		INTERNAL CABLE 36 CKT 4X W/ SIDEBANDS						
				DRWN: VLOKESHA		2019/12/04								
4 PLACES ±		±		CHK'D: GB		2020/01/13		PRODUCT CUSTOMER DRAWING						
3 PLACES ±		± 0.01		APPR: GGA										
2 PLACES ±		0.25 ±		INITIAL REVISION:				DOCUMENT NUMBER		DOC TYPE	DOC PART	REVISION		
1 PLACE ±		±		DRWN: JERWIN		2006/04/25		SD-79576-200		PSD	001	P1		
0 PLACES ±		±		APPR: DDOYE		2006/04/25								
ANGULAR TOL ±		1.0°		DRAFT WHERE APPLICABLE MUST REMAIN WITHIN DIMENSIONS		THIRD ANGLE PROJECTION		DRAWING		SERIES		MATERIAL NUMBER	CUSTOMER	SHEET NUMBER
								A3-SIZE		79576		SEE TABLE	GENERAL MARKET	4 OF 4