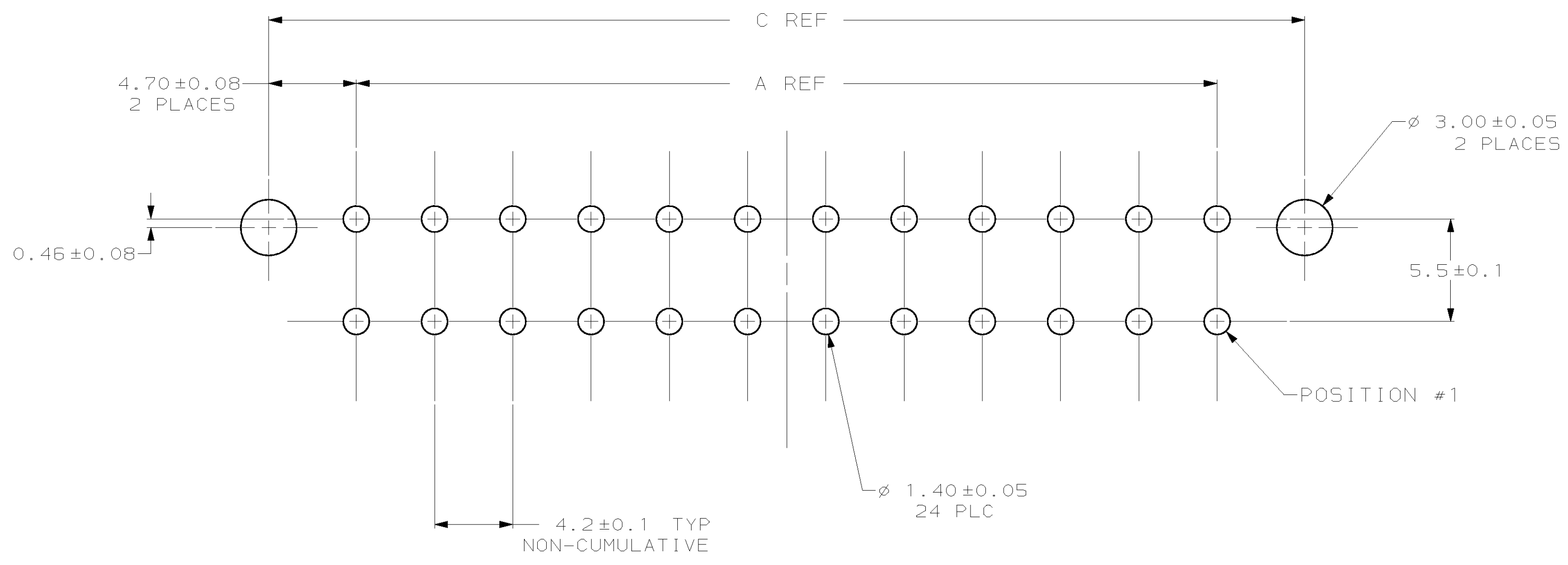
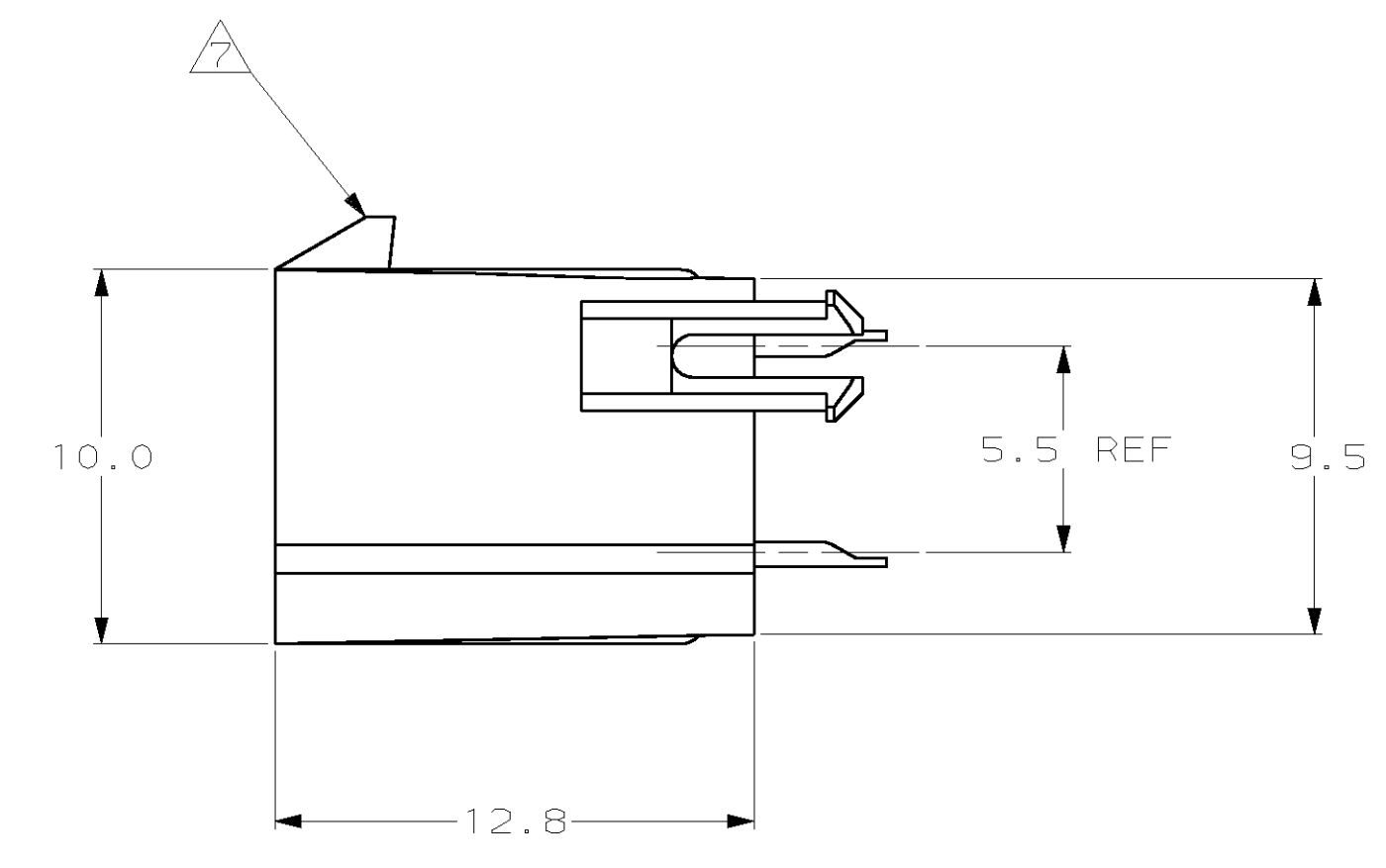
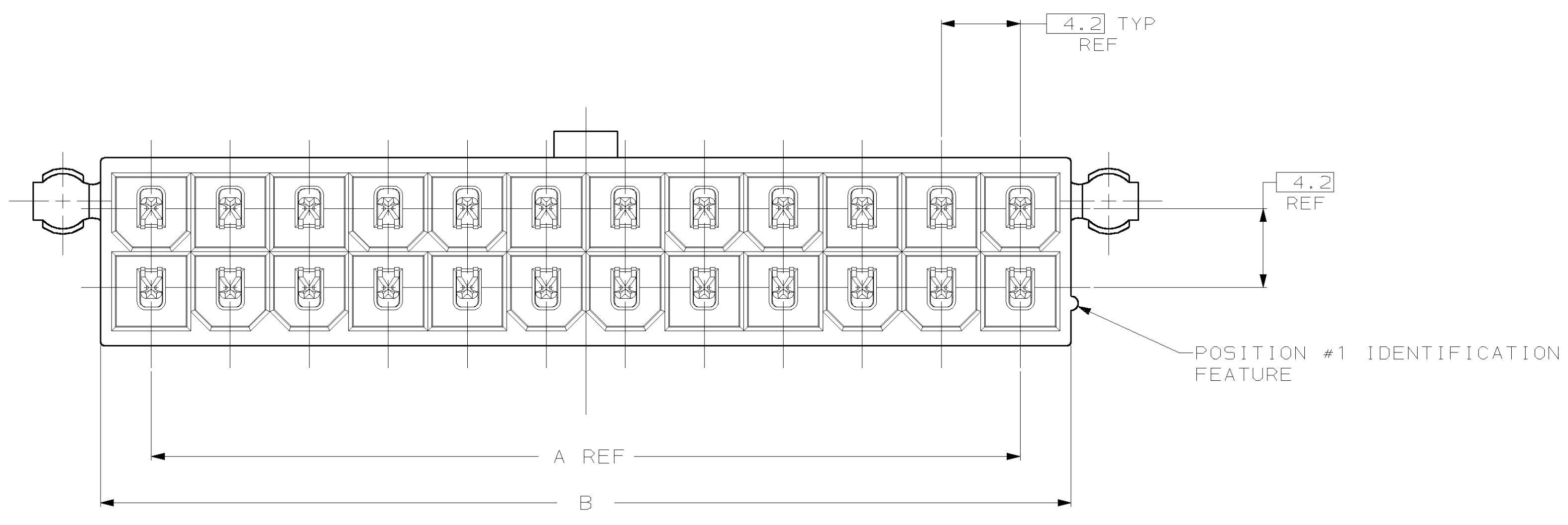


- 1 MATERIAL: HOUSING - NYLON, UL94V-2 (COLOR - NATURAL, COLOR OF PARTS MAY VARY). CONTACTS - 0.25 THK COPPER ALLOY.
- 2 CONTACT FINISH: 0.003 MIN THK TIN-LEAD OVER 0.00127 MIN THK NICKEL OVER ENTIRE CONTACT.
- 3. SOLDER TAIL MEETS AMP SOLDERABILITY SPECIFICATION 109-11-2.
- 4. MATES WITH SIMILARLY PLATED AMP-DUAC™ POWER CONNECTOR RECEPTACLE HOUSINGS/SOCKET CONTACTS.
- 5 RIBS ON FOUR CORNERS OPTIONAL.
- 6 AMP LOGO AND MATERIAL ID MAY BE LOCATED ON EITHER LONG SIDE OF PART.
- 7 SIZE, SHAPE OR STYLE OF THIS FEATURE MAY VARY.



RECOMMENDED MOUNTING HOLE PATTERN FOR 1.78 MAX THICK P.C. BOARD COMPONENT SIDE SHOWN

58.8	55.6	51.6	46.2	24	2-794662-4
54.6	51.4	47.4	42.0	22	2-794662-2
50.4	47.2	43.2	37.8	20	2-794662-0
46.2	43.0	39.0	33.6	18	1-794662-8
42.0	38.8	34.8	29.4	16	1-794662-6
37.8	34.6	30.6	25.2	14	1-794662-4
33.6	30.4	26.4	21.0	12	1-794662-2
29.4	26.2	22.2	16.8	10	1-794662-0
25.2	22.0	18.0	12.6	8	794662-8
21.0	17.8	13.8	8.4	6	794662-6
16.8	13.6	9.6	4.2	4	794662-4
12.6	9.4	5.4	0.0	2	794662-2
D	C	B	A	NO. OF POSITIONS	PART NO



THIS DRAWING IS A CONTROLLED DOCUMENT.

DW	A. HOLT	10 MAY 99
CHK	C. CASH	10 MAY 99
APPV	C. CASH	10 MAY 99

AMP Incorporated
 Harrisburg, PA 17105-3608

NAME: ASSEMBLY, HEADER, VERTICAL, TIN-LEAD PLATED, W/PEGS, W/O DRAIN HOLES, 94V-2, AMP-DUAC™ POWER CONNECTOR

PRODUCT SPEC: 108-1699

APPLICATION SPEC: -

SIZE: A1 00779

SCALE: 5:1

SHEET: 1 OF 1

REV: 0