
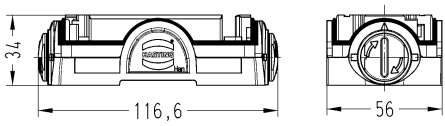



Yellock

Identification	Cable entry	Part number	Drawing (dimensions in mm)
<p>Han-<i>Yellock</i>®, Carrier hood, Push button, slot, IP65, IP67</p> 		11 12 600 0110	
<p>Han-<i>Yellock</i>®, Protection cover, for carrier hoods, With fixing cord, Thermoplastic, IP65, IP67</p> 		11 12 600 5451	