

XUVU06M3KSNM8

Photoelectric sensors XU, ultrasonic sensor label fork 60x3, 12...24 V DC, PNP/NPN NO/NC connect M8



Main

| | |
|-------------------------------|--|
| Range of Product | Telemecanique Photoelectric sensors XU |
| Series name | Application packaging |
| Electronic sensor type | Photo-electric sensor |
| Sensor name | XUV |
| Sensor design | Fork |
| Detection system | Thru beam |
| Emission | Ultrasonic |
| Type of setting | Without |
| Passage width | 0.12 in (3 mm) |
| Passage depth | 2.72 in (69 mm) |
| Material | Metal |
| Supply circuit type | DC |
| Wiring Technique | 4-wire |
| Discrete output type | PNP and NPN |
| Discrete output function | 2 NO/NC programmable |
| Electrical connection | 1 male connector M8, 4 pins |
| Product Specific Application | Detection of transparent labels |
| [Sn] nominal sensing distance | 0.12 in (3 mm) thru beam |

Complementary

| | |
|---------------------------------|---|
| Setting-up | Numeric potentiometer |
| Enclosure Material | Zinc alloy |
| Lens material | PC |
| Accuracy | +/- 0.20 mm 120 m/min |
| Minimum label length | 0.08 in (2 mm) |
| Minimum distance between labels | 0.08 in (2 mm) |
| Maximum passing speed of object | 180 m/min |
| Type of output signal | Discrete |
| Output Type | Solid state |
| Status LED | Output state 1 LED yellow) Adjustment mode and keypad locking 1 LED red) |
| [Us] rated supply voltage | 12...24 V DC reverse polarity protection |
| Supply voltage limits | 10...30 V DC |
| Switching capacity in mA | <= 100 mA (overload and short-circuit protection) |
| Switching frequency | <= 1500 Hz |
| Maximum voltage drop | <2 V (closed state) |
| Maximum delay first up | 30 ms |
| Maximum delay response | 0.3 ms |
| Maximum delay recovery | 0.3 ms |
| Depth | 1.85 in (47 mm) |
| Height | 3.64 in (92.5 mm) |
| Width | 0.71 in (18 mm) |
| Net Weight | 0.29 lb(US) (0.13 kg) |

The information provided in this documentation contains general descriptions and/or technical characteristics of the products of the performance of the products contained herein. This documentation is not intended as a substitute for and is not to be used for determining suitability or reliability of these products for specific user applications. It is the duty of any such user or integrator to perform the appropriate and complete risk analysis, evaluation and testing of the products with respect to the relevant specific application or use thereof. Neither Schneider Electric Industries SAS nor any of its affiliates or subsidiaries shall be responsible or liable for misuse of the information contained herein.

Environment

| | |
|---------------------------------------|--|
| Product Certifications | CULus CE |
| Ambient air temperature for operation | 41...131 °F (5...55 °C) |
| Ambient Air Temperature for Storage | -4...158 °F (-20...70 °C) |
| Vibration resistance | 7 gn +/- 1.5 mm 10...55 Hz IEC 60068-2-6 |
| Shock resistance | 30 gn 11 ms) IEC 60068-2-27 |
| IP degree of protection | IP65 IEC 60529 |

Ordering and shipping details

| | |
|-----------------------|------------------------------------|
| Category | 22490 - SENSORS-ULTRASONIC (XX5,6) |
| Discount Schedule | DS2 |
| GTIN | 3606480502743 |
| Nbr. of units in pkg. | 1 |
| Package weight(Lbs) | 5.64 oz (160 g) |
| Returnability | Yes |
| Country of origin | FR |

Packing Units

| | |
|------------------------------|-----------------------|
| Unit Type of Package 1 | PCE |
| Package 1 Height | 1.38 in (3.5 cm) |
| Package 1 width | 2.95 in (7.5 cm) |
| Package 1 Length | 5.12 in (13 cm) |
| Unit Type of Package 2 | S01 |
| Number of Units in Package 2 | 15 |
| Package 2 Weight | 5.75 lb(US) (2.61 kg) |
| Package 2 Height | 5.91 in (15 cm) |
| Package 2 width | 5.91 in (15 cm) |
| Package 2 Length | 15.75 in (40 cm) |

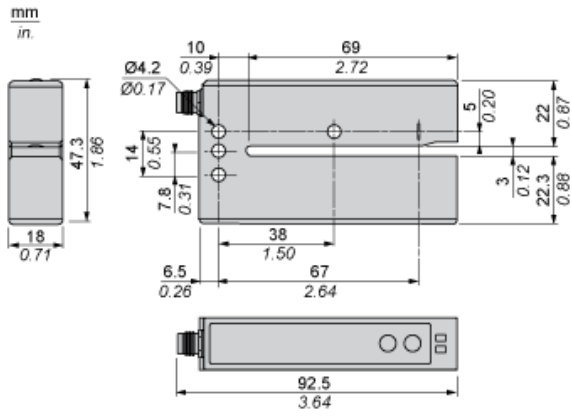
Offer Sustainability

| | |
|----------------------------|---|
| California proposition 65 | WARNING: This product can expose you to chemicals including: Diisononyl phthalate (DINP), which is known to the State of California to cause cancer, and Di-isodecyl phthalate (DIDP), which is known to the State of California to cause birth defects or other reproductive harm. For more information go to www.P65Warnings.ca.gov |
| REACH Regulation | REACH Declaration |
| EU RoHS Directive | Pro-active compliance (Product out of EU RoHS legal scope) EU RoHS Declaration |
| Mercury free | Yes |
| RoHS exemption information | Yes |

Contractual warranty

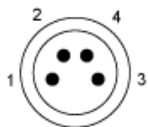
| | |
|----------|-----------|
| Warranty | 18 months |
|----------|-----------|

Dimensions



Wiring Schemes

Connector



- 1 : BN: Brown
- 2 : WH: White (remote teaching)
- 3 : BU: Blue
- 4 : BK: Black)

PNP and NPN Function

