



Main

Range of Product	Harmony Electromechanical Relays
Product or Component Type	Mounting adaptor
Accessory / separate part category	Mounting accessories
Accessory / separate part designation	Mounting adaptor with fixing lugs for panel
Device short name	RXZ
Sale per indivisible quantity	10

Complementary

Product Destination	RPM relay RXM relay
Product compatibility	Plug-in relay RXM 2 C/O Plug-in relay RXM 3 C/O Plug-in relay RPM 2 C/O
Shape of pin	Flat
Net Weight	0.00 lb(US) (0.002 kg)
Group of product	RXM_RPM_2_C/O_PANEL


Ordering and shipping details

Category	21128 - ZELIO ICE CUBE RELAY ACCESSORIES
Discount Schedule	CP2
GTIN	3389119404341
Nbr. of units in pkg.	1
Package weight(Lbs)	0.18 oz (5 g)
Returnability	No
Country of origin	CN

Packing Units

Unit Type of Package 1	PCE
Package 1 Height	0.75 in (1.9 cm)
Package 1 width	0.94 in (2.4 cm)
Package 1 Length	1.73 in (4.4 cm)

Offer Sustainability

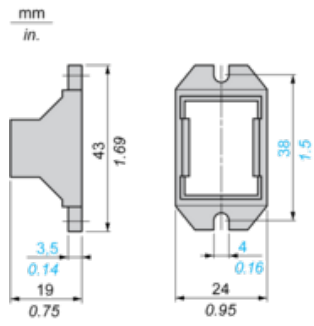
Sustainable offer status	Green Premium product
California proposition 65	WARNING: This product can expose you to chemicals including: Nickel compounds, which is known to the State of California to cause cancer, and Di-isodecyl phthalate (DIDP), which is known to the State of California to cause birth defects or other reproductive harm. For more information go to www.P65Warnings.ca.gov
RECh Regulation	 RECh Declaration
RECh free of SVHC	Yes
EU RoHS Directive	Pro-active compliance (Product out of EU RoHS legal scope)  EU RoHS Declaration

Toxic heavy metal free	Yes
Mercury free	Yes
RoHS exemption information	Yes
China RoHS Regulation	China RoHS Declaration
Environmental Disclosure	Product Environmental Profile
WEEE	The product must be disposed on European Union markets following specific waste collection and never end up in rubbish bins.

Contractual warranty

Warranty	18 months
----------	-----------

Dimensions



Mounting Adapter for Panel

