

**ACT20P-CI-2CO-OLP-S****Weidmüller Interface GmbH & Co. KG**

Klingenbergstraße 26

D-32758 Detmold

Germany

www.weidmueller.com

**Similar to illustration****ACT20P: The flexible solution**

- Precise and highly functional signal converters
- Release levers simplify handling

**General ordering data**

Version	Signal distributor, Output current loop powered, Input : 4-20 mA, Output : 2 x 4-20 mA, (loop powered)
Order No.	<a href="#">7760054122</a>
Type	ACT20P-CI-2CO-OLP-S
GTIN (EAN)	6944169656620
Qty.	1 pc(s).

## ACT20P-CI-2CO-OLP-S

**Weidmüller Interface GmbH & Co. KG**  
 Klingenbergstraße 26  
 D-32758 Detmold  
 Germany

www.weidmueller.com

## Technical data

### Dimensions and weights

Depth	114 mm	Depth (inches)	4.488 inch
Height	117.2 mm	Height (inches)	4.614 inch
Width	12.5 mm	Width (inches)	0.492 inch
Weight	131 g	Net weight	105 g

### Temperatures

Storage temperature	-40 °C...85 °C	Operating temperature	-20 °C...60 °C
Humidity	5...95 %, no condensation		

### Environmental Product Compliance

REACH SVHC	Lead 7439-92-1
------------	----------------

### Input

Input current	4...20mA	Number of inputs	1
Sensor	Current source	Voltage drop, current input	< 3 V

### Output

Load impedance current	$R_L = (U_B - 12 \text{ V}) / 20 \pm 20 \text{ mA}$ , e.g. 600 $\Omega$ at 24 V	Number of outputs	2
Output current	4...20 mA, loop-powered	Type	passive, connected control must be active

### General data

Accuracy	< 0.1 % of end value	Configuration	none
Galvanic isolation	3-way isolator	Rail	TS 35
Step response time	$\leq 2 \text{ ms}$	Temperature coefficient	$\leq 100 \text{ ppm/K}$
Type of connection	Screw connection	Voltage supply	via output current loop, min. 12 V DC/ max. 30 V DC

### Insulation coordination

EMC standards	EN 61010-1:2011, UL 61010-1, IEC61000-6-2, IEC 61000-6-4	Galvanic isolation	3-way isolator
Impulse withstand voltage	4 kV (1.2/50 $\mu\text{s}$ )	Insulation voltage	2 kV (Input /Output), 1 min, 50 Hz
Pollution severity	2	Rated voltage	300 V
Surge voltage category	III		

### Data for Ex applications (ATEX)

Marking	II 3 G Ex ec IIC T6 Gc
---------	------------------------

**ACT20P-CI-2CO-OLP-S****Weidmüller Interface GmbH & Co. KG**

Klingenbergstraße 26

D-32758 Detmold

Germany

www.weidmueller.com

**Technical data****Connection data**

Type of connection	Screw connection	Tightening torque, min.	0.4 Nm
Tightening torque, max.	0.6 Nm	Clamping range, rated connection	2.5 mm <sup>2</sup>
Clamping range, min.	0.5 mm <sup>2</sup>	Clamping range, max.	2.5 mm <sup>2</sup>
Wire connection cross section AWG, min.	AWG 26	Wire connection cross section AWG, max.	AWG 12

**Classifications**

ETIM 6.0	EC002475	ETIM 7.0	EC002475
ETIM 8.0	EC002475	ECLASS 9.0	27-21-01-23
ECLASS 9.1	27-21-01-23	ECLASS 10.0	27-21-01-23
ECLASS 11.0	27-21-01-23		

**Important note**

Product information The ACT20P-CI-2CO-OLP-S fixed passive isolator isolates analogue standard current source signals. An analogue input current signal is converted linearly and doubled to provide two galvanically separated output current signals. The device is powered via the output current loop.

## Features

- 3-way galvanic isolation between input, output 1 and output 2.

**Approvals**

Approvals



ROHS	Conform
UL File Number Search	E469563

**Downloads**

Approval/Certificate/Document of Conformity	<a href="#">ATEX Certification</a> <a href="#">IECEX Certification</a> <a href="#">UL Certification (hazardous location)</a> <a href="#">UL Certification (US-CAN)</a> <a href="#">Declaration of Conformity</a>
Engineering Data	<a href="#">CAD data – STEP</a>
Engineering Data	<a href="#">EPLAN</a>
User Documentation	<a href="#">Instruction sheet</a>
Catalogues	<a href="#">Catalogues in PDF-format</a>

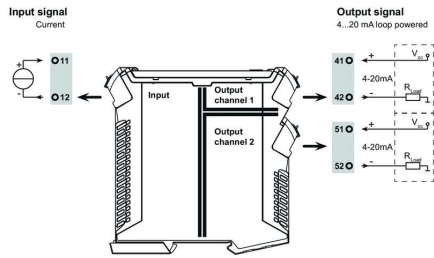
ACT20P-CI-2CO-OLP-S

Weidmüller Interface GmbH & Co. KG  
Klingenbergstraße 26  
D-32758 Detmold  
Germany

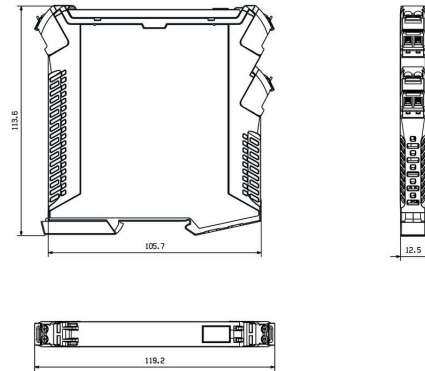
www.weidmueller.com

Drawings

Connection diagram



Dimensioned drawing



## ACT20P-CI-2CO-OLP-S

**Weidmüller Interface GmbH & Co. KG**  
 Klingenbergstraße 26  
 D-32758 Detmold  
 Germany

[www.weidmueller.com](http://www.weidmueller.com)

## Accessories

## Blank



ESG is the tried-and-tested marker in MultiCard format for use on many well-known electrical devices. The result is high-quality device marking with a high-contrast appearance.

Various types are available for devices from manufacturers like Siemens, ABB, Beckhoff etc.

Advantages at a glance:

- Tags for universal usage, self-adhesive or clip-on tags, depending on type
- For aligned equipment, e.g. circuit breakers, we supply ESG markers for clipping onto tag rails
- Individual laser-quality printing according to specifications

**For custom printing:** Please send us a file of our labeling software M-Print PRO or M-Print PRO Online (without installation) for your labeling specifications.

## General ordering data

Type	ESG 8/13.5/43.3 SAI AU	Version
Order No.	<a href="#">1912130000</a>	ESG, Device markers x 13.5 mm, PA 66, Colour: Transparent
GTIN (EAN)	4032248541164	
Qty.	5 pc(s).	

## ACT20P-CI-2CO-OLP-S

**Weidmüller Interface GmbH & Co. KG**  
Klingenbergstraße 26  
D-32758 Detmold  
Germany

[www.weidmueller.com](http://www.weidmueller.com)

# Accessories

## Blank



ESG is the tried-and-tested marker in MultiCard format for use on many well-known electrical devices. The result is high-quality device marking with a high-contrast appearance.

Various types are available for devices from manufacturers like Siemens, ABB, Beckhoff etc.

Advantages at a glance:

- Tags for universal usage, self-adhesive or clip-on tags, depending on type
- For aligned equipment, e.g. circuit breakers, we supply ESG markers for clipping onto tag rails
- Individual laser-quality printing according to specifications

**For custom printing:** Please send us a file of our labeling software M-Print PRO or M-Print PRO Online (without installation) for your labeling specifications.

## General ordering data

Type	ESG 6.6/11 BHZ 5.00/02	Version
Order No.	<a href="#">1082490000</a>	ESG, Device markers x 11 mm, PA 66, Colour: white
GTIN (EAN)	4032248845330	
Qty.	200 pc(s).	