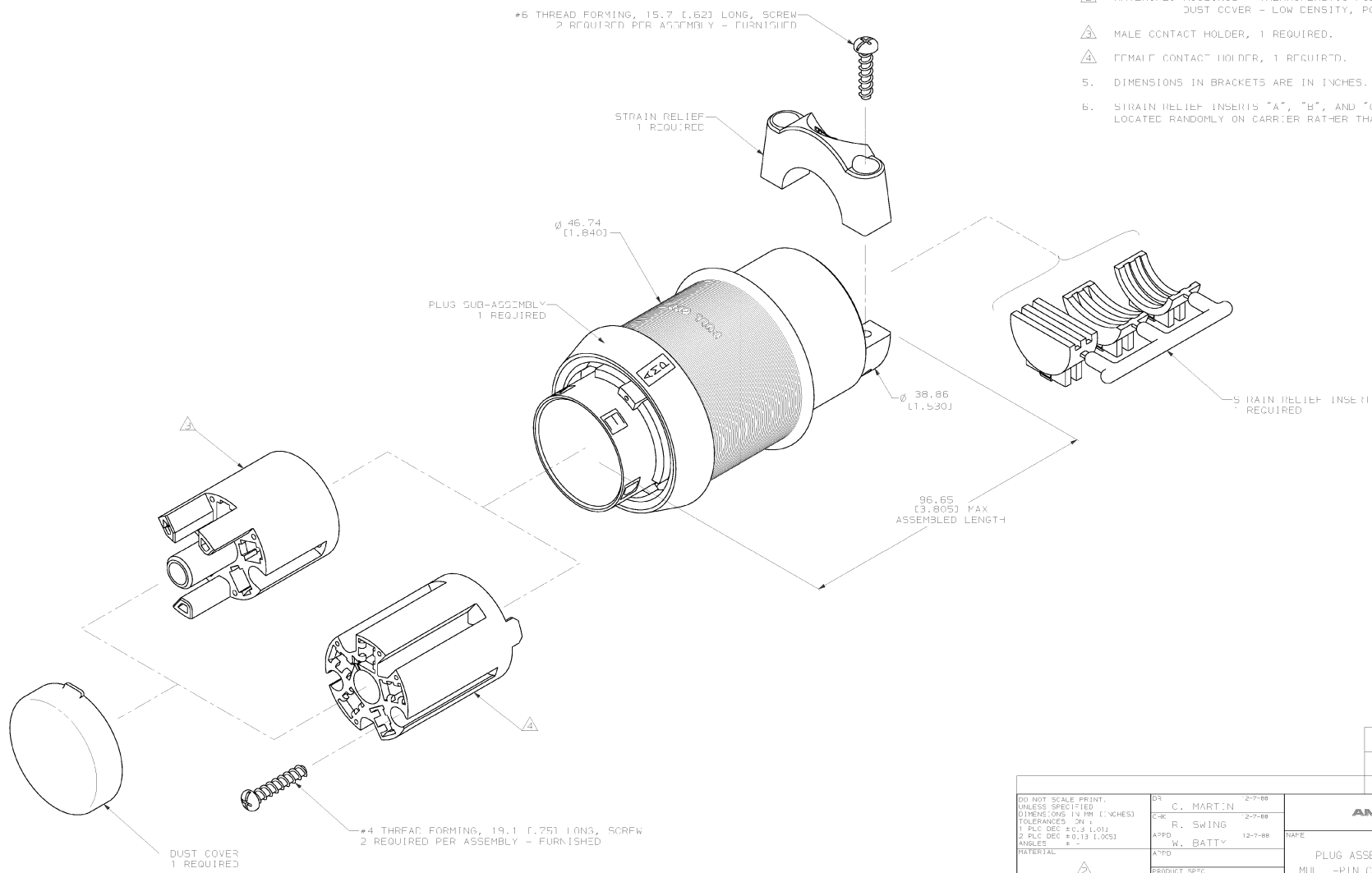


REV	DATE	DESCRIPTION	BY	CHKD
CM 53		REVISED PER EC 063B-0086-99		

- ALL PARTS REQUIRED PER ASSEMBLY UNLESS OTHERWISE SPECIFIED.
- MATERIAL: HOUSINGS - THERMOPLASTIC POLYESTER, BLACK
DUST COVER - LOW DENSITY, POLYETHYLENE, RED
- MALE CONTACT HOLDER, 1 REQUIRED.
- FEMALE CONTACT HOLDER, 1 REQUIRED.
- DIMENSIONS IN BRACKETS ARE IN INCHES.
- STRAIN RELIEF INSERTS "A", "B", AND "C", MAY BE LOCATED RANDOMLY ON CARRIER RATHER THAN AS SHOWN.



NOTES	770496-2
	770496-1
	PART NO

DO NOT SCALE PRINT. UNLESS SPECIFIED DIMENSIONS IN MM (INCHES) TOLERANCES IN : 1. P.L.C. DEC ± 0.25 (0.01) 2. P.L.C. DEC ± 0.13 (0.005) ANGLES ±	DR C. MARTIN 2-7-88 CHK R. SWING 2-7-88 APPD W. BATTY 12-7-88	AMP INCORPORATED Merrillville, IN 47106
MATERIAL	PRODUCT SPEC	TRAPE
FINISH	APPLICATION SPEC	PLUG ASSEMBLY KIT, 5 CIRCUIT, MUL .-PIN CIRCULAR POWER CONNECTOR
WEIGHT	SCALE 2:1	SIZE PCH NO DRAWING NO D C0779 770496 SCALE SHEET OF 1

METRIC

CUSTOMER DRAWING

20-587-99 15 59 38 amp 4304 / haw / sig 4524 / cu 09-106