

# Workstation Diagnostic Kit Operation and Maintenance



Made in the  
United States of America



Figure 1. SCS [770052](#) Workstation Diagnostic Kit

## Description

The SCS [770052](#) Workstation Diagnostic Kit is fully equipped with the hardware and software that allows you to monitor the path-to-ground integrity of two operators and ESD worksurfaces. The kit reports real-time data for the validation of multiple workstations.

## **SMP** Static Management Program

SMP continuously monitors an ESD process control system throughout all stages of manufacturing. SMP captures data from SCS workstation, equipment and ESD event continuous monitors and provides a real-time picture of critical manufacturing processes. All activity is stored into a database for on-going quality control purposes. SMP allows its administrators to pinpoint areas of concern and prevent ESD events. Quantifiable data allows its administrators to see trends, become more proactive and prove the efficiency of their ESD process control system.

The kit includes the following items:

- **Static Management Program** to capture data from SCS workstation, equipment and ESD event continuous monitors.
- **WS Aware Monitor** to continuously monitor the path-to-ground integrity and body voltage of two operators, as well as the path-to-ground integrity for two conductive or dissipative worksurfaces and two metal tools.
- **5-Port Ethernet Switch** to connect all included continuous monitors to a local area network (LAN).

Per ANSI/ESD S20.20 section 6.1.3.1 Compliance Verification Plan Requirement “A Compliance Verification Plan shall be established to ensure the organization’s compliance with the requirements of the Plan. Formal audits or certifications shall be conducted in accordance with a Compliance Verification Plan that identifies the requirements to be verified, and the frequency at which those verifications must occur. Test equipment shall be selected to make measurements of appropriate properties of the technical requirements that are incorporated into the ESD program plan.”



Figure 2. Using the the lid organizer to store accessories

## Packaging

Qty	Item	Description	User Guide
1	<a href="#">770055</a>	SMP Site License	<a href="#">TB-9081</a>
4	<a href="#">770067</a>	WS Aware Monitor	<a href="#">TB-9102</a>
1	-	NETGEAR® GS105E 5-Port Ethernet Switch	-
5	-	CAT5E Cable, 25-ft.	-
1	-	Pelican 1510 Case	-

# Specifications

Dimensions	22.0" x 13.8" x 9.0" (559 mm x 351 mm x 229 mm)
Weight	24.0 lbs (10.9 kg)
Country of Origin	United States of America

## Limited Warranty, Warranty Exclusions, Limit of Liability and RMA Request Instructions

See the SCS Warranty - [StaticControl.com/Limited-Warranty.aspx](http://StaticControl.com/Limited-Warranty.aspx)

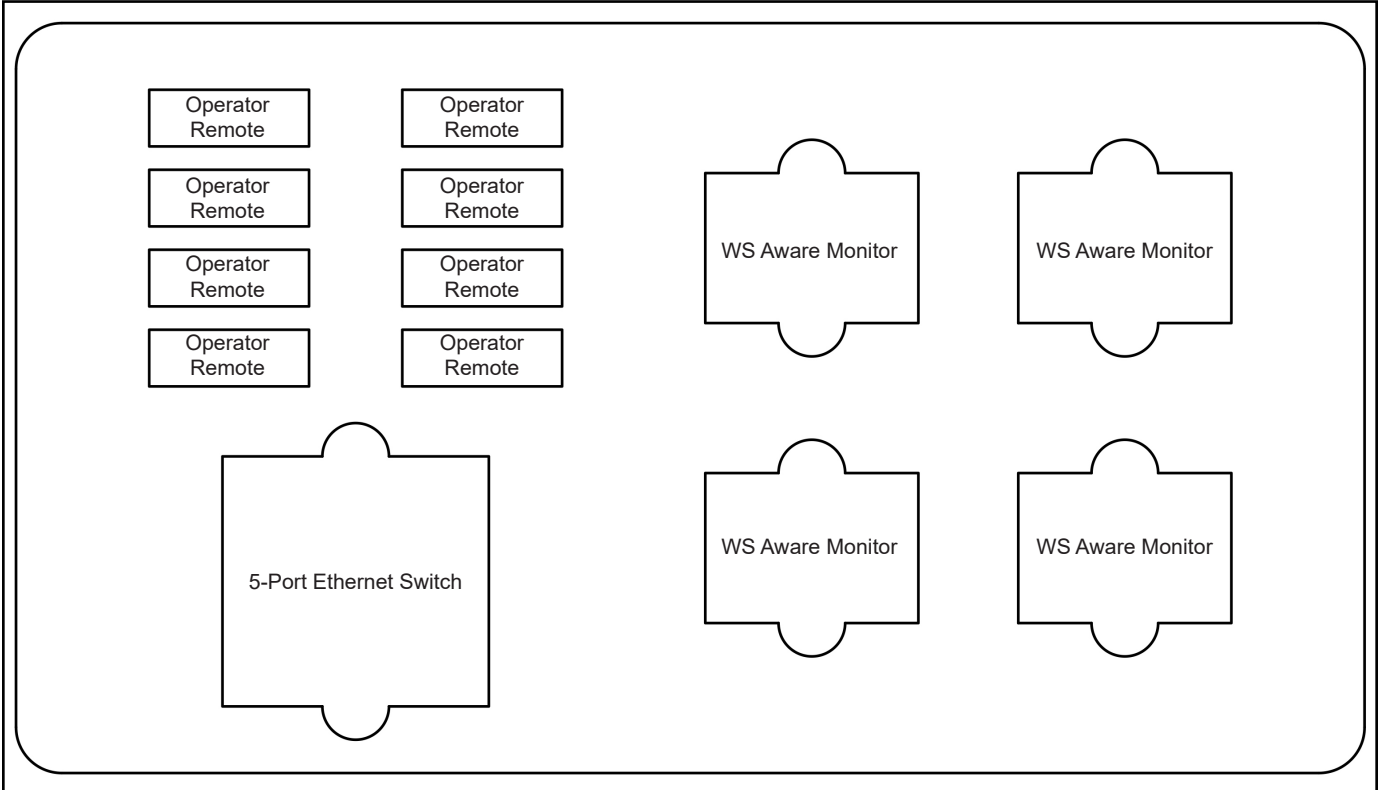


Figure 3. Item compartments

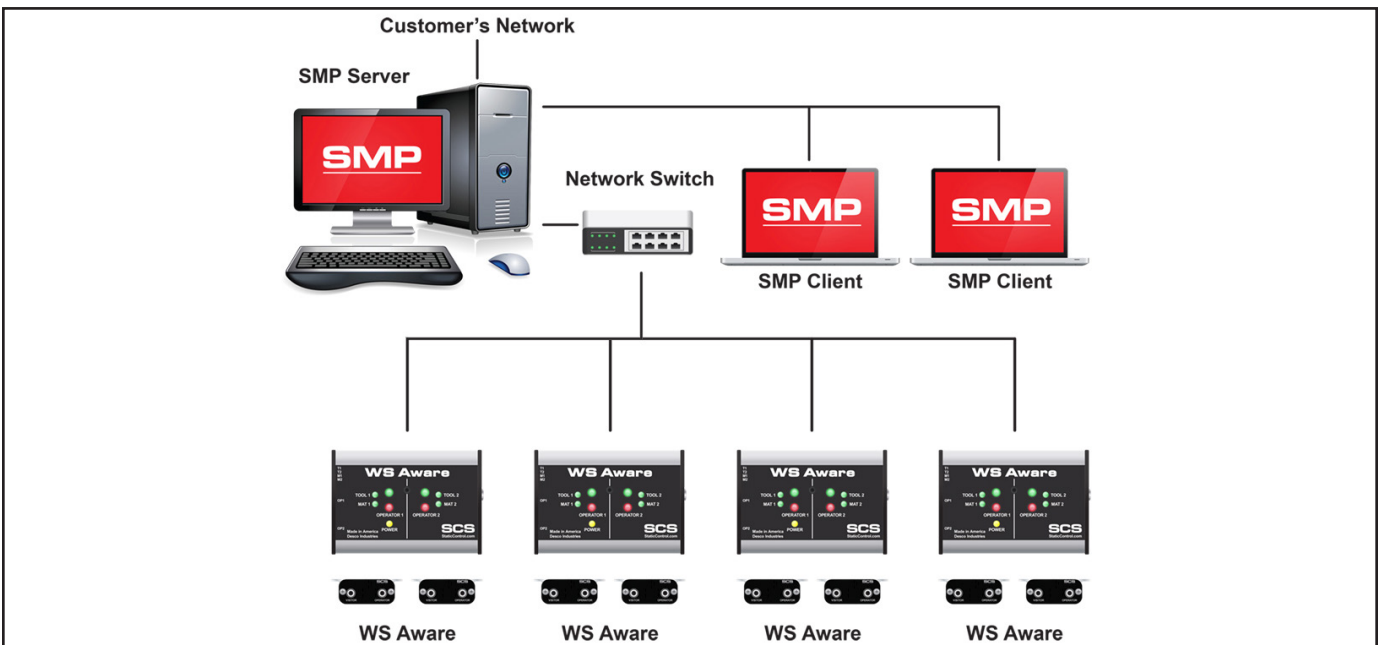


Figure 4. Workstation Diagnostic Kit network diagram

SCS - 926 JR Industrial Drive, Sanford, NC 27332  
 East: (919) 718-0000 | West: (909) 627-9634 • Website: [StaticControl.com](http://StaticControl.com)