

## Features

- Economically Priced
- Replaces the Spectrol 75H Series
- RoHS compliant
- Industrial / Sealed
- IC style pins for easier board insertion

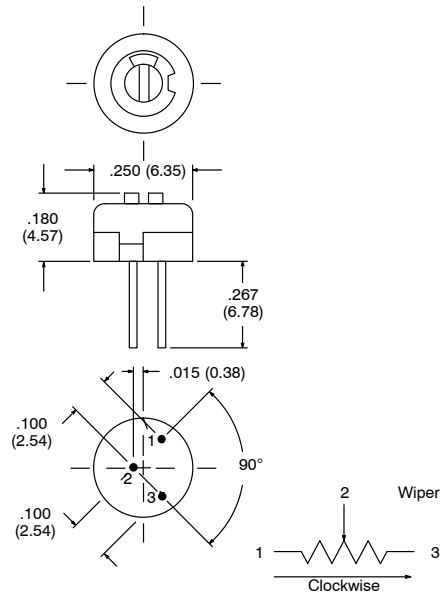


NTE Part No.	Equivalent Spectrol No.	Value (Ohms)	Diag No.
500E-0306	75H-102	1K	T12e
500E-0308	T7YB502KT20	5K	T12e
500E-0309	T7YB103KY20	10K	T12e
500E-0310	75H-203	20K	T12e
500E-0312	75H-104	100K	T12e
500E-0316	75H-205	2M	T12e

# Trimmer, 1/4" Round

## Trimmer – Single Turn Cermet, Top Adjust

T12e



## Specifications

### Electrical

- Effective Travel:** 280° nom
- Resistance Range:** 1K $\Omega$  to 2 Meg  $\Omega$
- Resistance Tolerance:**  $\pm 10\%$
- Absolute Minimum Resistance:**  $\leq 1\%$  or 2 $\Omega$
- Temperature Coefficient:**  $\pm 100$  ppm/ $^{\circ}$ C.
- Power Rating:** 1/2 Watt @ 70 $^{\circ}$ C derated to 0 Watts @ 150 $^{\circ}$ C
- Withstanding Voltage:** 500V<sub>AC</sub>
- Insulation Resistance:**  $\geq 1$ G  $\Omega$  @ 100V<sub>AC</sub>
- Contact Resistance Variation:**  $\leq 3\%$  or 3 $\Omega$

### Mechanical

- Starting Torque:**  $\leq 35$  mN  $\cdot$  m
- Rotation Life:** 200 cycles min with max change of  $\leq 4\%$  in total resistance
- Resistance Element:** Cermet

### Environmental

- Operating Temperature:** -55 $^{\circ}$ C to +150 $^{\circ}$ C
- Electrical Endurance:** 1000 hours