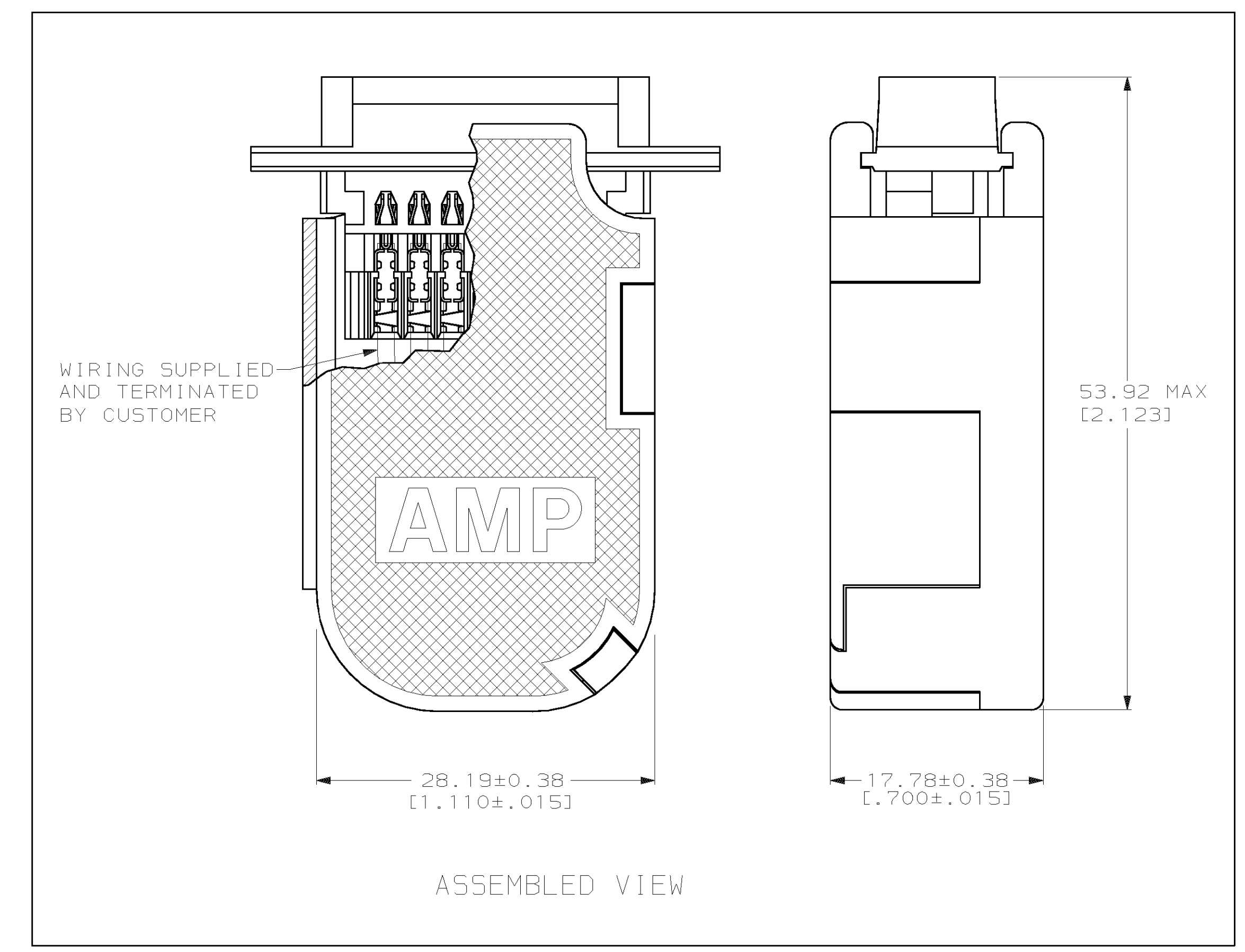
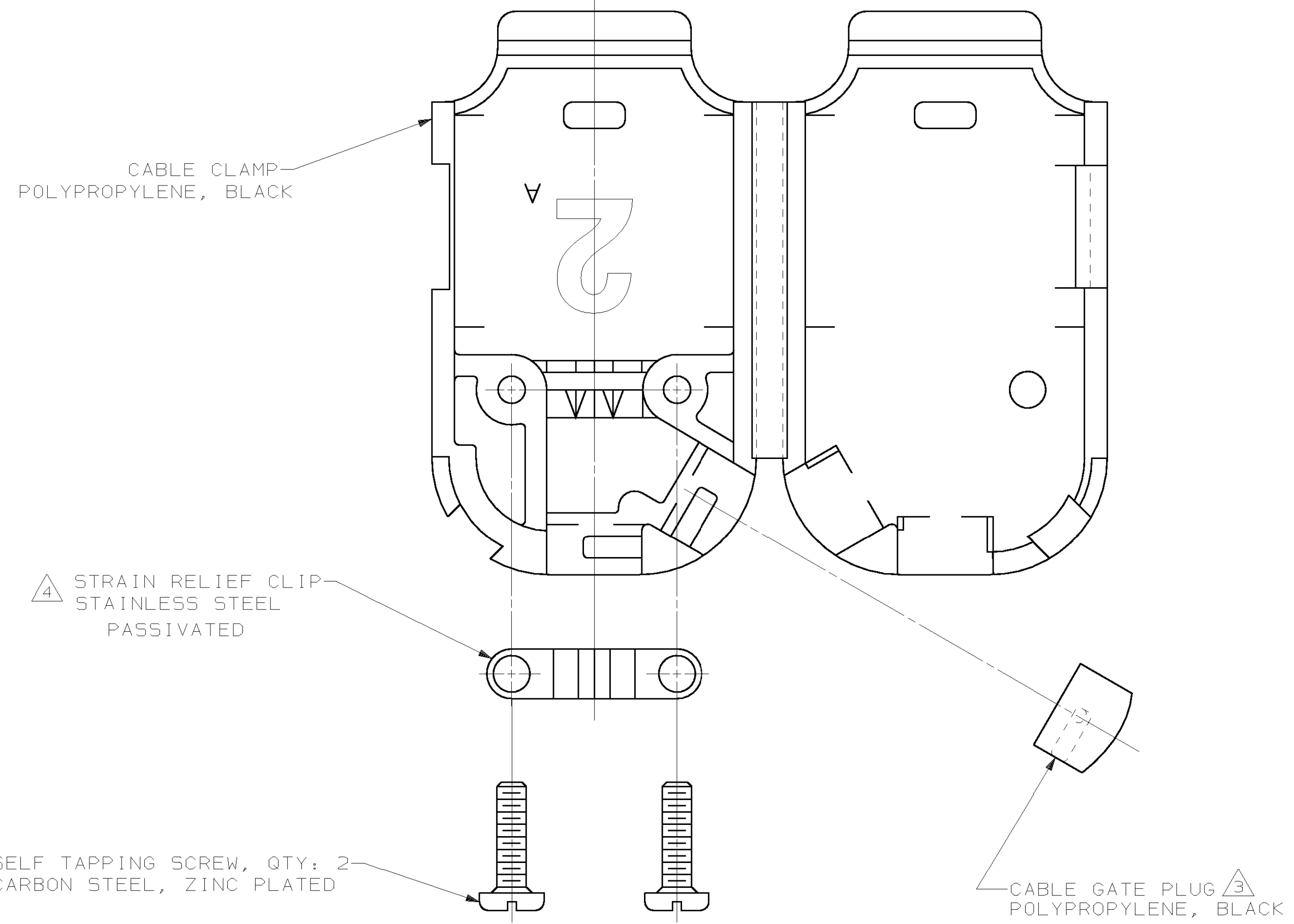
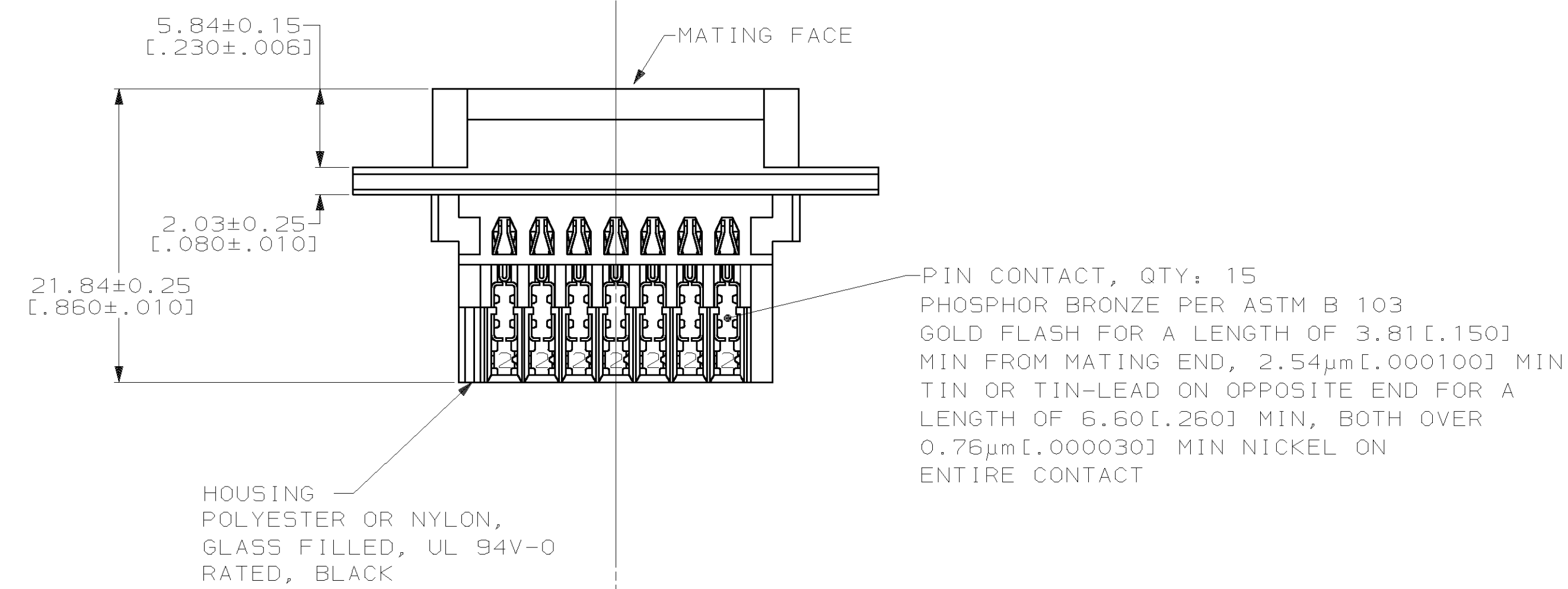
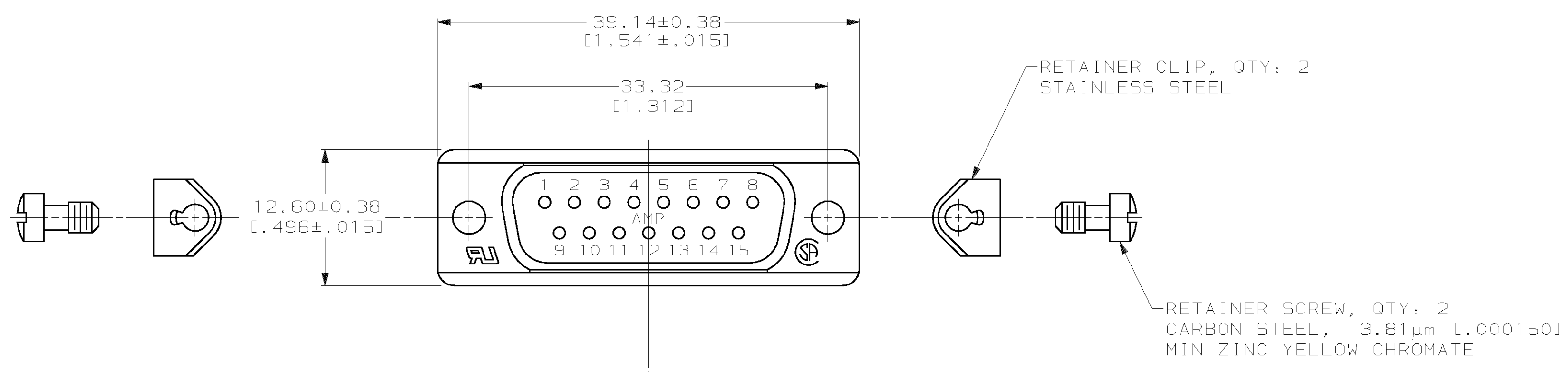


LOC		DIST		REV		REVISIONS	
BD	48	P	F	ZONE	LTR	DESCRIPTION	DATE
						RELEASED PER NPR 2503	1-4-90
						REV PER ECN BD4220	07/27/90
						REV PER ECN BD4276	12/11/90
						REV PER ECN BD5736	08/26/92
						REV PER ECN 001D-0123-00	17 APR 00



- CONTACTS ACCEPT 22-26 AWG RANGE.
- GOLD PLATING PER MIL-G-45204; NICKEL PLATING PER QQ-N-290; TIN PLATING PER MIL-T-10727; ZINC PLATING PER ASTM 8633, TYPE II, CLASS SC1.
- CABLE GATE PLUG TO BE PLACED IN CABLE EXIT NOT BEING USED.
- STRAIN RELIEF CLIP CAN BE REVERSED FOR PROPER INSTALLATION, DEPENDING ON SIZE OF CABLE DIAMETER.
- CABLE DIAMETER RANGE = 4.32-9.65 [.170-.380].

DO NOT SCALE PRINT. UNLESS SPECIFIED DIMENSIONS IN mm [INCHES] TOLERANCES ON:		DR 1-5-90 W.G. LENKER		749809-2 PART NO	
2 PLC DEC ± 0.13 [.005]		CHK 6-4-90 R. STONE		AMP INCORPORATED Harrisburg, Pa. 17105	
3 PLC DEC ± -		APPD 6-5-90 BOB TAYLOR		NAME PLUG KIT, UNASSEMBLED, SIZE 2, 15 POSITION, AMPLIMITE® HDE-20	
ANGLES ± -		APPD 6-6-90 J. ASSINI		MATERIAL SEE CALLOUTS	
SEE CALLOUTS		PRODUCT SPEC 108-40011		CAGE CODE 00779	
FINISH SEE CALLOUTS		APPLICATION SPEC 114-40002		DRAWING NO 749809-2	
SEE CALLOUTS		WEIGHT -		SCALE 3:1	
				SHEET 1 OF 1	