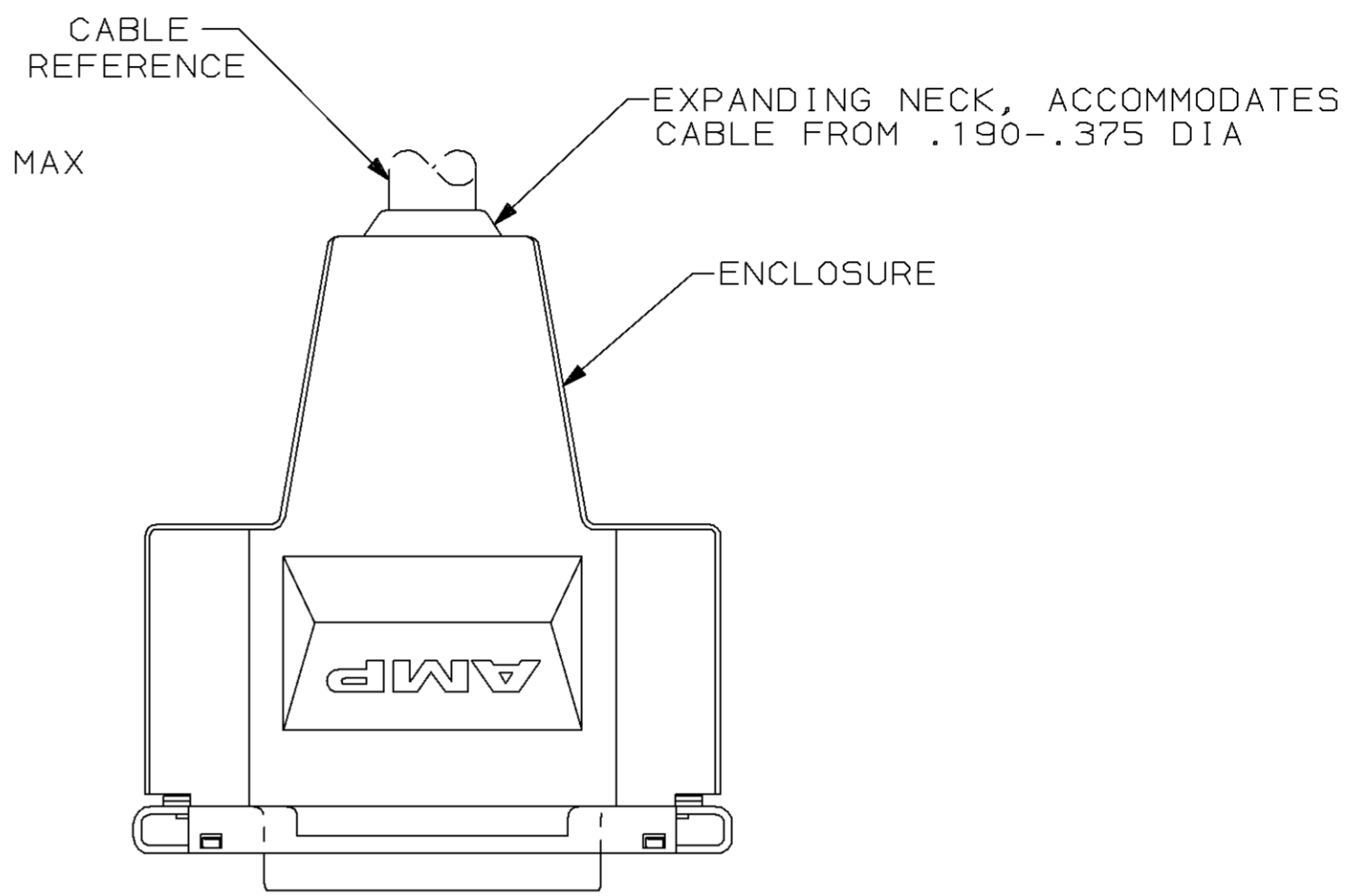
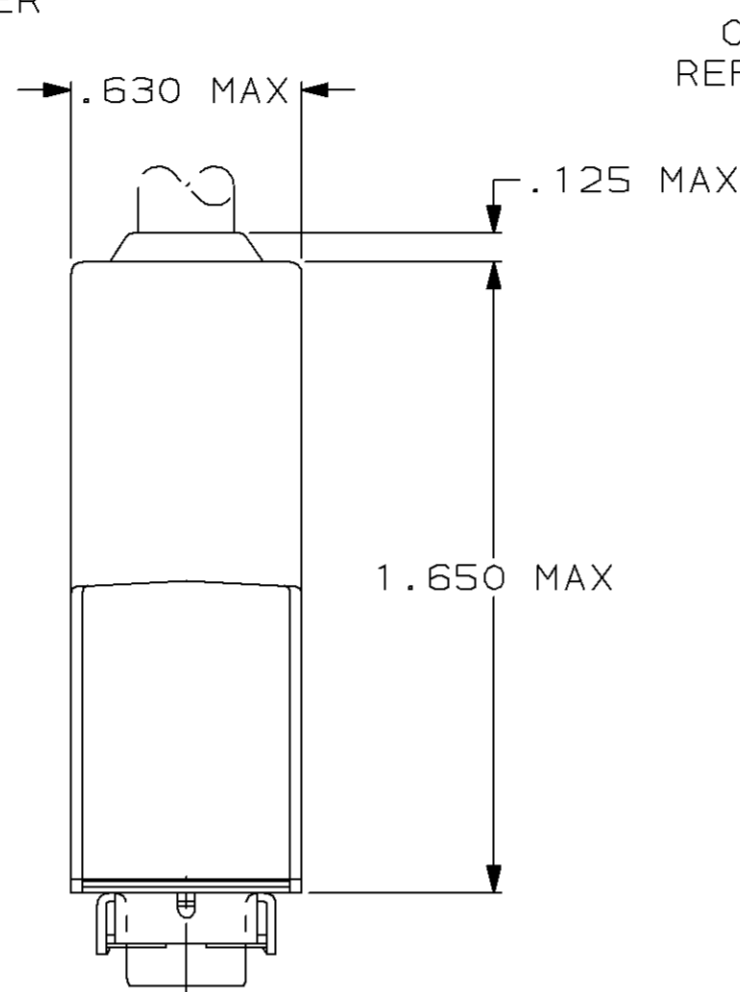
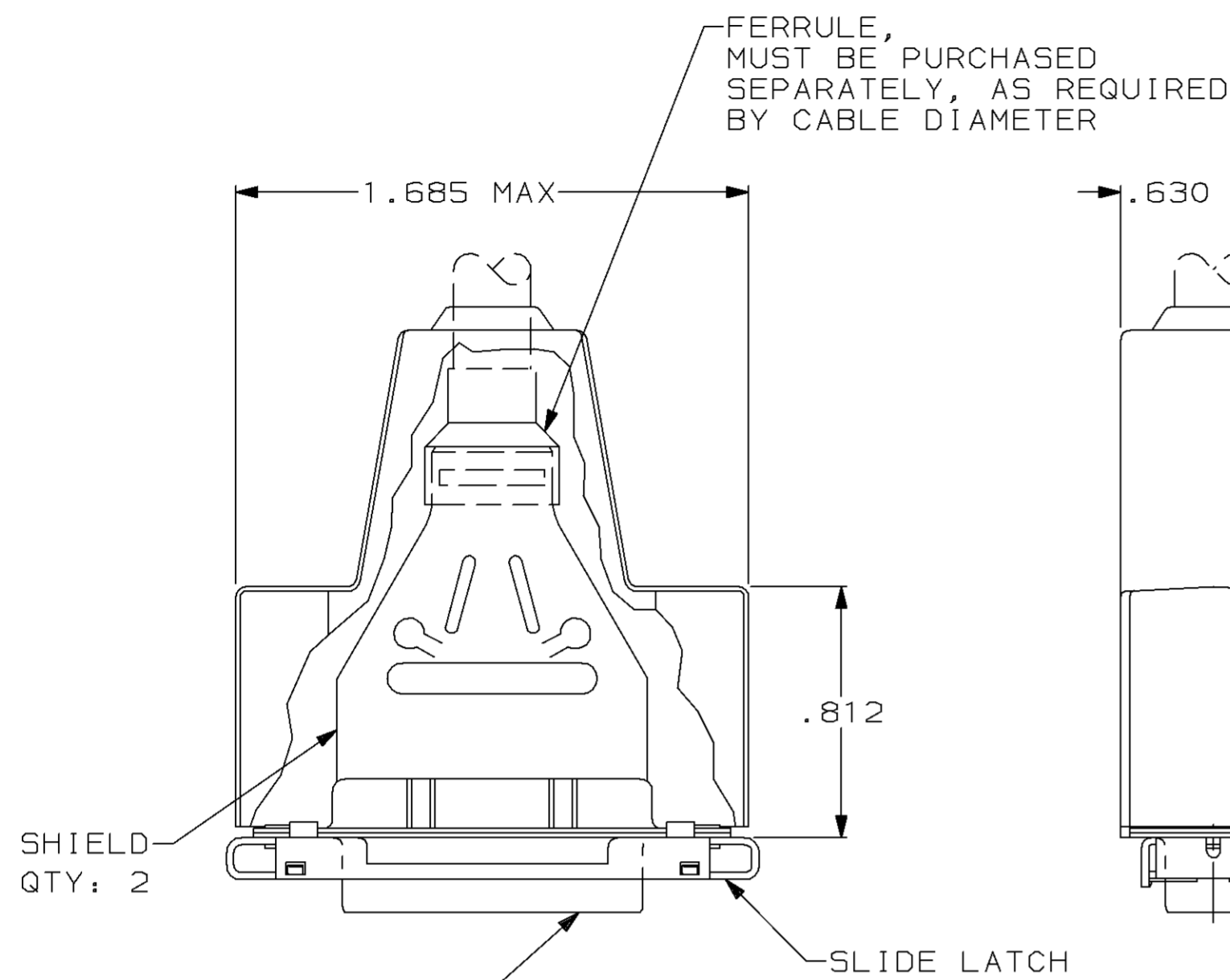
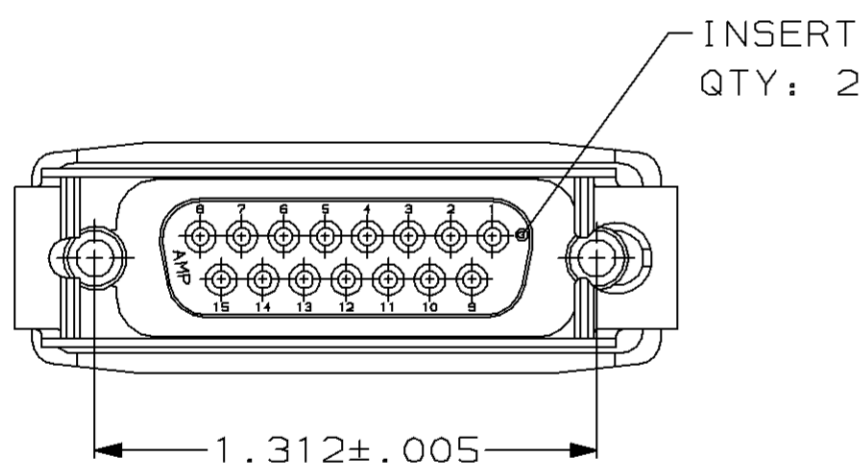


THIS DRAWING IS UNPUBLISHED. RELEASED FOR PUBLICATION ,19 .  
 © COPYRIGHT 19 BY AMP INCORPORATED. ALL INTERNATIONAL RIGHTS RESERVED.

LOC	DIST	P	F	ZONE	LTR	DESCRIPTION	DATE	APPD
BD	48							
					O	RELEASED PER NPR 2229	11-9-88	-
					A	REV PER ECN BD4814	05/31/91	-
					B	REV PER ECN BD5049	7-2-91	TMS
					C	REVISED PER ECN BD6133	04/06/92	TMS
					D	REV PER EC 0020-972-93	07/27/93	SB



RECEPTACLE ASSY HDP-20



- ① RECEPTACLE ACCEPTS SIZE 20 DF SOCKET CONTACTS. CONTACTS MUST BE PURCHASED SEPARATELY.
- 2. ALL PARTS SHIPPED UNASSEMBLED.
- 3. COMPONENTS INDIVIDUALLY BULK PACKAGED.
- ④ ELASTOMER, STYRENE POLYOLEFIN, OR PVC, BLACK.
- ⑤ STAINLESS STEEL PER ASTM A167.
- ⑥ FLAME RETARDANT, 94V-0 RATED, GLASS FILLED, NYLON, BLACK.
- ⑦ CARBON STEEL PER ASTM A109.
- ⑧ .000200 MIN TIN OVER .000050 MIN COPPER, PER MIL-T-10727.

DO NOT SCALE PRINT. UNLESS SPECIFIED DIMENSIONS IN INCHES TOLERANCES ON : 2 PLC DEC ± - 3 PLC DEC ± .020 ANGLES ± -		DR 11-9-88 W.G.LENKER	749246-1 PART NO	
MATERIAL INSERTS: ⑥ ENCLOSURE: ④ SLIDE LATCH: ⑤ SHIELDS & SHELLS: ⑦	FINISH SHELLS: ⑧ SHIELDS: ⑧	CHK 12-12-88 J.McCLINTON	APPD 12-14-88 R.WHYNE	AMP INCORPORATED Harrisburg, Pa. 17105
NAME SHIELDING ENCLOSURE KIT, RECEPTACLE, SIZE 2, 15 POSITION, WITH PREASSEMBLED SLIDE LATCH, AMPLIMITE® HDP-20		APPD 12-14-88 J.SHOWERS	PRODUCT SPEC -	
APPLICATION SPEC -		SIZE C	FSCM NO 00779	DRAWING NO 749246
WEIGHT -		SCALE 2:1	SHEET 1 OF 1	