



Main

Range of Product	Harmony Solid State Relays
Product or Component Type	Heat sink

Complementary

Product compatibility	1 solid state relay SSR panel
Thermal resistance	0.7 °C/W
Mounting Support	Panel
Material	Aluminium
Surface Finish	Black anodized
Surface and useful surface	254.20 in ² (1640 cm ²)
Number of mounting holes	6 UNC 8-32
Tightening torque	15.05...19.47 lbf.in (1.7...2.2 N.m)
Sale per indivisible quantity	1
Width	5.50 in (139.7 mm)
Height	4.75 in (120.7 mm)
Depth	2.63 in (66.8 mm)
Net Weight	0.02 oz (0.526 g)

Ordering and shipping details

Category	22375 - INTERFACE MODULE(ABA,R,S)
Discount Schedule	CP2
GTIN	3606485442198
Nbr. of units in pkg.	1
Package weight(Lbs)	21.41 oz (607 g)
Returnability	Yes
Country of origin	CN

Packing Units

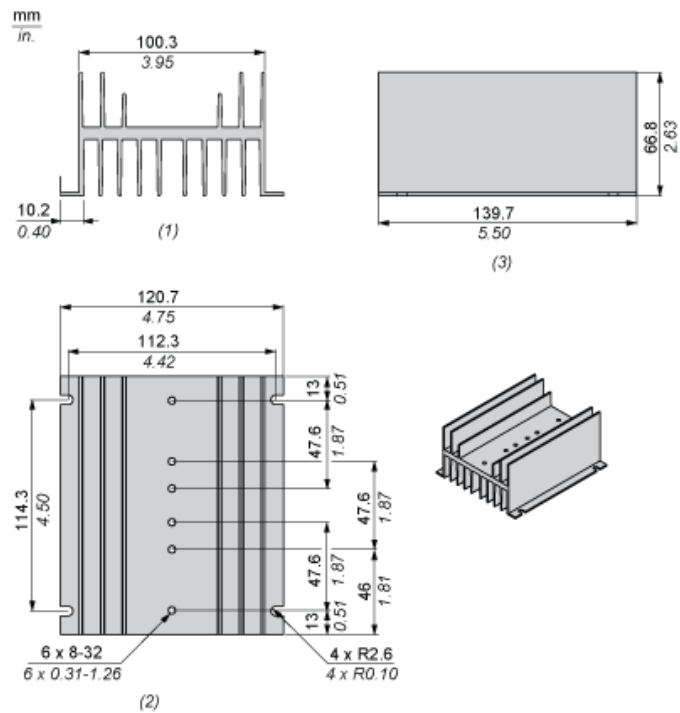
Unit Type of Package 1	PCE
Package 1 Height	2.63 in (6.68 cm)
Package 1 width	4.75 in (12.07 cm)
Package 1 Length	5.50 in (13.97 cm)
Unit Type of Package 2	S03
Number of Units in Package 2	3
Package 2 Weight	4.10 lb(US) (1.86 kg)
Package 2 Height	11.81 in (30 cm)

Package 2 width	11.81 in (30 cm)
Package 2 Length	15.75 in (40 cm)

Offer Sustainability

Sustainable offer status	Green Premium product
California proposition 65	WARNING: This product can expose you to chemicals including: Nickel compounds, which is known to the State of California to cause cancer, and Di-isodecyl phthalate (DIDP), which is known to the State of California to cause birth defects or other reproductive harm. For more information go to www.P65Warnings.ca.gov
REACH Regulation	REACH Declaration
REACH free of SVHC	Yes
EU RoHS Directive	Pro-active compliance (Product out of EU RoHS legal scope) EU RoHS Declaration
Toxic heavy metal free	Yes
Mercury free	Yes
RoHS exemption information	Yes
China RoHS Regulation	China RoHS Declaration
Environmental Disclosure	Product Environmental Profile

Dimensions



- (1) Front view
- (2) Top view
- (3) Side view