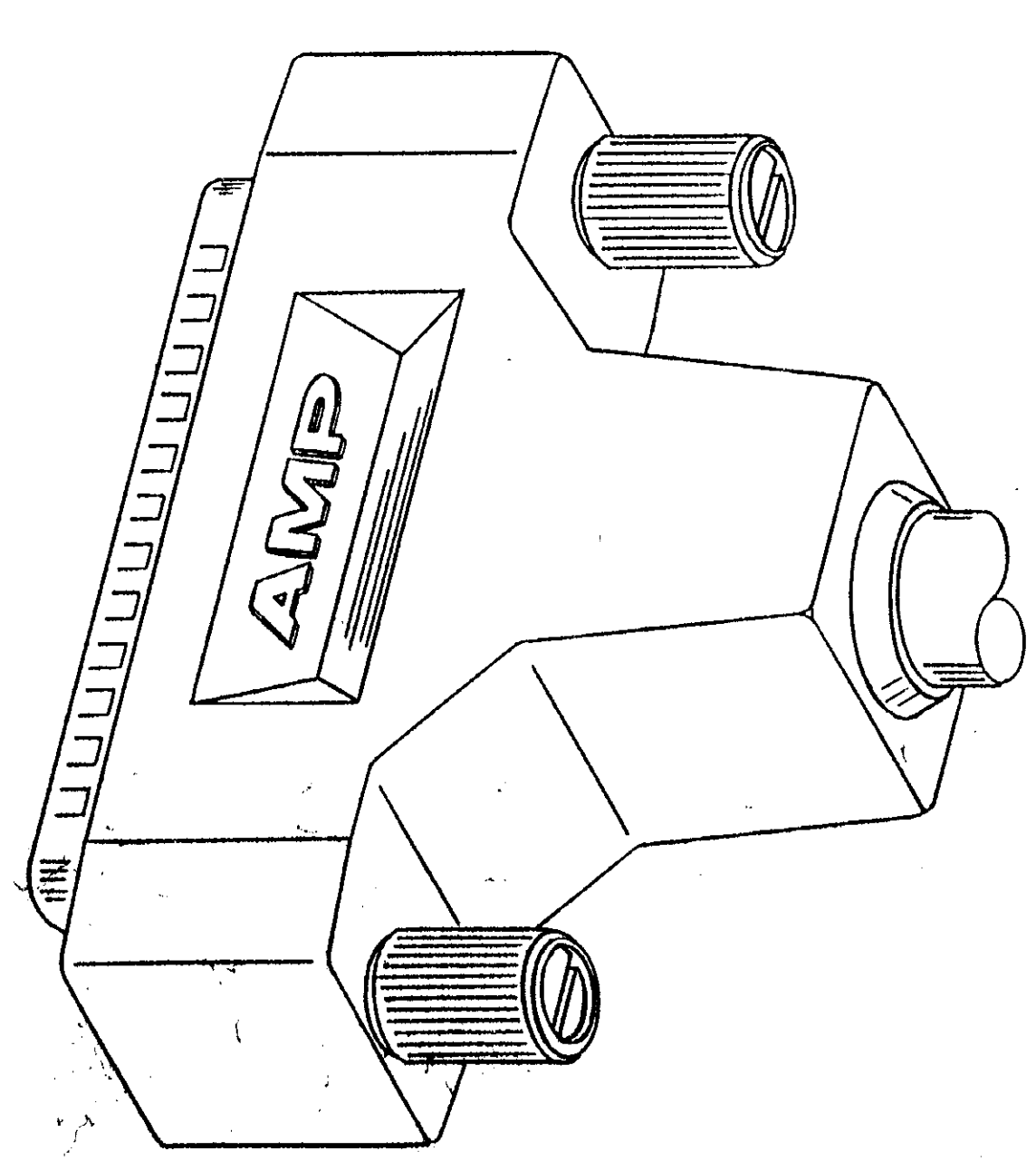
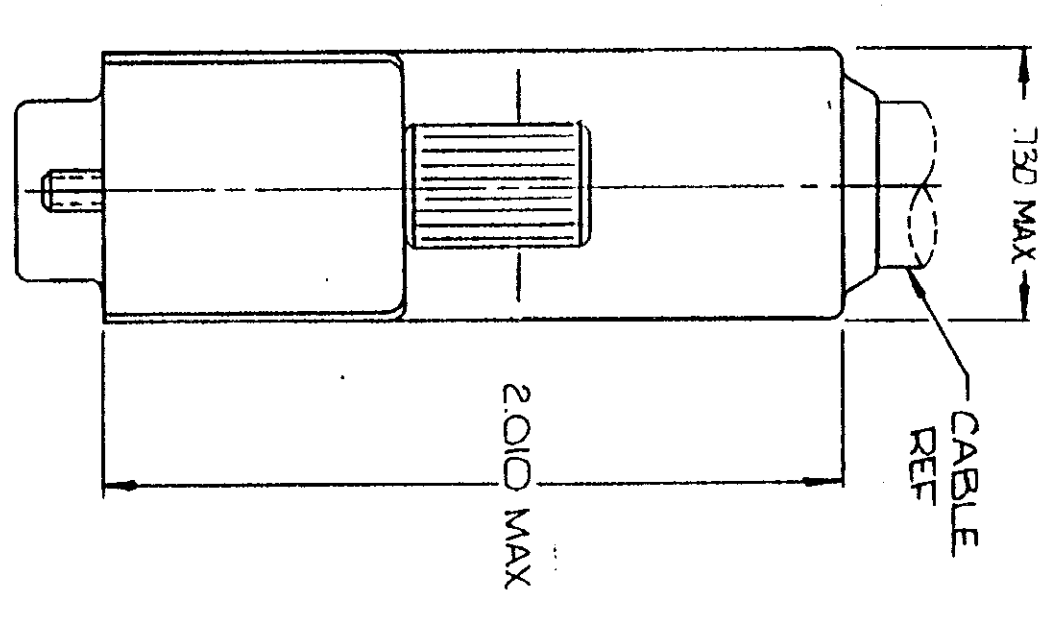
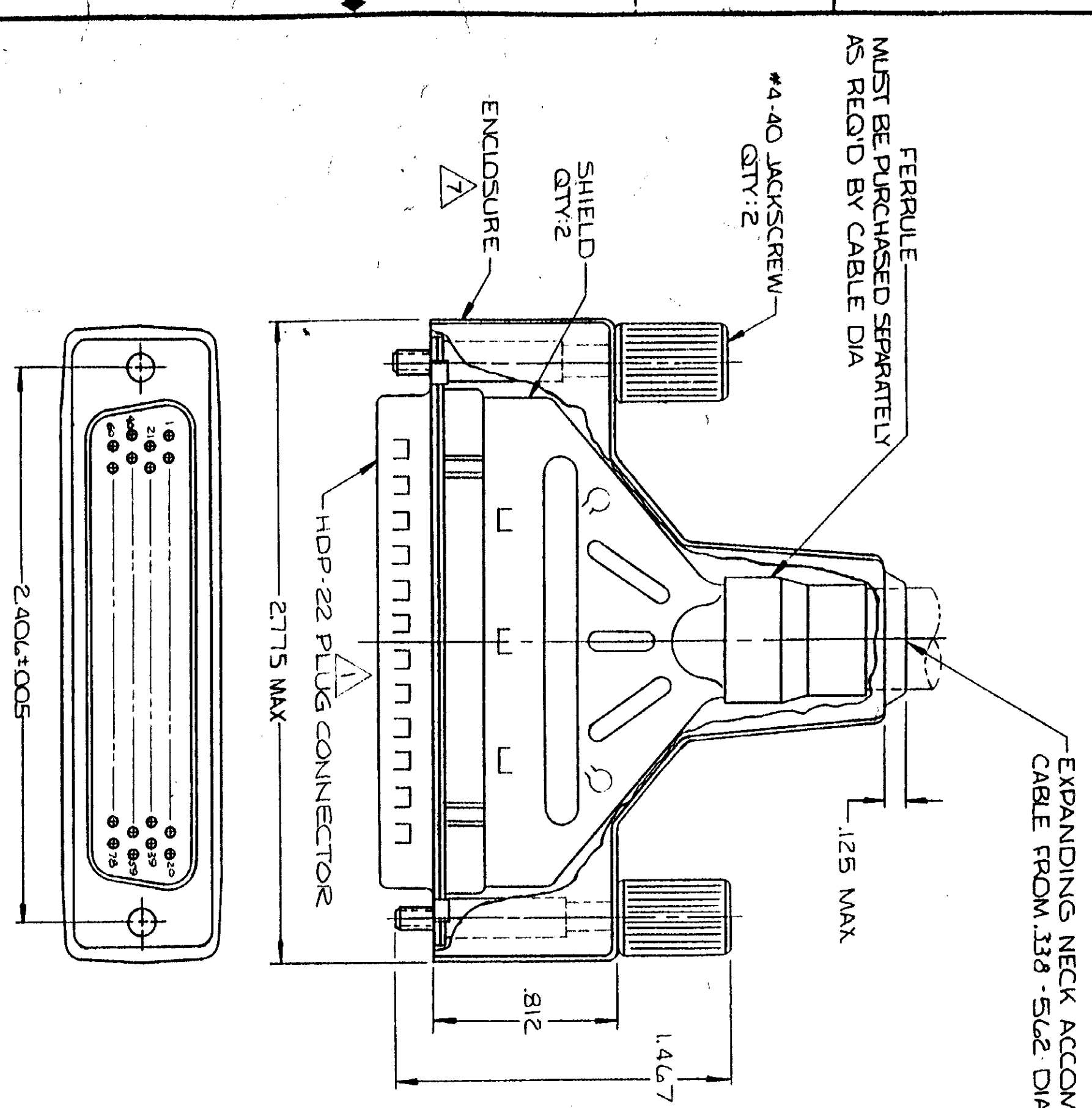


THIS DRAWING IS UNPUBLISHED. RELEASED FOR PUBLICATION 19
 COPYRIGHT 19 BY AMP INCORPORATED, HARRISBURG, PA. ALL INTERNATIONAL RIGHTS RESERVED. AMP PRODUCTS MAY BE COVERED BY U.S. AND FOREIGN PATENTS AND/OR PATENTS PENDING.



1. PLUG ACCEPTS SIZE 22 DFP PIN CONTACTS, CONTACTS MUST BE PURCHASED SEPARATELY.
2. ALL PARTS SHIPPED UNASSEMBLED, EACH PART INDIVIDUALLY BULK PACKED.
3. FLAME RETARDANT 94V-0 RATED, GLASS-FILLED NYLON, COLOR: BLACK.
4. STEEL PER ASTM A109.
5. TIN PLATING PER MIL-T-10727.
6. ZINC PLATING PER ASTM B633, TYPE II, CLASS SC1, BLACK CHROMATE.
7. FLAME RETARDANT 94V-0 RATED, STYRENE POLYOLEFIN OR PVC, COLOR: BLACK.

REVISIONS			
P F ZONE	LTR	DESCRIPTION	DATE APPROVED
0	A	RELEASED WAS 86-5520-5	
1	A	REVISED - ECN BD2607	11/30/88 EW
2	B	REV PER ECN BD2328	2/17/89 RW
3	C	REV PER ECN BD4294	4-24-90
4	D	REVISED PER ECN BD6133	4-6-92 TMS

UNLESS OTHERWISE SPECIFIED DIMENSIONS ARE IN INCHES. TOLERANCES ON: DECIMALS ± .020 ANGLES		CONTRACT NO	
MATERIAL		DR	
INSERT: △		4-28-97	
SHELLS & SHIELDS: △		CHK	
JACKSCREWS: ZINC ALLOY		4-30-87	
FINISH		APRD	
SHELLS & SHIELDS: △		4-30-87	
JACKSCREWS: △		APPD	
		4/30/87	
		DSGN APPD	
		OTHER APPD	
AMP		NAME	
AMP INCORPORATED		SHIELDING ENCLOSURE KIT,	
HARRISBURG, PA. 17105		AMPLIMITE® HDP-22	
PART NO. 748477-1		SIZE	
		FSCM NO	
		DRAWING NO	
		00779	
		SCALE	
		2:1	
		SHEET	
		1 OF 1	