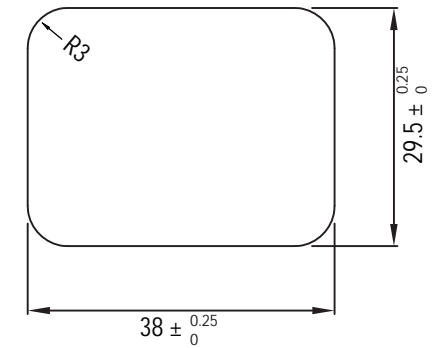
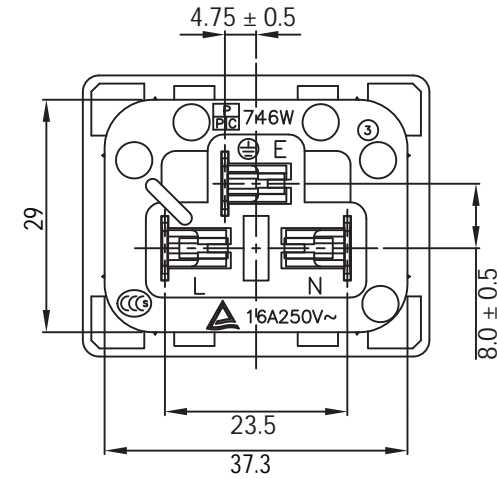
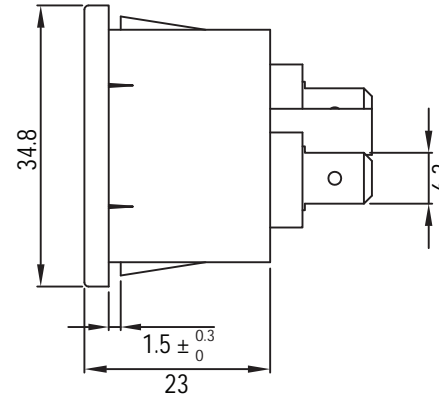
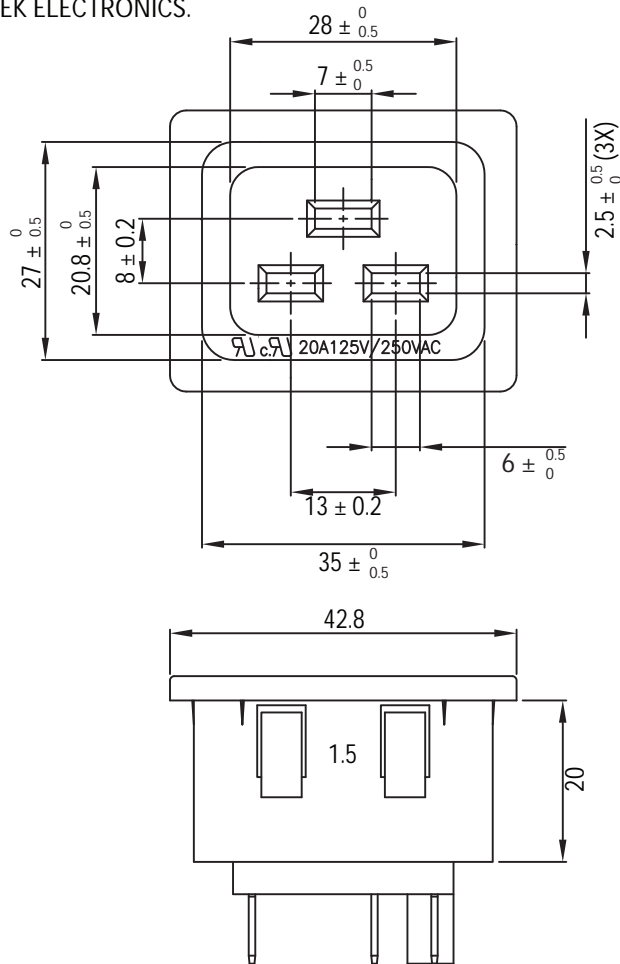


THESE DRAWINGS ARE THE PROPERTY OF QUALTEK ELECTRONICS AND NOT TO BE REPRODUCED FOR OR COMMUNICATED TO A THIRD PARTY WITHOUT THE EXPRESS WRITTEN PERMISSION OF AN OFFICER OF QUALTEK ELECTRONICS.

REVISION			
REV.	DESCRIPTION	DATE	APPROVED
B	RoHS Compliancy	06-01-06	DP
C	Dimensional Changes	07-25-07	DP
D	Added Dimensions	03-11-13	LY
E	Updated Approvals	12-22-20	LY



PANEL CUTOUT

NOTES:

RATING:

UL, cUL: 20A 125V/250V AC
 TUV, CCC: 16A 250V AC
 APPROVALS: UL, cUL, TUV, CCC
 PANEL THICKNESS: 1.5mm
 IEC 60320 C19
 RoHS COMPLIANT

CONTROLLED

Dim range (mm)	Tolerance +/- (mm)	Qualtek Electronics Corp. PPC DIVISION		
		Part Number: 746W-15/08	RoHS Compliant	
0-1	0.15	Description: AC RECEPTACLE		
1-6	0.20			
6-18	0.50			
18-50	1.20			
50-120	1.20	UNIT: mm	REV. E	
120-250	1.50	Drawn / Date	Checked / Date	Approved / Date
250-500	1.70	B.ZHANG 04-02-05	04-02-05	JJH / 04-02-05