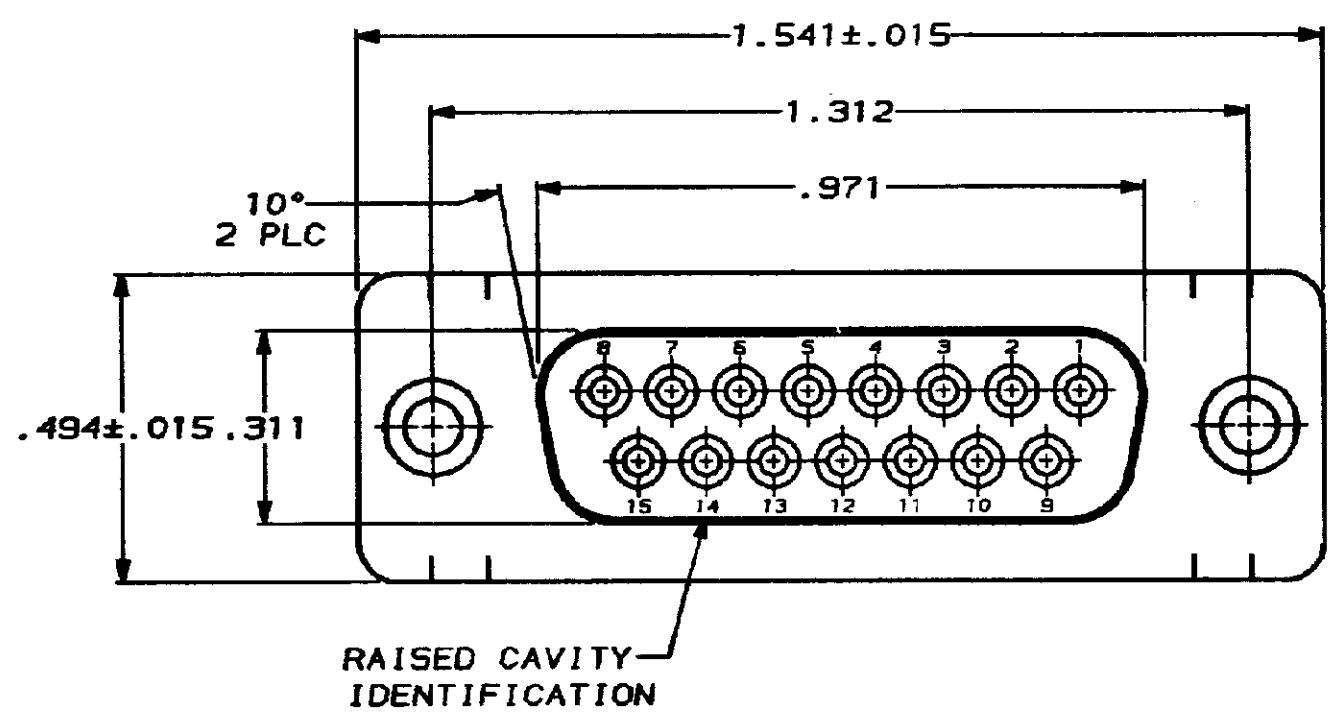
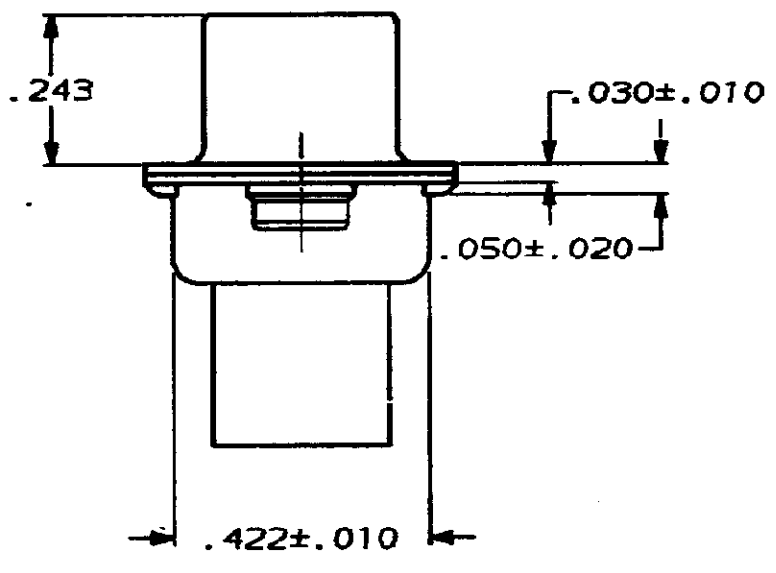
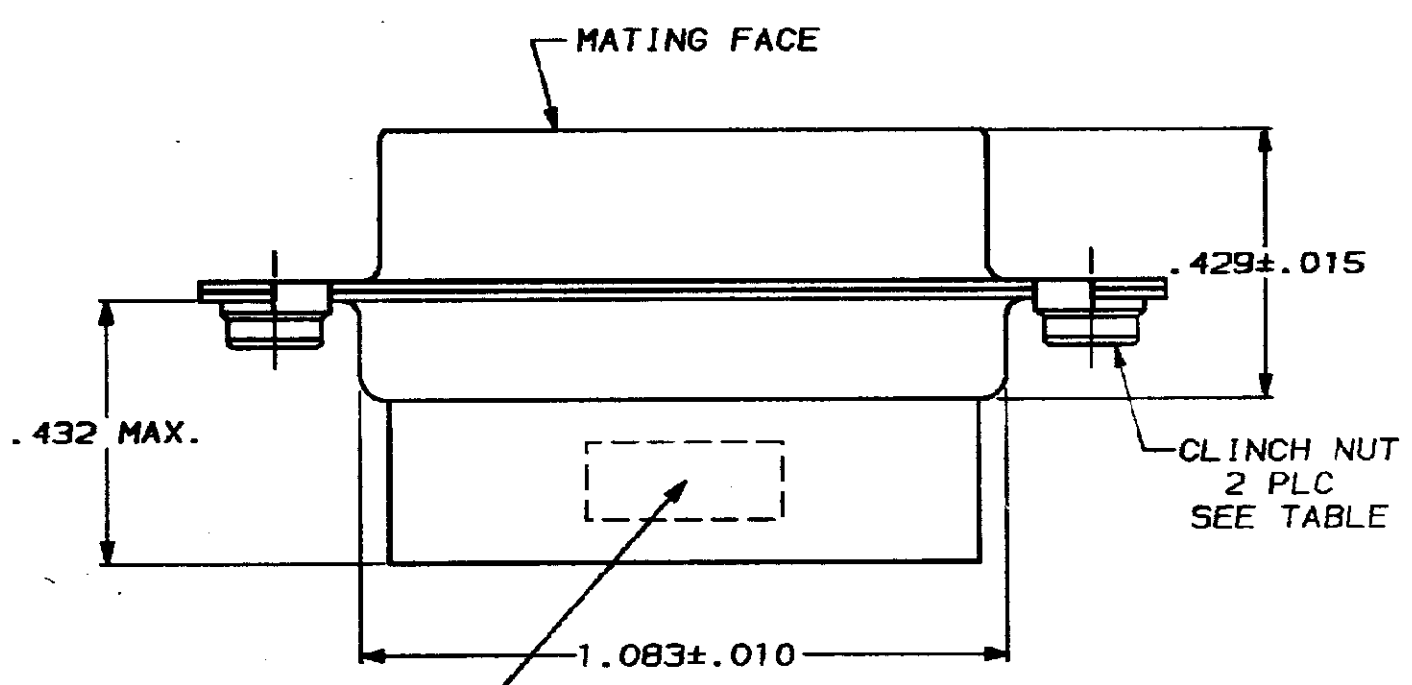


DRAWING MADE IN THIRD ANGLE PROJECTION
 THIS DRAWING IS UNPUBLISHED. RELEASED FOR PUBLICATION .19
 © COPYRIGHT 19 BY AMP INCORPORATED. ALL INTERNATIONAL RIGHTS RESERVED.

REV	LOC	DIST	ZONE	LTR	DESCRIPTION	DATE	APPD
3	BD	39			RELEASED	-	-
					O ₁ REVISED ECN-0755	10-15-84	SW
					A ADDED -2 PER NPR 3518	5-10-91	MZ
					B SUPERSEDED -2 PER EC 0U1D-0260-00	19SEP01	JG



- 1. CONNECTOR ACCEPTS SIZE 20 DF SOCKET CONTACTS, RETENTION TINES ARE AN INTEGRAL PART OF INSERT.
- △ FLAME RETARDANT 94V-0 RATED THERMOPLASTIC; COLOR, BLACK.
- △ STEEL PER QQ-S-698.
- △ TIN PLATED PER MIL-T-10727.



SUPERSEDED BY 205205-1	M-3	745909-2
	4-40	745909-1
	CLINCH NUT THREAD TYPE	PART NO

DO NOT SCALE PRINT. UNLESS SPECIFIED DIMENSIONS ARE IN INCHES TOLERANCES ON: 2 PLC DEC ± 3 PLC DEC ± .005 ANGLES ± 2°	DR 7-9-82 J.GERACE	AMP AMP Incorporated Harrisburg, PA 17105-3608		
	CHK 7-9-82 J.GERACE			
MATERIAL MOLDED PARTS: △ SHELLS: △	APPD 8-3-82 J.FULPONI	NAME RECEPTACLE CONNECTOR, SIZE 2, 15 POSN, WITH CLINCH NUTS, AMPLIMITE HDP		
	APPD 8-4-82 E.GILL			
FINISH SHELLS: △	PRODUCT SPEC 108-40005	SIZE C	CASE CODE 00779	DRAWING NO 745909
	APPLICATION SPEC	WEIGHT	SCALE	SHEET 1 OF 1