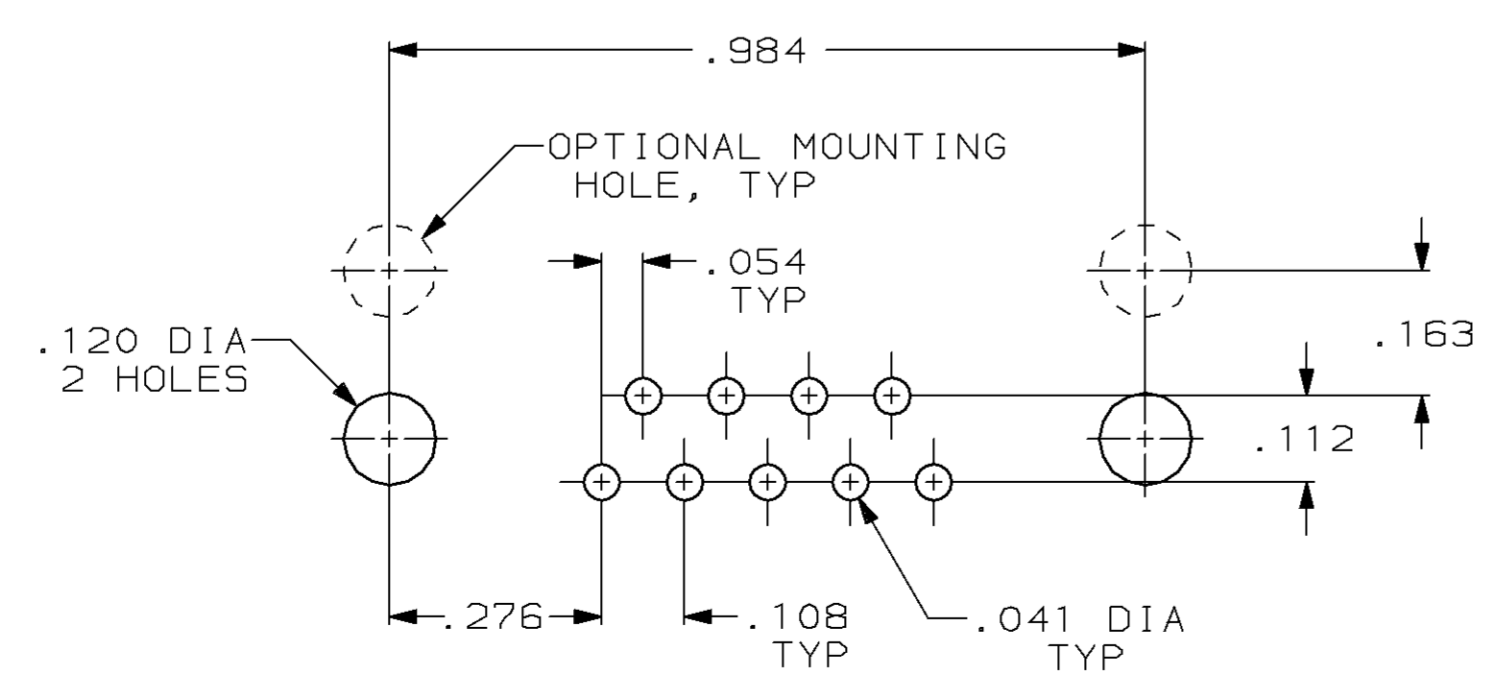
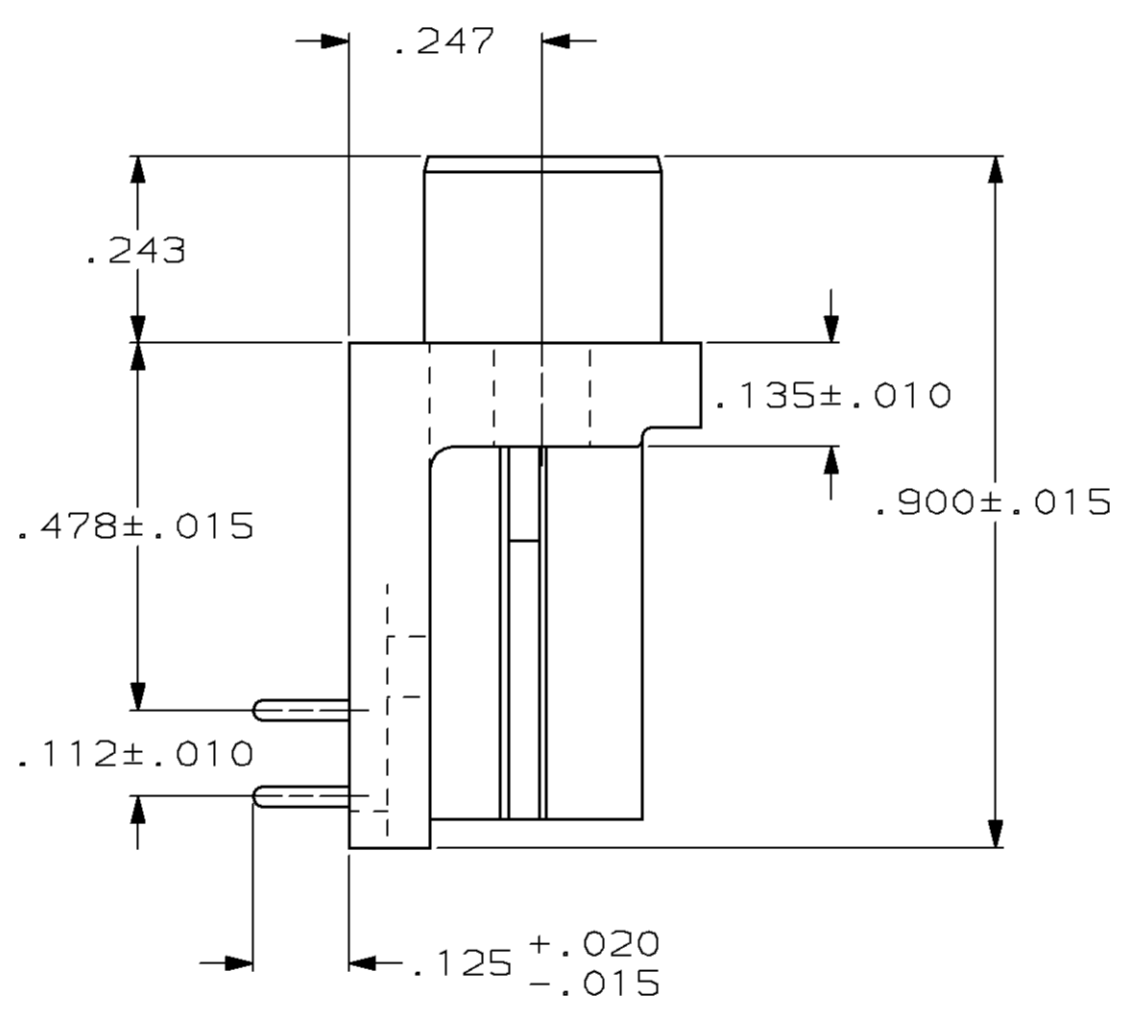
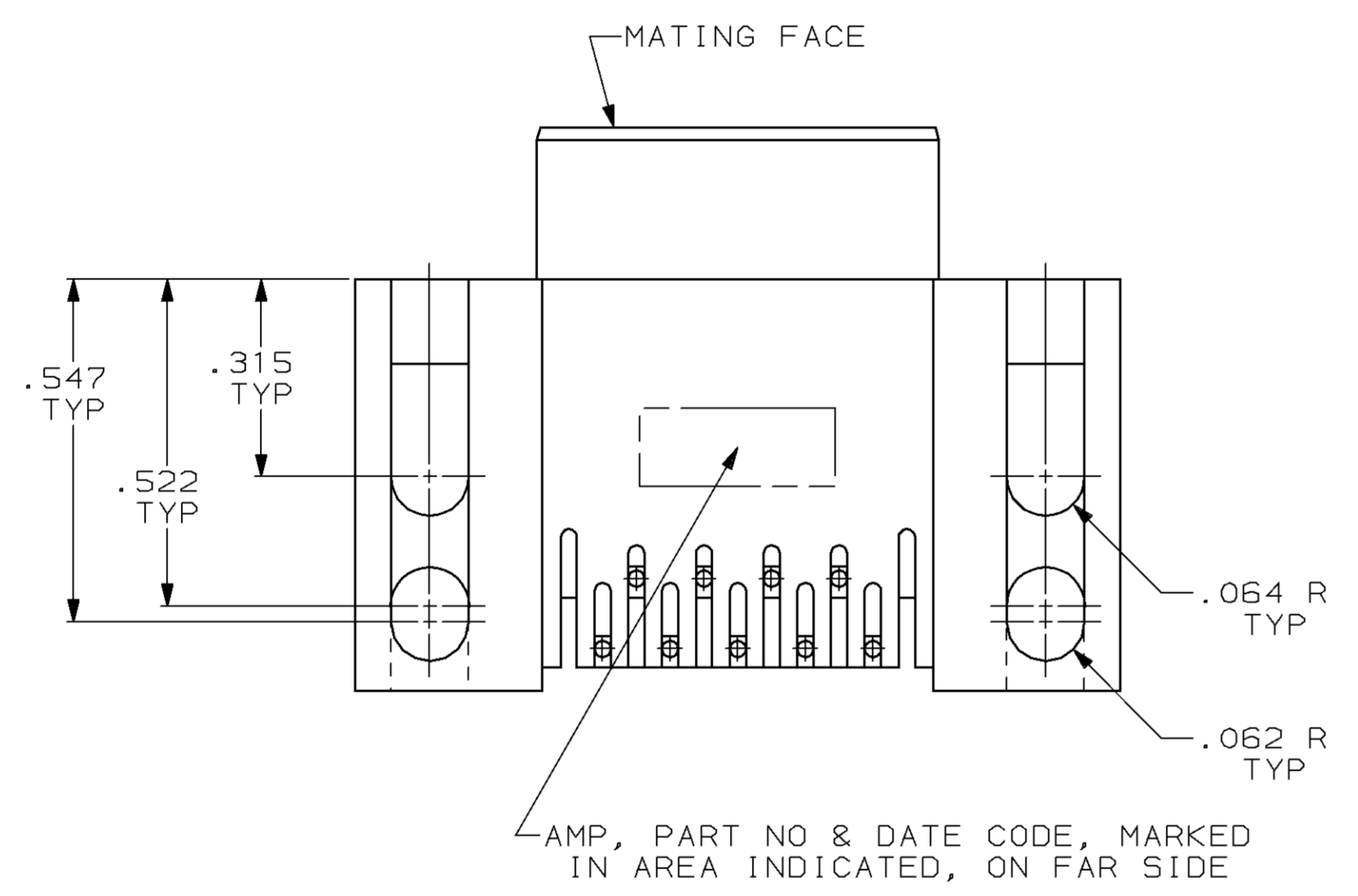
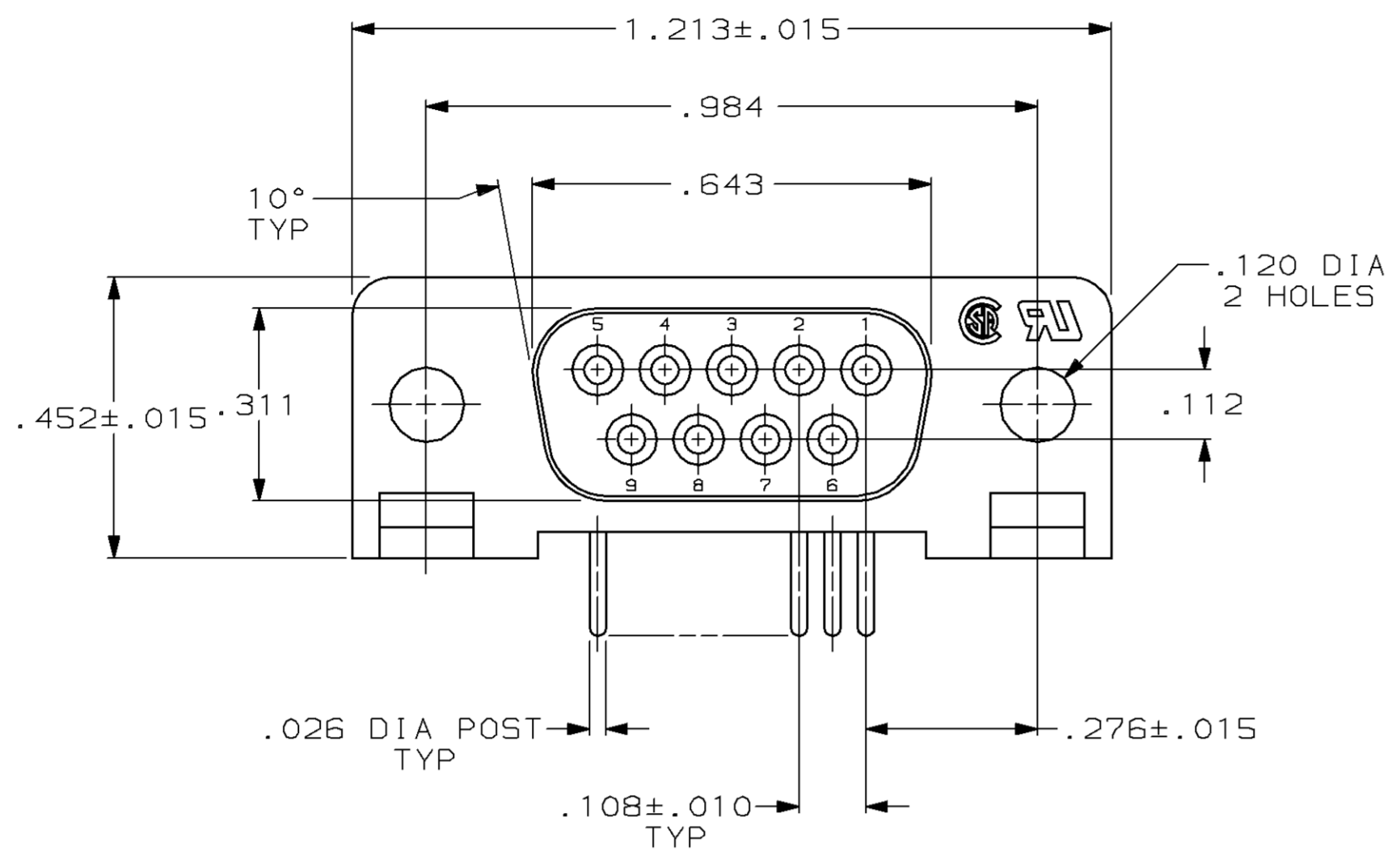


DRAWING MADE IN THIRD ANGLE PROJECTION
 THIS DRAWING IS UNPUBLISHED. RELEASED FOR PUBLICATION
 © COPYRIGHT 19 BY AMP INCORPORATED, HARRISBURG, PA. ALL INTERNATIONAL RIGHTS RESERVED. AMP PRODUCTS MAY BE COVERED BY U.S. AND FOREIGN PATENTS AND/OR PATENTS PENDING.

LOC		DIST		REVISONS				
BD	77	P	F	ZONE	LTR	DESCRIPTION	DATE	APPD
				A		REV & REDRAWN ECN-1747	-	-
				B		REVISED ECN-BD2289	11-14-88	PAK
				C		REVISED ECN-BD3407	11-19-88	WJS
				D		SUPSD -1 PER EC 0020-967-93	03/22/94	SB



P.C. BOARD MOUNTING DIMENSIONS Δ

- Δ 1 FLAME RETARDANT, 94V-0 RATED, GLASS FILLED NYLON OR POLYESTER, COLOR: BLACK.
- Δ 2 PHOS. BRONZE PER QQ-B-750.
- Δ 3 REFER TO APPLICATION SPEC FOR RECOMMENDED P.C. BOARD MOUNTING DIMENSIONS FOR AUTOMATIC INSERTION.
- Δ 4 GOLD PLATING PER MIL-G-45204, TIN PLATING PER MIL-T-10727, NICKEL PLATING PER QQ-N-290.
- Δ 5 PLATED WITH GOLD FLASH FOR LENGTH OF .055 MIN FROM MATING END, WITH POINT OF MEASUREMENT .035 FROM MATING END OF CONTACT, .000100-.000200 TIN OR TIN-LEAD ON SOLDER END, ALL OVER .000050 NICKEL ON ENTIRE CONTACT.
- Δ 6 PLATED WITH .000030 GOLD FOR LENGTH OF .055 MIN FROM MATING END, WITH POINT OF MEASUREMENT .035 FROM MATING END OF CONTACT, .000100-.000200 TIN OR TIN-LEAD ON SOLDER END, ALL OVER .000050 NICKEL ON ENTIRE CONTACT.

UNLESS OTHERWISE SPECIFIED DIMENSIONS ARE IN INCHES TOLERANCES ON:		DR 5-5-87 S.WELDON	SUPSD BY 745330-2		Δ 6 745330 -2
2 PL DEC ± .005	3 PL DEC ± .005	CHK 5-5-87 C.RICHARD			Δ 5 745330 -1
ANGLES ± 2°		APPD 5-5-87 B.TAYLOR			FINISH PART NUMBER
MATERIAL MOLDED PARTS: CONTACTS:		APPD 5-5-87 J.ASSINI			
		PRODUCT SPEC 108-40005			
FINISH CONTACTS: SEE TABLE		APPLICATION SPEC 114-40015	SIZE D	FSCM NO 00779	DRAWING NO 745330
		WEIGHT -	SCALE 4:1		SHEET 1 of 1

CUSTOMER DRAWING