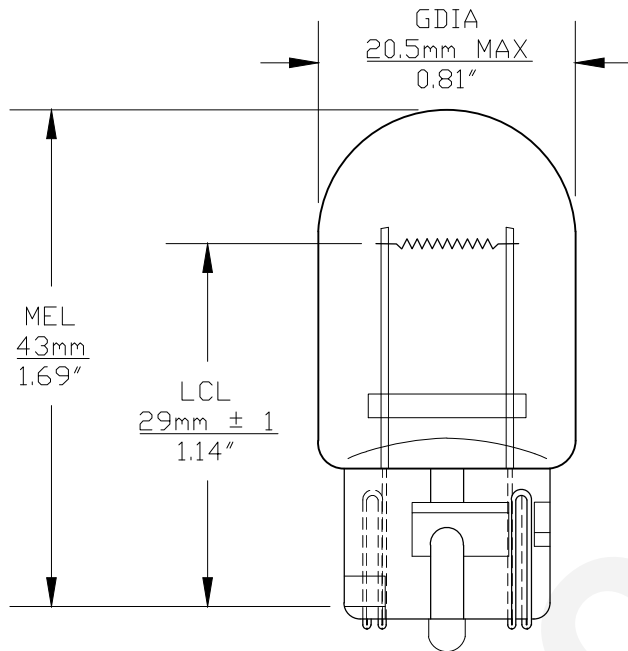
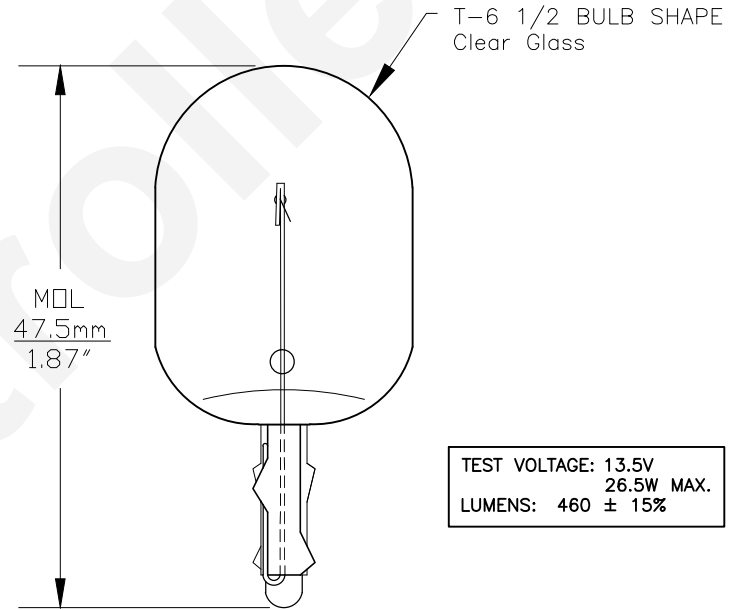




PART NO.	BASE TYPE	DESIGN VOLTS	DESIGN AMPS	MSCD	FILAMENT TYPE	AVERAGE LIFE HOURS	REVISIONS			
							REV #	DESCRIPTION	DATE	APPROVED
7440LL	Glass Wedge W3X16d (T-6 1/2)	13.5V	1.75±15%	35.0±15%	C-6	600 ⊕ 13.5V	1	ISSUED	11/12/2008	D.C.
							2	REVISED LCL TOLERANCE	06/22/2012	D.C.
							3	ADDITIONAL VIEWS	06/27/2014	R.M.

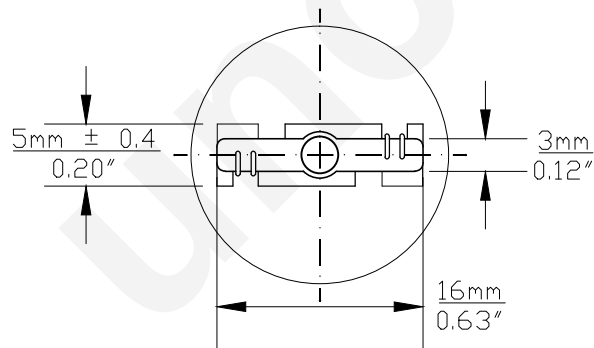


0° VIEW



90° VIEW

TEST VOLTAGE: 13.5V  
26.5W MAX.  
LUMENS: 460 ± 15%



BASE BOTTOM VIEW

Note: Made according to SAE specifications



UNLESS OTHERWISE SPECIFIED: DIMENSIONS ARE IN INCHES TOLERANCES		CEC INDUSTRIES LTD			
DECIMALS	ANGULAR	599 BOND STREET		LINCOLNSHIRE, IL 60069	
.XX ± .05	± 0.5°				
.XXX ± .010					
FRACTIONAL	± 1/64				
DRAWN DENNIS C.	DATE 11/12/2008	TITLE LIGHT BULB NO. 7440LL			
CHECKED		SIZE A	FSCM NO.	DWG NO. 7440LL	REV 3
DESIGN		SCALE	PLOT SCALE	SHEET 1 OF 1	
MATERIAL		FILE 7440LL.pdf	DRAWING NOT TO SCALE		