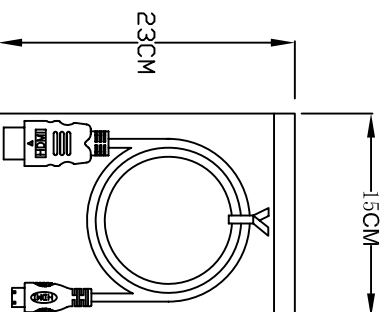
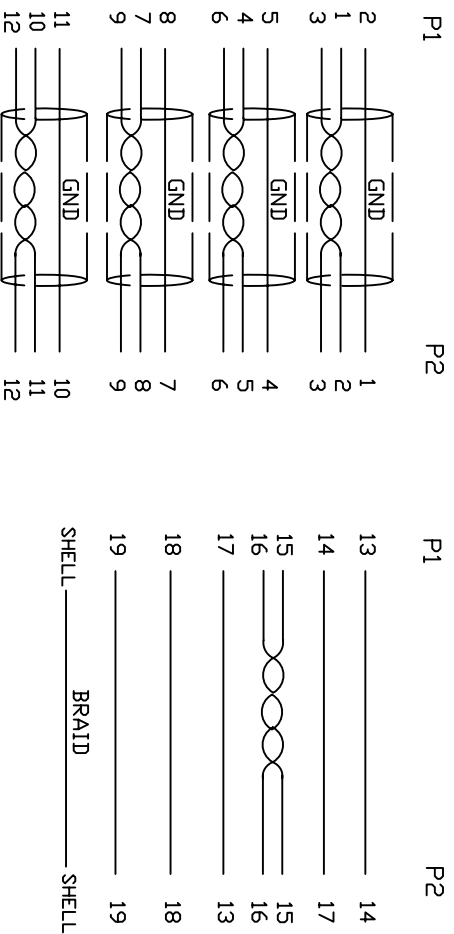


1. Wiring Diagram.



2. Cable test condition :

Open / Short : 100%

Insulation resistance : 5M ohms

Contact resistance : 2 ohm

Hipot : DC 300V / 1 sec

3. Each pcs with PE polybag.

7	COPER	W25MM*H45MM	1	
6	COPER	W20MM*H35MM	1	
5	PVC	45P PVC BLACK OVERMOLD	259	
4	PE	LLDPE 500026 6201 INSIDE MOLDING	169	
3	CONN	HDMI C TYPE MALE PIN G/F ,SHELL PLATED NICKEL, INSULATION BLACK	1	P2
2	CONN	HDMI A TYPE MALE PIN G/F ,SHELL PLATED NICKEL, INSULATION BLACK	1	P1
1	CABLE	UL20276 《30AWG (7/0.115) *P+EA+AL/MY》 *4+30AWG (7/0.115) *5C +AEM(16/6/0.12AM) ODD.0 BLACK	1	1500mm

NO.	PART NO.	DESCRIPTION	QTY	UNIT/REF
BILL OF MATERIAL				
Cnc Tech,LLC				
DRAWN		DATE	INITIAL RELEASE	
CHECKED		DATE	2017/7/26	
APPROVAL		DATE	DESCRIPTION	
		DATE	TITLE	
		DATE	HDMI A/M TO HDMI C/M CABLE	
		DATE	DWN NO. 742-10010-00150	
		DATE	CUSTOMER P/N:	
		DATE	CUSTOMER:	
		DATE	SHEET 1 OF 1	