

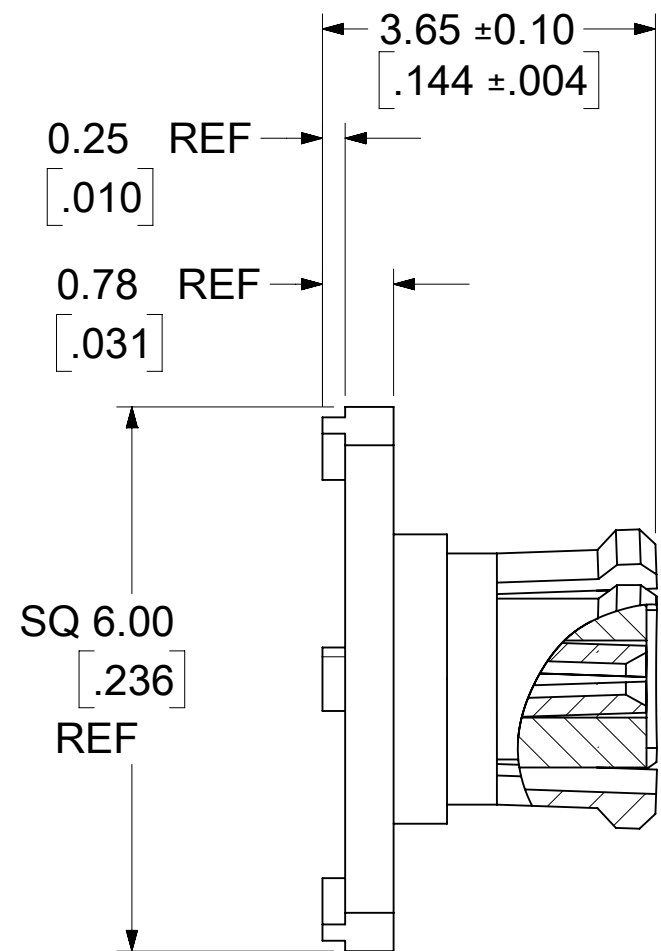
MATERIALS AND FINISHES:

BODY: BRASS
 PLATED: GOLD (10μ-in MIN)
 OVER NICKEL (100μ-in MIN)

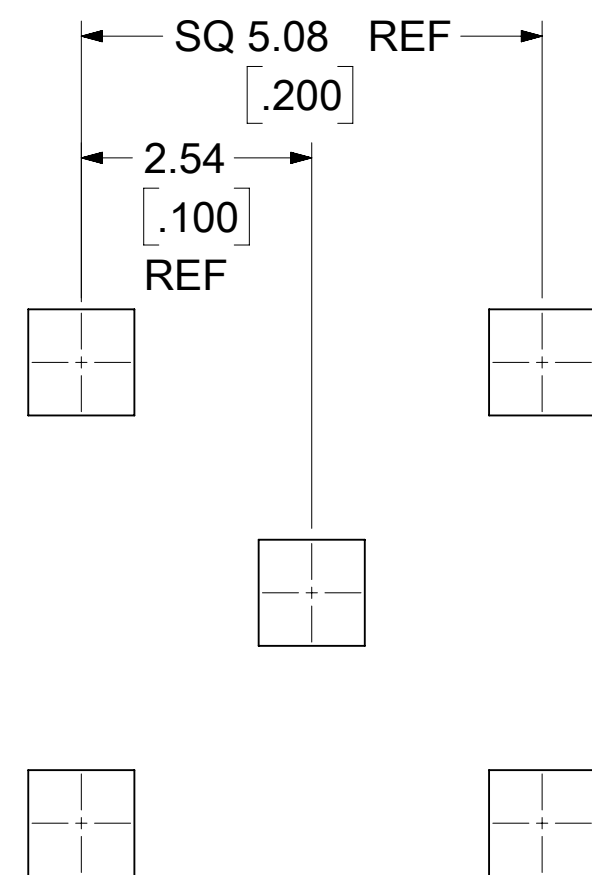
CENTER CONTACT: BRASS
 PLATED: GOLD (30μ-in MIN)
 OVER NICKEL (100μ-in MIN)

INSULATOR: PTFE

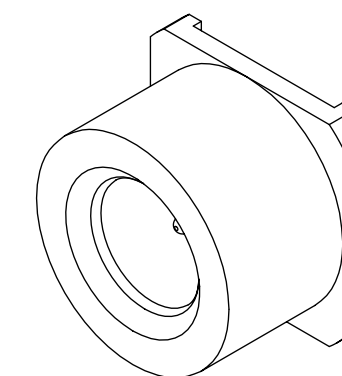
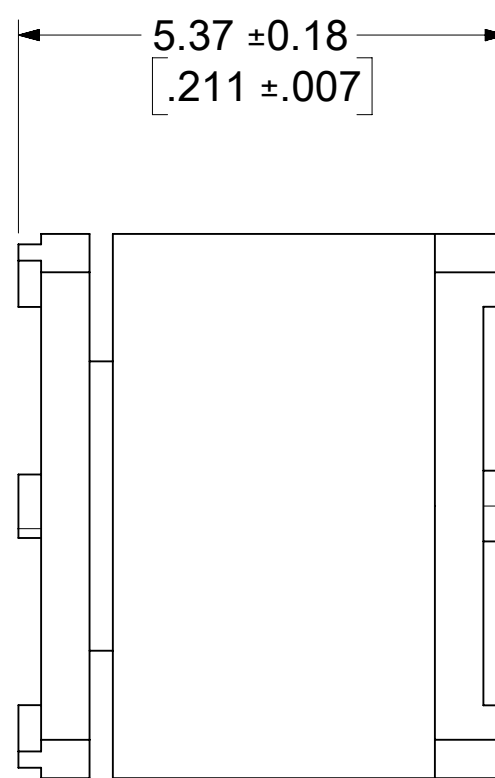
KAPTON: POLYIMIDE
 COLOR: BLACK



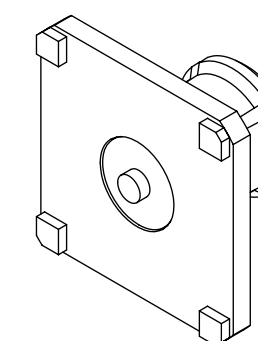
MOD SMP JACK
 (MOLEX 73415-5300)



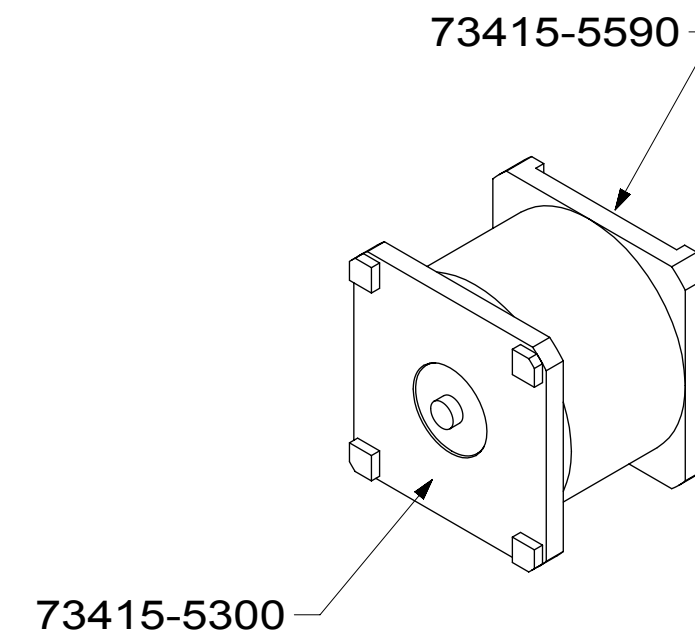
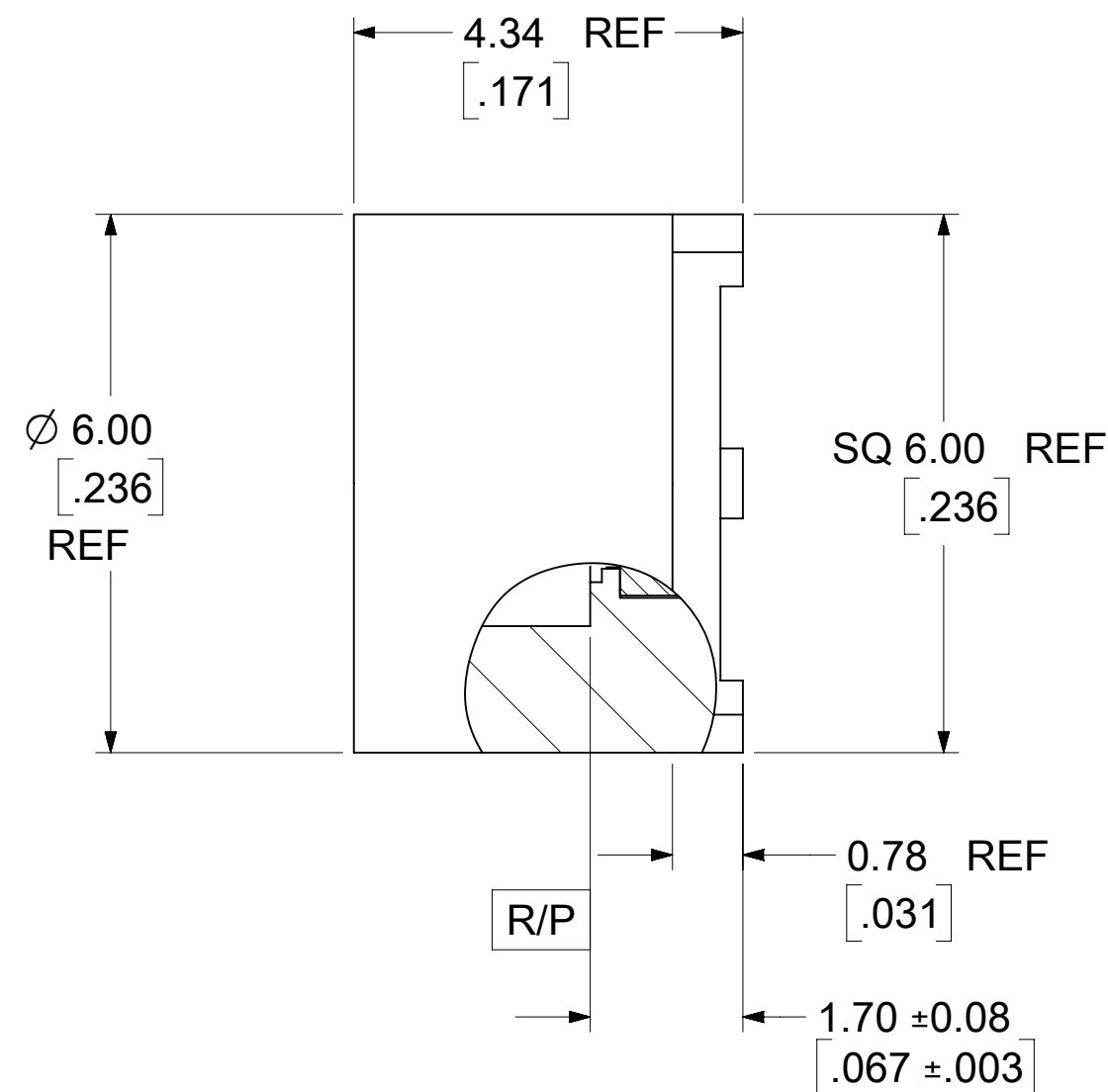
RECOMMENDED PCB LAYOUT



MOD SMP PLUG
 (MOLEX 73415-5590)



MOD SMP JACK
 (MOLEX 73415-5300)

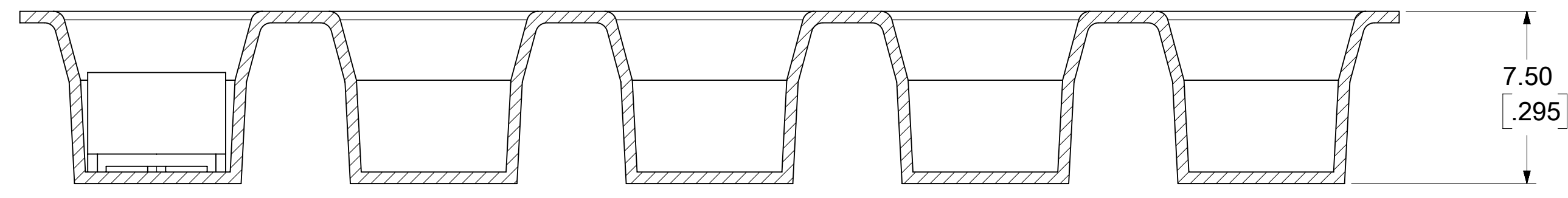
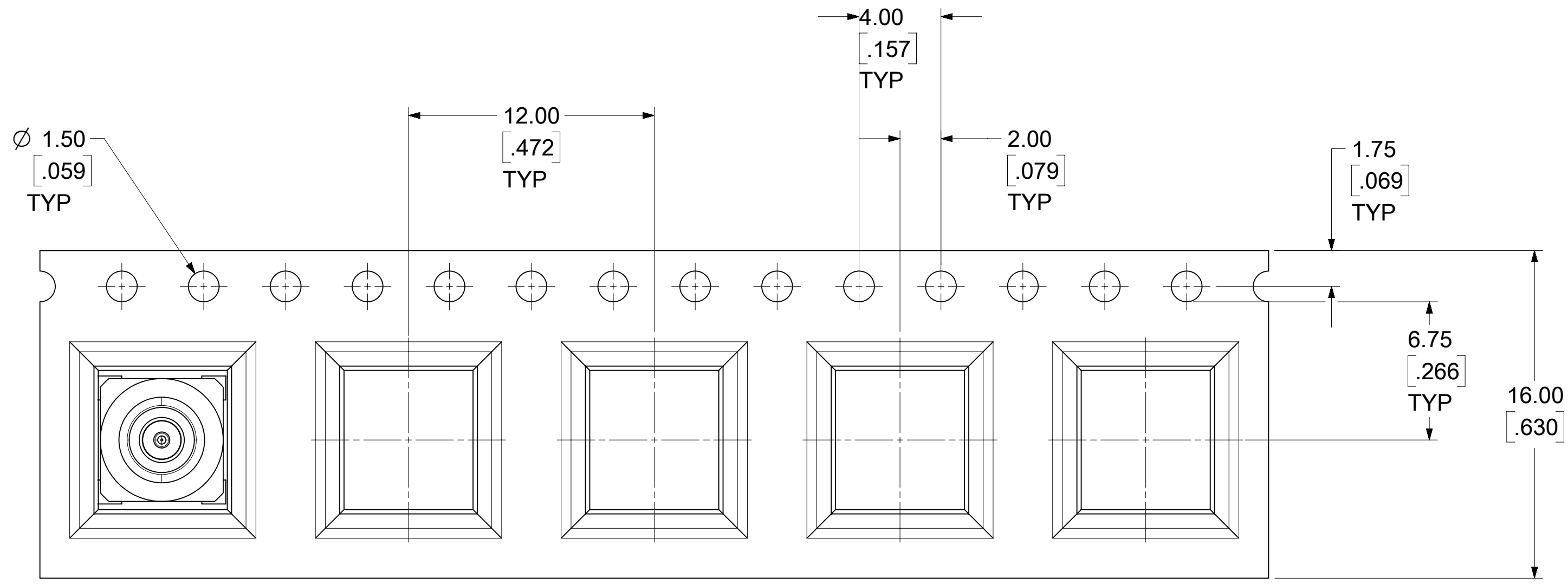


MOD SMP PLUG
 (MOLEX 73415-5590)

73415-5593	ONE PER BAG	895420470
73415-5592	TAPE AND REEL PACKAGING WITH KAPTON	-----
73415-5591	TAPE AND REEL PACKAGING WITHOUT KAPTON	-----
73415-5590	TRAY	895420040
PART NO.	DESCRIPTION	PACKING SPEC

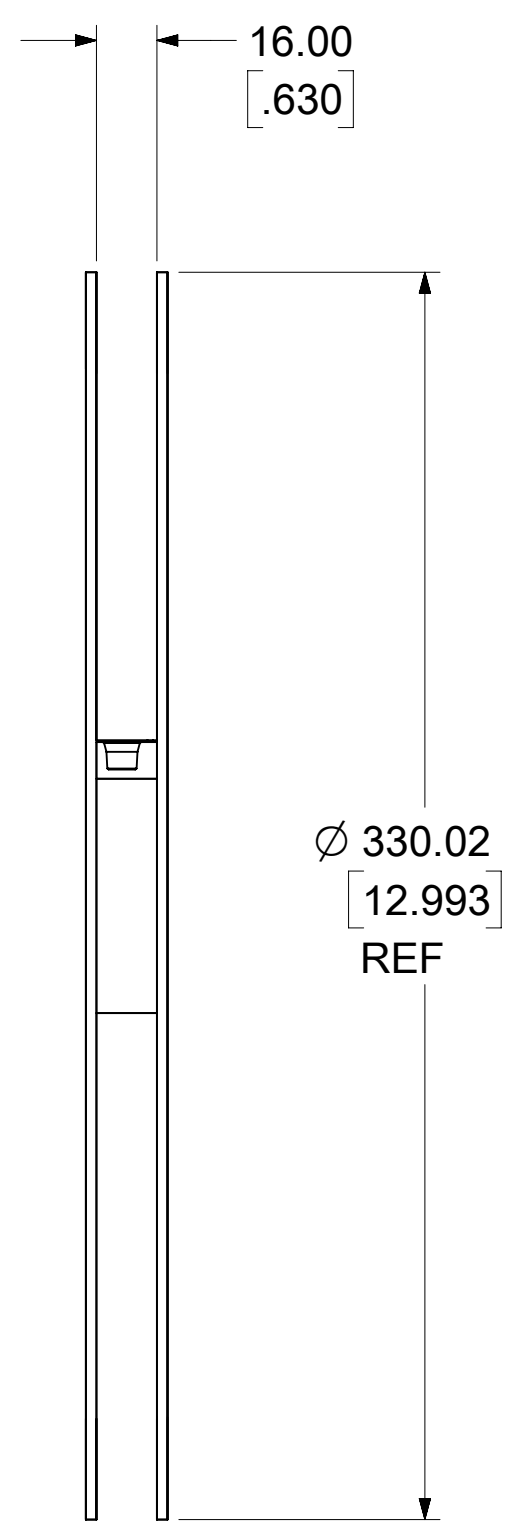
PS-89675-3320	PRODUCT SPECIFICATION
MIL-STD-348B, FIG. 326.1	INTERFACE SMP JACK
MIL-STD-348B, FIG. 326.5	INTERFACE SMP PLUG
SPECIFICATION	DESCRIPTION

FUNCTIONAL SYMBOLS	THIS DRAWING CONTAINS INFORMATION THAT IS PROPRIETARY TO MOLEX ELECTRONIC TECHNOLOGIES, LLC AND SHOULD NOT BE USED WITHOUT WRITTEN PERMISSION						
	DIMENSION UNITS	SCALE	CURRENT REV DESC:				
$\nabla_A = 0$	MM/INCH	NTS	EWR # 15321-E ADDED -5593 PART NO				
$\nabla_C = 0$	GENERAL TOLERANCES (UNLESS SPECIFIED)		EC NO: 718007 DRWN: BSHAH 2022/04/18 CHK'D: YCHENG 2022/08/24 APPR: YCHENG 2022/08/24				
$\nabla_P = 0$	ANGULAR TOL ± 2.0°						
DIVISIONAL SYMBOLS	4 PLACES	±	INITIAL REVISION: DRWN: JMASTRIANO 2005/10/10 APPR: JWIENER 2005/10/11				
	3 PLACES	±					
	2 PLACES	± 0.25					
	1 PLACE	±					
0 PLACES	±		DOCUMENT NUMBER: SD-73415-559				
DRAFT WHERE APPLICABLE MUST REMAIN WITHIN DIMENSIONS		THIRD ANGLE PROJECTION	DRAWING: C-SIZE	SERIES: 73415	DOC TYPE: PSD	DOC PART: 001	REVISION: A6
DOCUMENT STATUS: P1	RELEASE DATE: 2022/08/24 02:18:09	MATERIAL NUMBER: GENERAL MARKET		CUSTOMER: GENERAL MARKET		SHEET NUMBER: 1 OF 3	

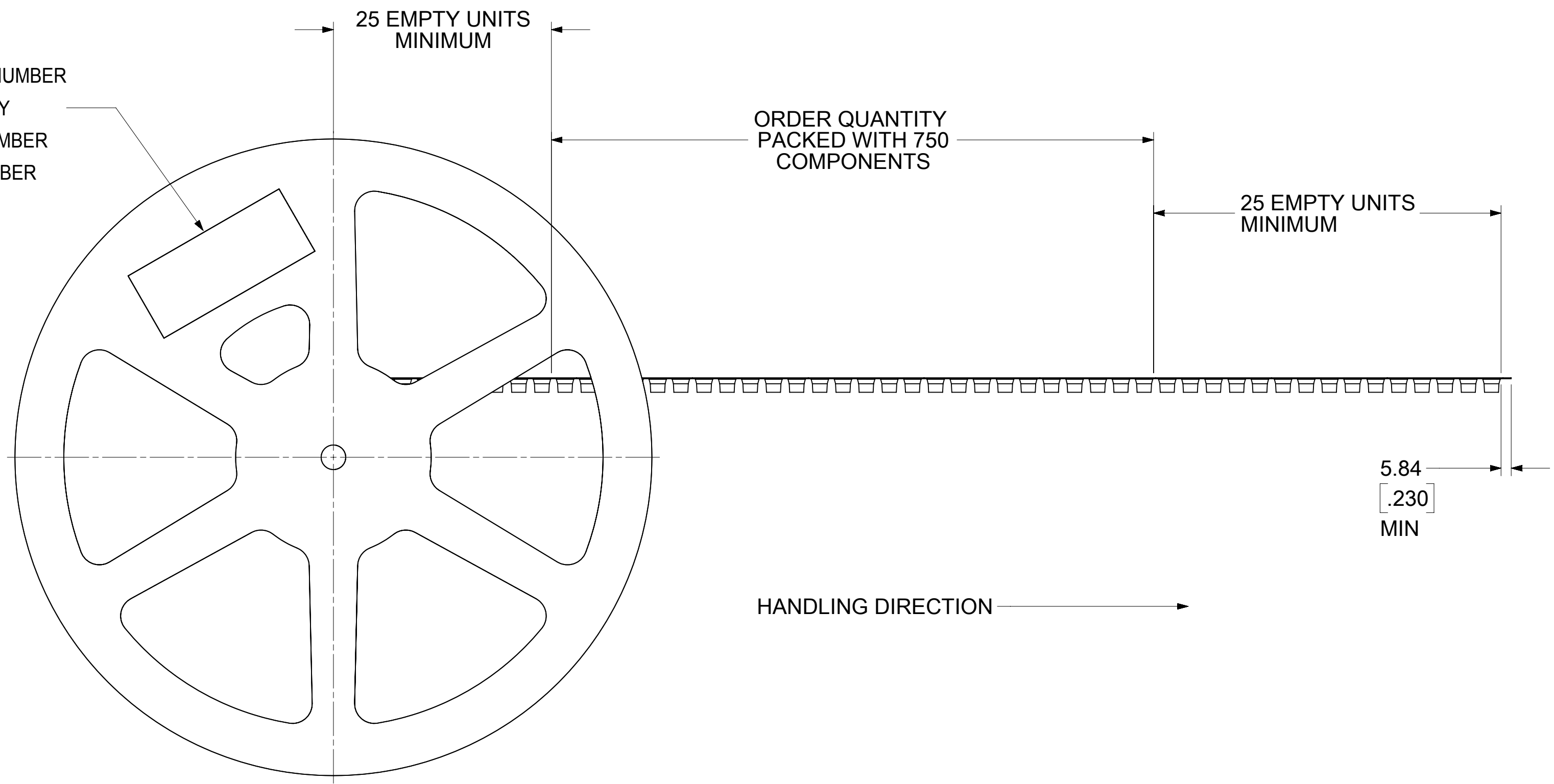


FUNCTIONAL SYMBOLS		THIS DRAWING CONTAINS INFORMATION THAT IS PROPRIETARY TO MOLEX ELECTRONIC TECHNOLOGIES, LLC AND SHOULD NOT BE USED WITHOUT WRITTEN PERMISSION									
DIMENSION UNITS		SCALE		CURRENT REV DESC:							
MM/INCH		NTS		EWR # 15321-E ADDED -5593 PART NO							
GENERAL TOLERANCES (UNLESS SPECIFIED)		EC NO: 718007									
ANGULAR TOL ± 2.0°		4 PLACES ±				DRWN: BSHAH				2022/04/18	
DIVISIONAL SYMBOLS		3 PLACES ±				CHK'D: YCHENG				2022/08/24	
		2 PLACES ± 0.25				APPR: YCHENG				2022/08/24	
		1 PLACE ±				INITIAL REVISION:					
		0 PLACES ±				DRWN: JMASTRIANO				2005/10/10	
		DRAFT WHERE APPLICABLE MUST REMAIN WITHIN DIMENSIONS				THIRD ANGLE PROJECTION		DRAWING		SERIES	
				C-SIZE		73415		MATERIAL NUMBER		CUSTOMER	
								SD-73415-559		GENERAL MARKET	
								DOC TYPE		DOC PART	
								PSD		001	
										A6	
								SHEET NUMBER		2 OF 3	

DOCUMENT STATUS	P1	RELEASE DATE	2022/08/24	02:18:09
-----------------	----	--------------	------------	----------



LABEL:
-ORDER NUMBER
-QUANTITY
-PART NUMBER
-LOT NUMBER



FUNCTIONAL SYMBOLS										THIS DRAWING CONTAINS INFORMATION THAT IS PROPRIETARY TO MOLEX ELECTRONIC TECHNOLOGIES, LLC AND SHOULD NOT BE USED WITHOUT WRITTEN PERMISSION													
DIMENSION UNITS		SCALE		CURRENT REV DESC:																			
MM/INCH		NTS		EWR # 15321-E ADDED -5593 PART NO																			
GENERAL TOLERANCES (UNLESS SPECIFIED)										EC NO: 718007													
ANGULAR TOL ± 2.0°										DRWN: BSHAH 2022/04/18													
4 PLACES ±										CHK'D: YCHENG 2022/08/24													
3 PLACES ±										APPR: YCHENG 2022/08/24													
2 PLACES ± 0.25										INITIAL REVISION:													
1 PLACE ±										DRWN: JMASTRIANO 2005/10/10													
0 PLACES ±										APPR: JWIENER 2005/10/11													
DIVISIONAL SYMBOLS										THIRD ANGLE PROJECTION		DRAWING		SERIES		DOCUMENT NUMBER		DOC TYPE		DOC PART		REVISION	
DRAFT WHERE APPLICABLE MUST REMAIN WITHIN DIMENSIONS												C-SIZE		73415		SD-73415-559		PSD		001 A6			
MATERIAL NUMBER				CUSTOMER				SHEET NUMBER															
				GENERAL MARKET				3 OF 3															