

MATERIALS AND FINISHES:

BODY, CRIMP TUBE: BRASS
PLATED: GOLD (SEE TABLE)

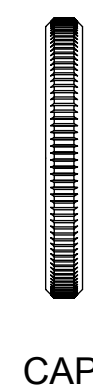
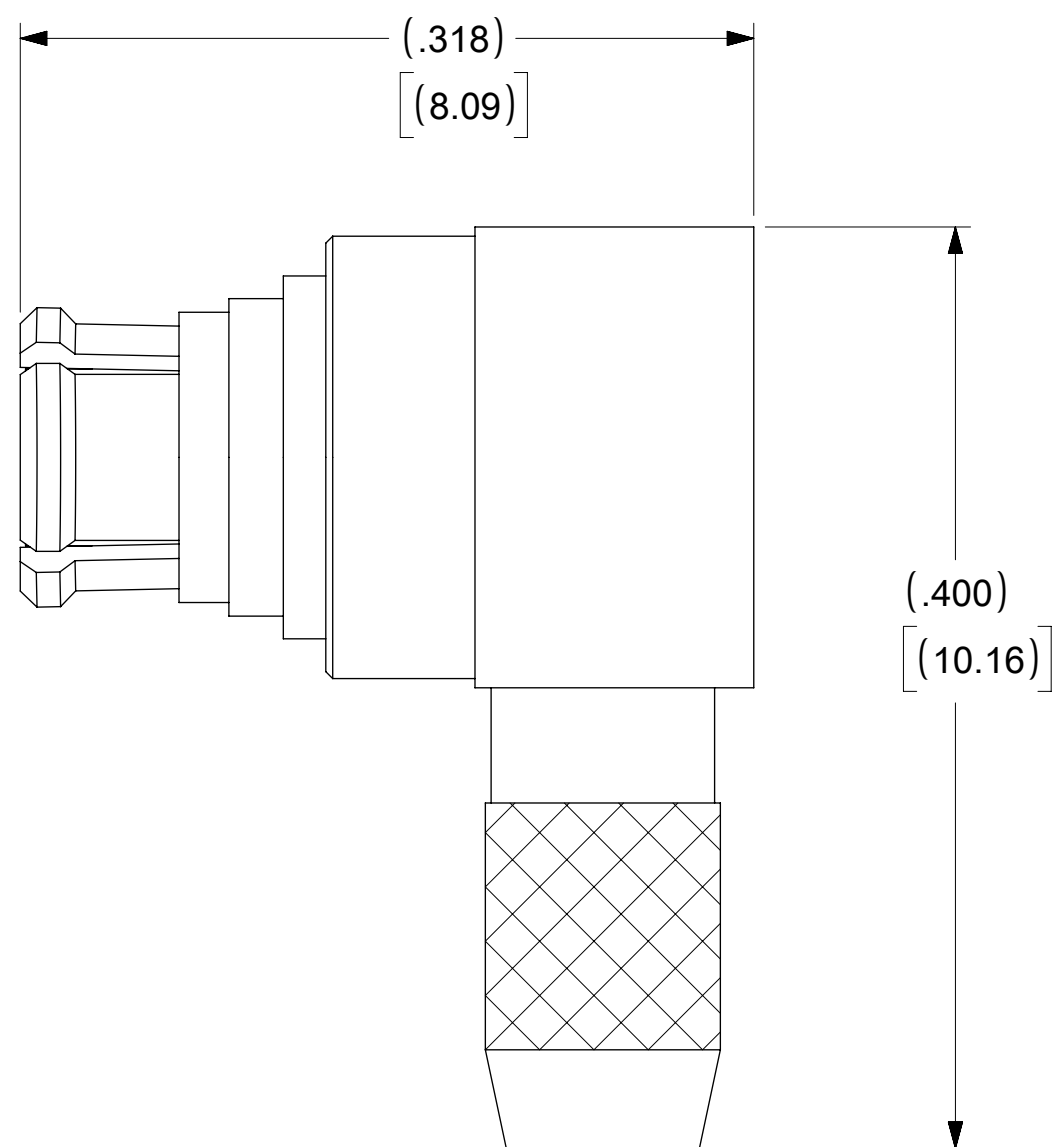
CONTACT, OUTER CONTACT: BERYLLIUM COPPER
PLATED: GOLD (SEE TABLE)

INSULATOR: PTFE

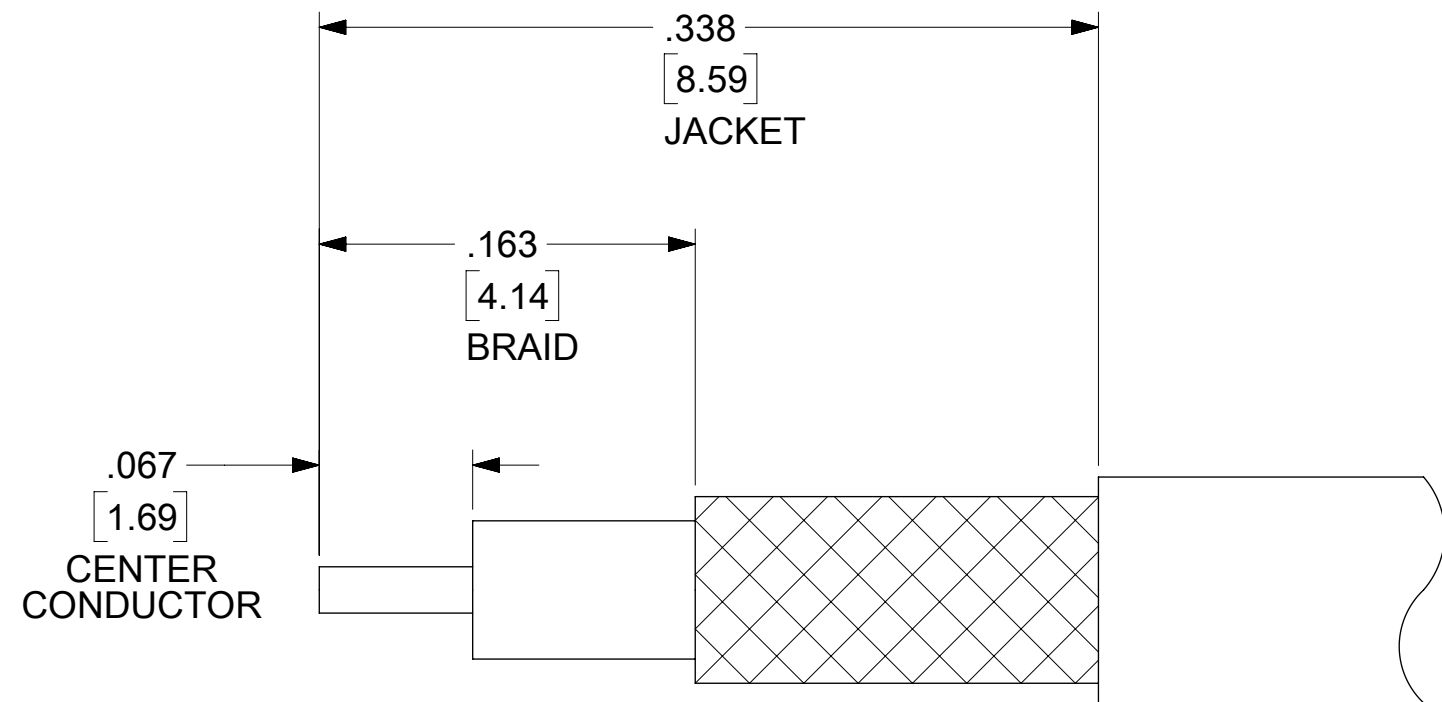
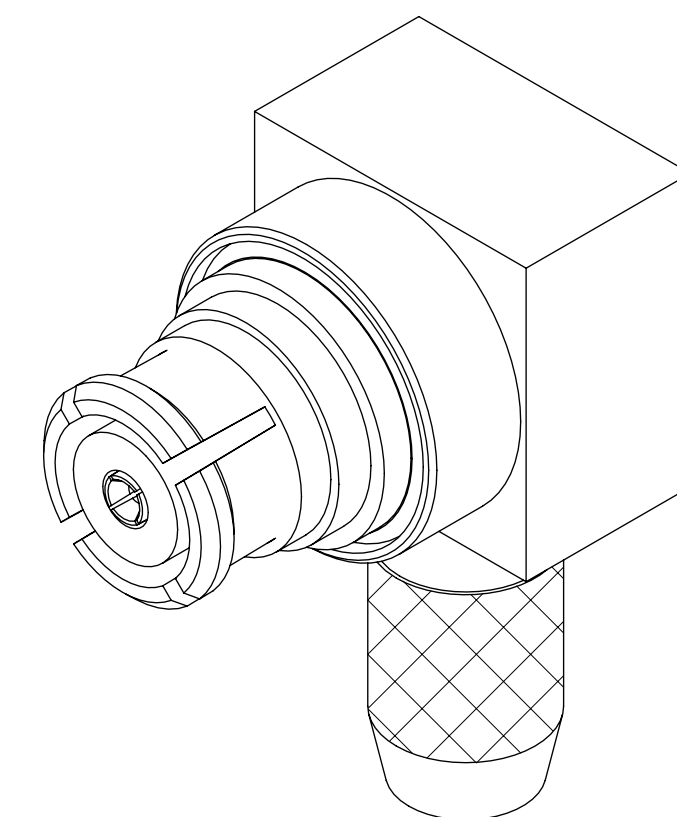
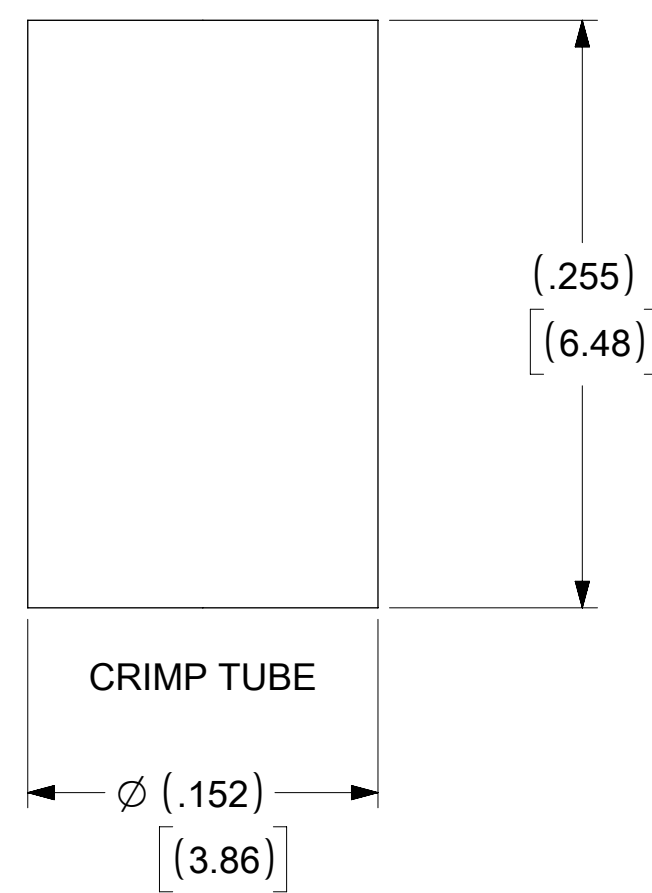
EMI RING, CAP: BRASS
PLATED: GOLD (SEE TABLE)

CRIMP USING .128 HEX DIE

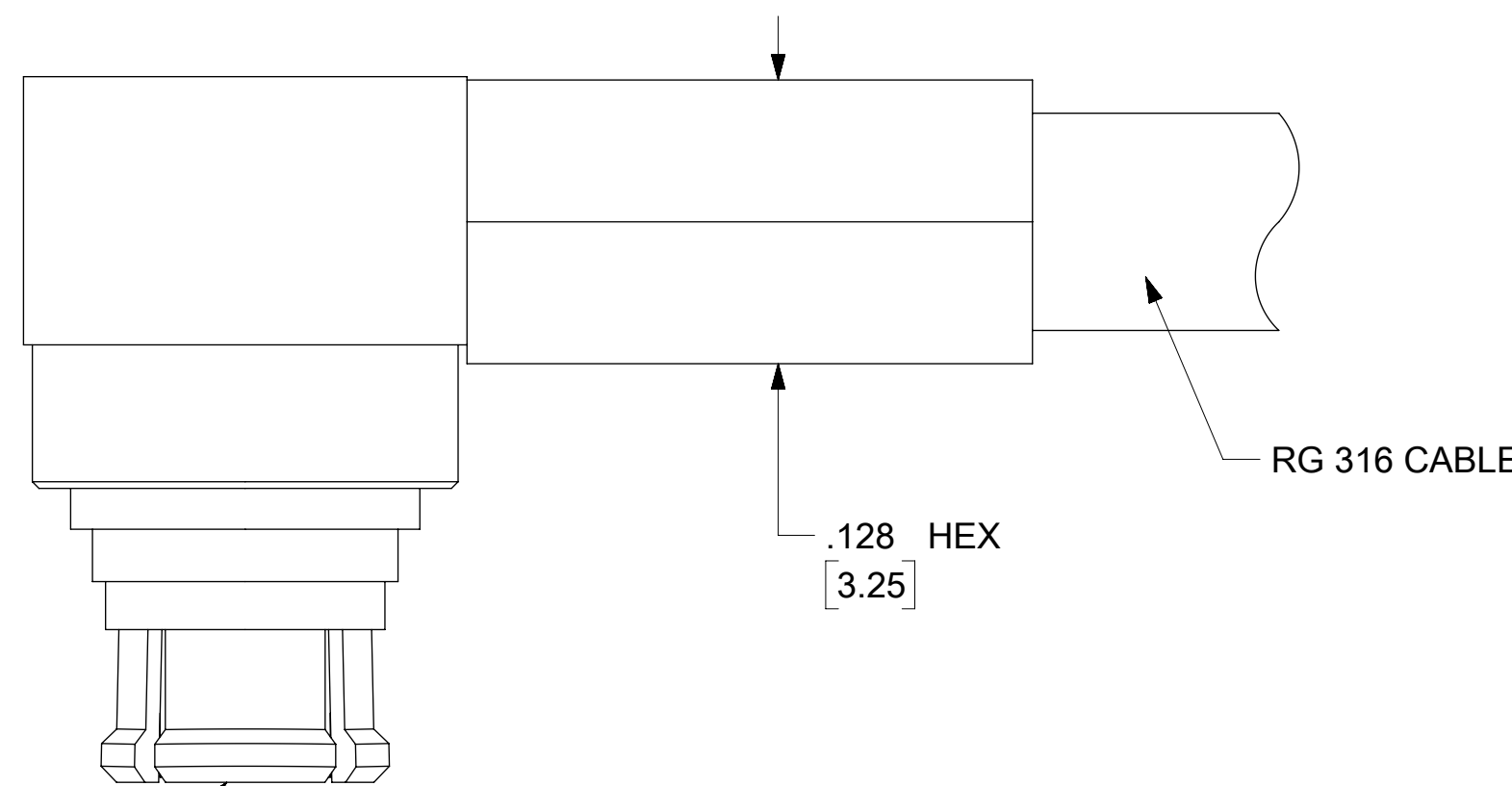
MAX OPERATING FREQUENCY - 26.5GHz



CAP



RECOMMENDED STRIP DIMENSIONS



SMP JACK INTERFACE

LABEL FORMAT FOR 0734155031:
PART NUMBER: 0734155030
ORDER NUMBER: 0734155031
MOLEX
DATE: YYWW

LABEL FORMAT FOR 0734155035:
PART NUMBER: 0734155034
ORDER NUMBER: 0734155035
MOLEX
DATE: YYWW

0734155035	0734155034 ONE BAG	895420470
0734155034	0734155033 W/GOLD FLASH BODY / STANDARD TRAY	895420040
0734155033	GOLD 8μ-in MIN / STANDARD TRAY (80 CAV.)	895420040
0734155032	0734155030 / SMALL TRAY (20 CAV.)	895420060
0734155031	0734155030 X 1 WITH LABEL PER BAG	895420088
0734155030	GOLD 10μ-in MIN / STANDARD TRAY (80 CAV.)	895420040
PART NO.	DESCRIPTION	PACKING SPEC.

MIL-STD-348, FIG. 326.1	INTERFACE			
SPECIFICATION	DESCRIPTION			
DOCUMENT STATUS	P1	RELEASE DATE	2022/08/30	02:55:00

FUNCTIONAL SYMBOLS $F_A = 0$ $F_E = 0$ $F_P = 0$ DIVISIONAL SYMBOLS	THIS DRAWING CONTAINS INFORMATION THAT IS PROPRIETARY TO MOLEX ELECTRONIC TECHNOLOGIES, LLC AND SHOULD NOT BE USED WITHOUT WRITTEN PERMISSION		CURRENT REV DESC: ADD 73415-5035 PER EWR# 15321-C		
	DIMENSION UNITS	SCALE	<p>SMP JACK R/A FOR RG316 CABLE 50? SMP-JC/RA, EWR-2492</p> <p>PRODUCT CUSTOMER DRAWING</p> <p>DOCUMENT NUMBER: 734155030 DOC TYPE: PSD DOC PART: 000 REVISION: B8</p> <p>MATERIAL NUMBER: SEE TABLE CUSTOMER: SHEET NUMBER: 1 OF 1</p>		
	IN/MM	NTS			
	GENERAL TOLERANCES (UNLESS SPECIFIED)				
		MM INCH			
4 PLACES ±	±				
3 PLACES ±	±	EC NO: 718723	2022/08/23		
2 PLACES ±	±	DRWN: ELIN	2022/08/30		
1 PLACE ±	±	CHK'D: YCHENG	2022/08/30		
0 PLACES ±	±	APPR: YCHENG	2022/08/30		
ANGULAR TOL ± °		INITIAL REVISION:	2004/06/10		
DRAFT WHERE APPLICABLE MUST REMAIN WITHIN DIMENSIONS		DRWN: TEF			
THIRD ANGLE PROJECTION		APPR: GMH			
		DRAWING	SERIES		
		C-SIZE	73415		