

MATERIALS AND FINISHES

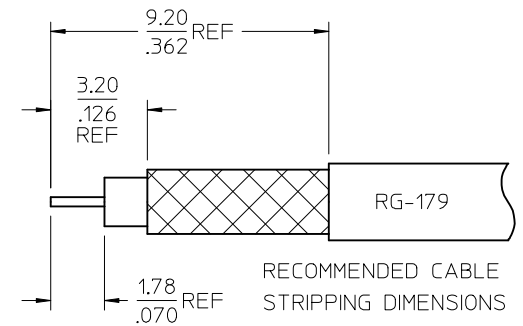
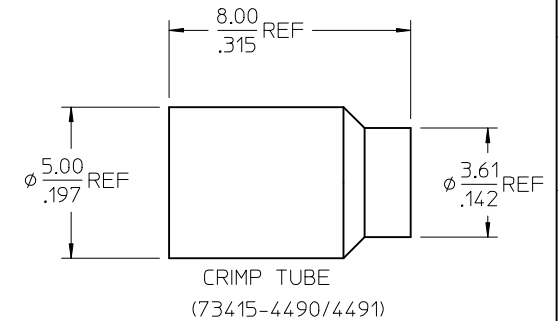
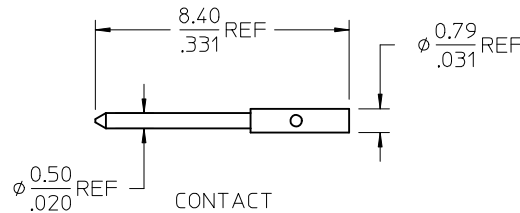
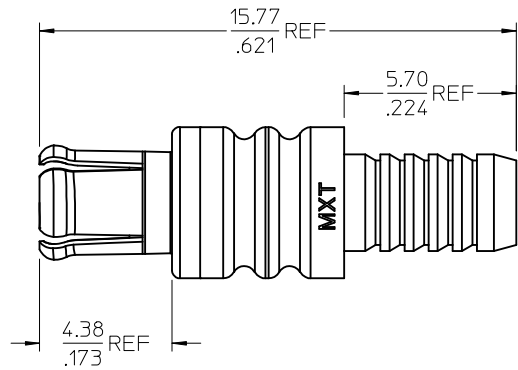
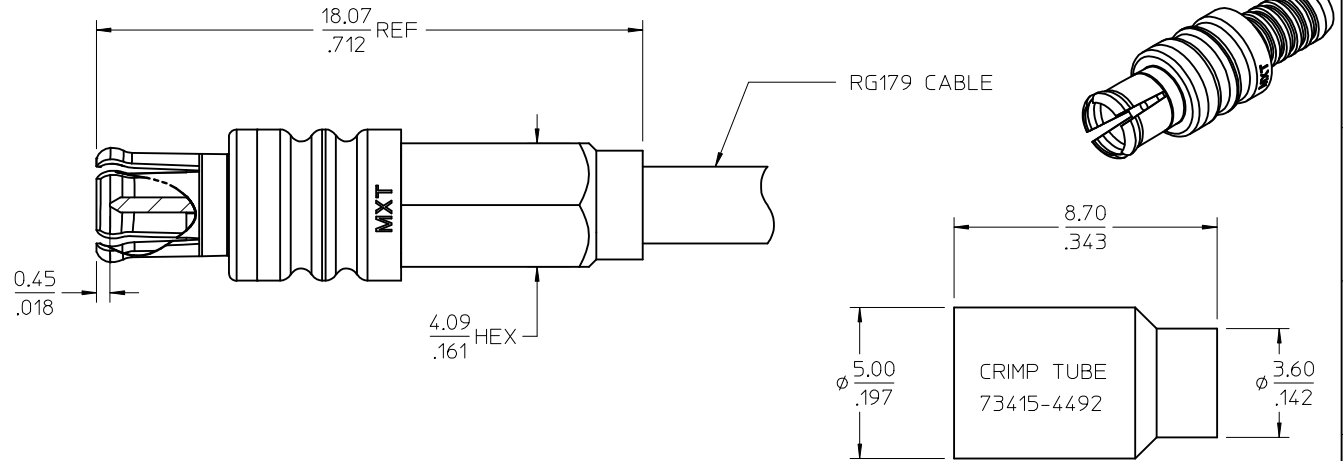
BODY: ZINC ALLOY  
PLATED (SEE TABLE)  
THICKNESS (SEE TABLE)

CENTER CONTACT: BRASS  
PLATED GOLD (THICKNESS SEE TABLE)

INSULATOR: TEFLON

OUTER CONTACT (OC): BERYLLIUM COPPER  
PLATED GOLD (THICKNESS SEE TABLE)

CRIMP TUBE: BRASS  
PLATED (SEE TABLE)  
THICKNESS (SEE TABLE)



73415-4492	BAG	70 μ" MIN NICKEL	30 μ" MIN	30 μ" MIN	70 μ" MIN NICKEL
73415-4491	ONE PER BAG	GOLD FLASH	10 μ" MIN	5 μ" MIN	10 μ" MIN GOLD
73415-4490	BAG	GOLD FLASH	10 μ" MIN	5 μ" MIN	10 μ" MIN GOLD
PART NO.	PACKAGING	BODY FINISH	CONTACT FINISH	OC FINISH	CRIMP TUBE FIN

CHG: BAG WAS BULK PER RF17-E062 EC NO: URF2017-0344 DRW: IN LIN 2017/03/27 CHKD: APPR: YCHENG 2017/03/29 REV: A5	QUALITY SYMBOLS ▽=0 ▽=0	GENERAL TOLERANCES (UNLESS SPECIFIED) 4 PLACES ± --- ± --- 3 PLACES ± --- ± --- 2 PLACES ± --- ± --- 1 PLACE ± --- ± --- ANGULAR ± 2°	DIMENSION STYLE MM/IN	SCALE DESIGN UNITS METRIC	THIRD ANGLE PROJECTION	
	DRAWN BY TEF 2003/08/11	CHECKED BY SSS 2003/08/11	APPROVED BY GMH 2003/08/11	MATERIAL NO. SEE TABLE	DOCUMENT NO. SD-73415-449	SHEET NO. 1 OF 1
	TITLE MCX PLUG STR FOR RG179 75 OHMS MCX-PC EWR-2114					
	MOLEX MOLEX INCORPORATED					

DRAFT WHERE APPLICABLE MUST REMAIN WITHIN DIMENSIONS

THIS DRAWING CONTAINS INFORMATION THAT IS PROPRIETARY TO MOLEX INCORPORATED AND SHOULD NOT BE USED WITHOUT WRITTEN PERMISSION

MATERIALS AND FINISHES

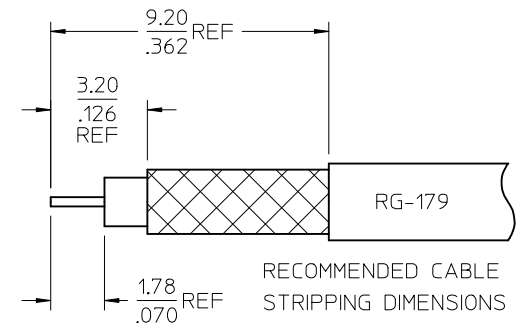
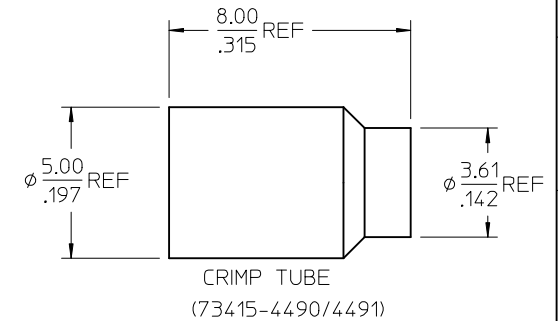
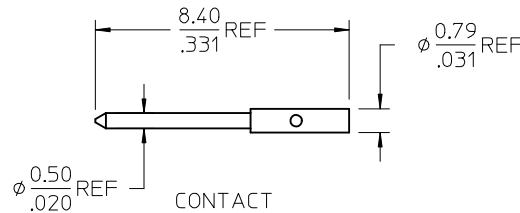
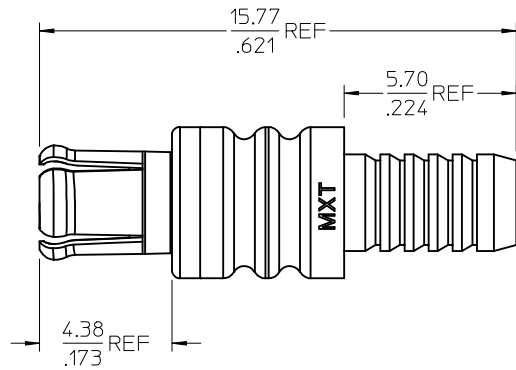
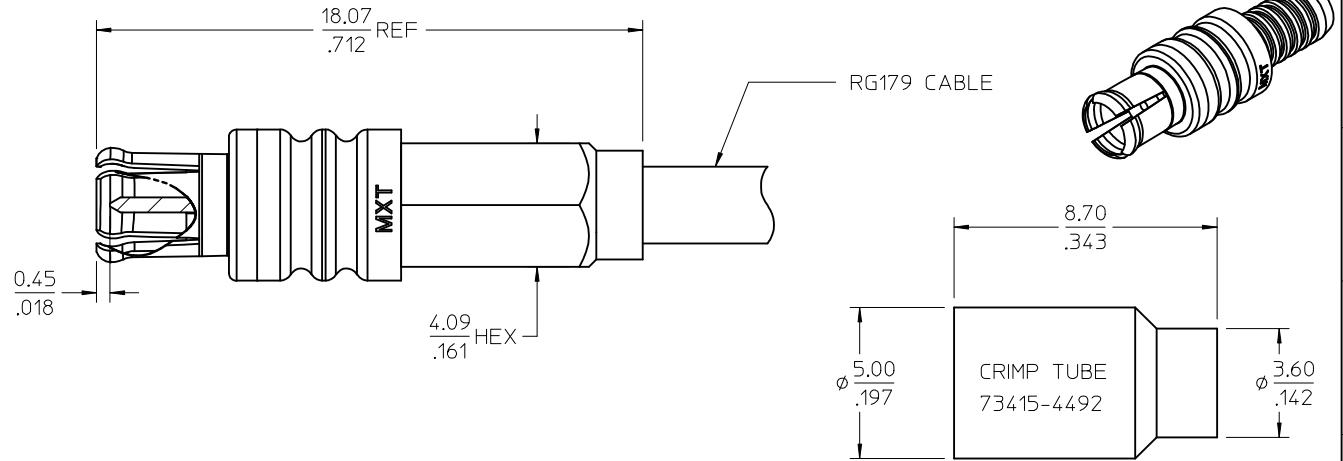
BODY: ZINC ALLOY  
PLATED (SEE TABLE)  
THICKNESS (SEE TABLE)

CENTER CONTACT: BRASS  
PLATED GOLD (THICKNESS SEE TABLE)

INSULATOR: TEFLON

OUTER CONTACT (OC): BERYLLIUM COPPER  
PLATED GOLD (THICKNESS SEE TABLE)

CRIMP TUBE: BRASS  
PLATED (SEE TABLE)  
THICKNESS (SEE TABLE)



73415-4492	BAG	70 μ" MIN NICKEL	30 μ" MIN	30 μ" MIN	70 μ" MIN NICKEL
73415-4491	ONE PER BAG	GOLD FLASH	10 μ" MIN	5 μ" MIN	10 μ" MIN GOLD
73415-4490	BAG	GOLD FLASH	10 μ" MIN	5 μ" MIN	10 μ" MIN GOLD
PART NO.	PACKAGING	BODY FINISH	CONTACT FINISH	OC FINISH	CRIMP TUBE FIN

CHG: BAG WAS BULK PER RF17-E062 EC NO: URF2017-0344 DRW: INELIN 2017/03/27 CHKD: APPR: YCHENG 2017/03/29 REV: A5	QUALITY SYMBOLS ▽=0 ▽=0	GENERAL TOLERANCES (UNLESS SPECIFIED) 4 PLACES ± --- ± --- 3 PLACES ± --- ± --- 2 PLACES ± --- ± --- 1 PLACE ± --- ± --- ANGULAR ± 2°	DIMENSION STYLE MM/IN	SCALE DESIGN UNITS METRIC	THIRD ANGLE PROJECTION	DRAWN BY TEF 2003/08/11	TITLE MCX PLUG STR FOR RG179 75 OHMS MCX-PC EWR-2114
						CHECKED BY SSS 2003/08/11	
DRAFT WHERE APPLICABLE MUST REMAIN WITHIN DIMENSIONS			MATERIAL NO. SEE TABLE	DOCUMENT NO. SD-73415-449	SHEET NO. 1 OF 1	MOLEX INCORPORATED	
THIS DRAWING CONTAINS INFORMATION THAT IS PROPRIETARY TO MOLEX INCORPORATED AND SHOULD NOT BE USED WITHOUT WRITTEN PERMISSION							