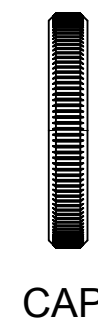
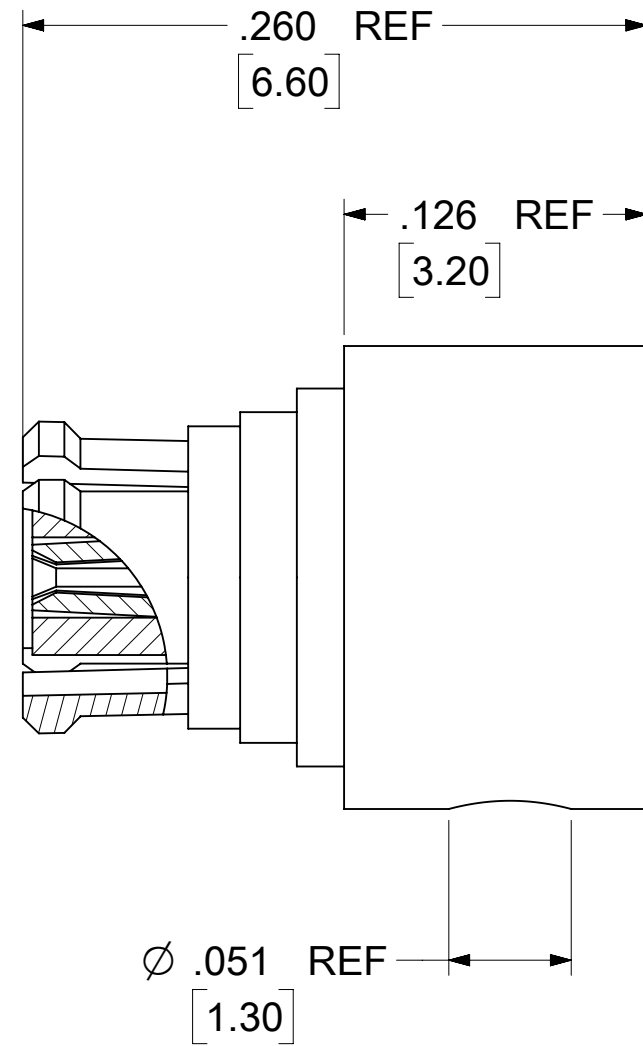
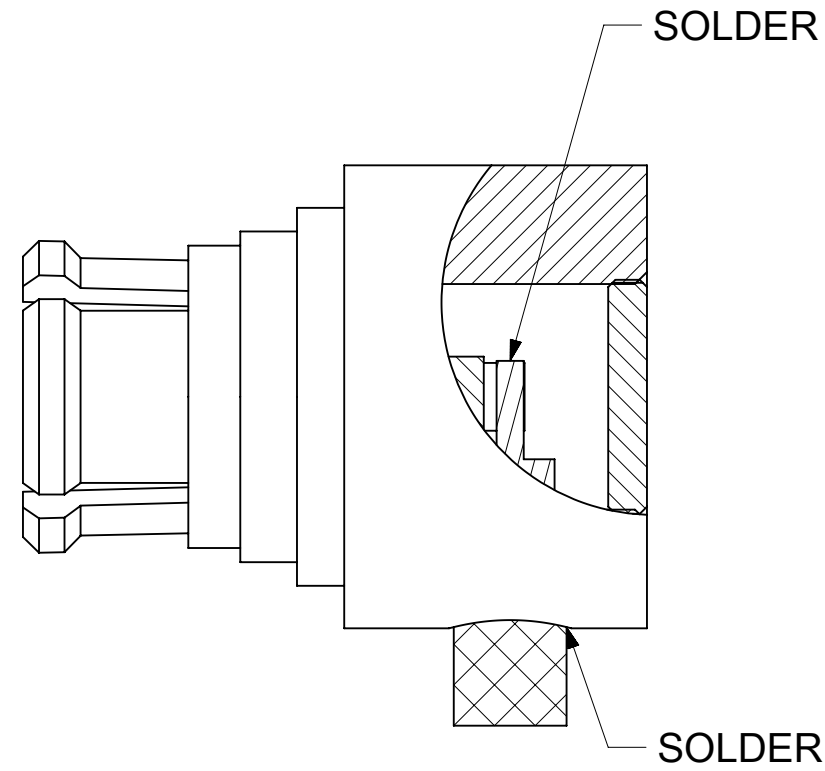
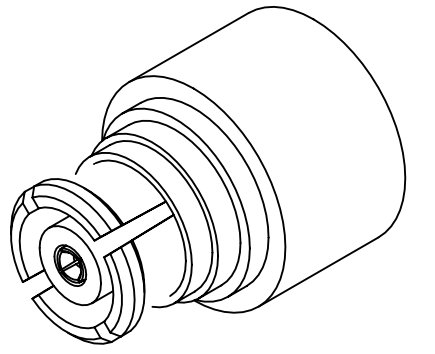


MATERIALS AND FINISHES:

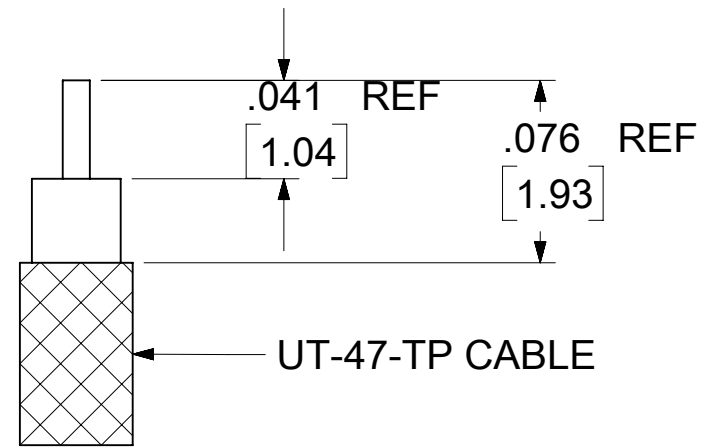
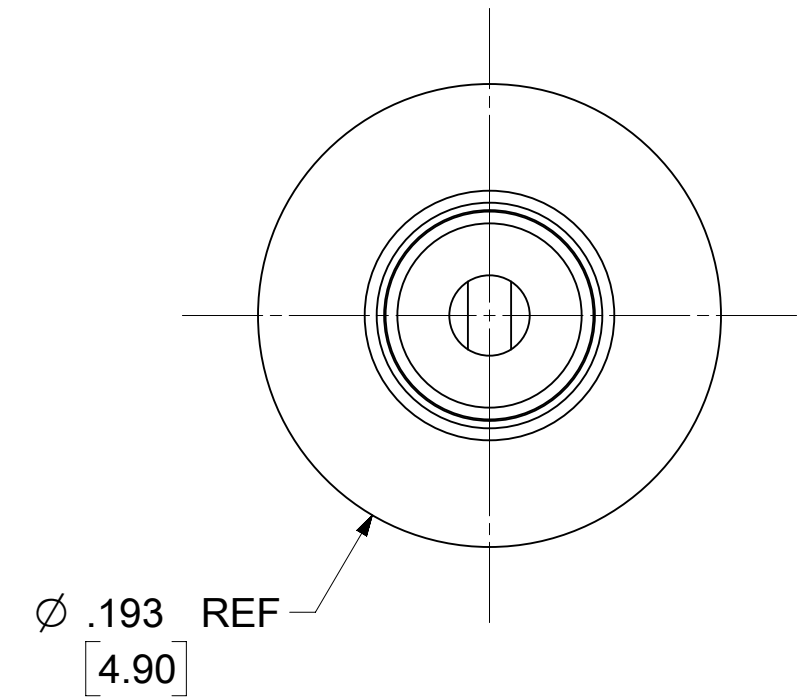
BODY, CENTER CONTACT: BERYLLIUM COPPER
PLATED GOLD

INSULATOR: PTFE

CLIP, CAP: BRASS
PLATED GOLD



CAP



CABLE PREP DIMENSION

LABEL FORMAT FOR
73415-3721

PART NUMBER: 73415-3720
ORDER NUMBER: 73415-3721
MOLEX
DATE: YYWW

73415-3721	73415-3720 ONE PER BAG	895420470
73415-3720	73415-3720 TRAY	895420040
PART NO.	DESCRIPTION	PACKING SPEC

MIL-STD-348A, FIG. 326.1	INTERFACE
SPECIFICATION	DESCRIPTION

THIS DRAWING CONTAINS INFORMATION THAT IS PROPRIETARY TO MOLEX ELECTRONIC TECHNOLOGIES, LLC AND SHOULD NOT BE USED WITHOUT WRITTEN PERMISSION

DIMENSION UNITS INCH/MM	SCALE NTS	CURRENT REV DESC: ADD 73415-3721 PER EWR #15321-B	molex		
GENERAL TOLERANCES (UNLESS SPECIFIED)		EC NO: 719075			
ANGULAR TOL ± 2.0°	4 PLACES ±	DRWN: RYEH	2022/08/12		
	3 PLACES ±	CHK'D: YCHENG	2022/08/29		
	2 PLACES ±	APPR: YCHENG	2022/08/29		
	1 PLACE ±	INITIAL REVISION:	PRODUCT CUSTOMER DRAWING		
	0 PLACES ±	DRWN: RFC_PLMIMP	2017/12/28		
		APPR: JWIENER	2009/08/12		
DRAFT WHERE APPLICABLE MUST REMAIN WITHIN DIMENSIONS	THIRD ANGLE PROJECTION	DRAWING C-SIZE	SERIES 73415	MATERIAL NUMBER SEE TABLE	CUSTOMER GENERAL MARKET
				DOCUMENT NUMBER SD-73415-372	DOC TYPE PSD
				DOC PART 001	REVISION A2
				SHEET NUMBER 1 OF 1	

DOCUMENT STATUS	P1	RELEASE DATE	2022/08/29	06:23:01
-----------------	----	--------------	------------	----------