

MATERIALS AND FINISHES

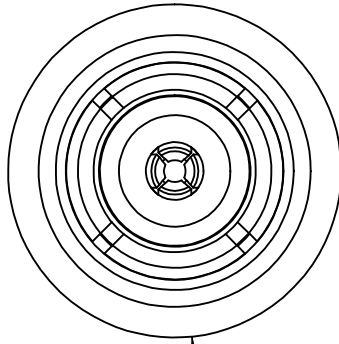
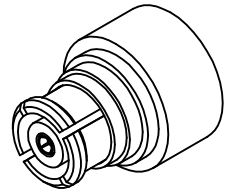
BODY: BERYLLIUM COPPER
PLATED: GOLD

CENTER CONTACT: BERYLLIUM COPPER
PLATED: GOLD

INSULATOR: TEFLON

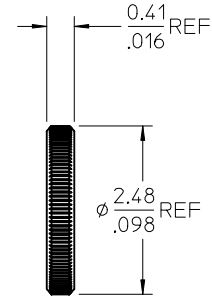
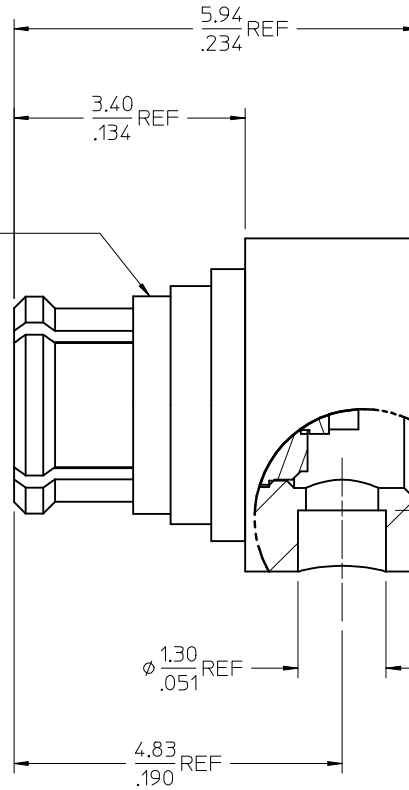
EMI/ANTI-ROCK RING: BRASS
PLATED: GOLD

CAP: BRASS
PLATED: GOLD

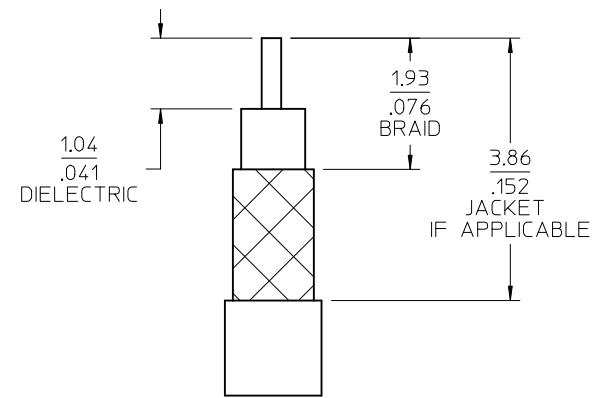


ϕ 4.90
.193 REF

EMI/ANTI-ROCK RING



CAP



SUGGESTED CABLE STRIP
047 CABLE

LABEL FORMAT FOR
73415-3583

PART NUMBER: 73415-3580
ORDER NUMBER: 73415-3583
MOLEX
DATE: YYWW

73415-3584	30 μ "	MOLEX INTERNAL USE ONLY. NOT AVAILABLE
73415-3583	30 μ "	73415-3580 ONE PIECE PER BAG
73415-3582	8 μ "	TRAY
73415-3581	30 μ "	PLACE 73415-3580 INTO SMALL TRAY
73415-3580	30 μ "	TRAY
PART NO.	GOLD THICKNESS	PACKAGING

MIL-STD-348A, FIG. 326-1	INTERFACE
SPECIFICATION	DESCRIPTION

CHG: UPDATED -3584
PACKAGING DESCRIP.

EC NO: URF2013-0103
2012/08/29
DRWN:JLEE02
2012/08/29
CHKD:SSS
2012/08/29
APPR:JWIENER
2012/08/29

QUALITY SYMBOLS
 $\nabla=0$
 $\nabla=0$
 DESCRIPTION
 REV

GENERAL TOLERANCES (UNLESS SPECIFIED)

	mm	INCH
4 PLACES	\pm .005	\pm .0002
3 PLACES	\pm .005	\pm .0002
2 PLACES	\pm .005	\pm .0002
1 PLACE	\pm .005	\pm .0002

ANGULAR \pm 2°

DRAFT WHERE APPLICABLE
MUST REMAIN
WITHIN DIMENSIONS

DIMENSION STYLE
MM/IN

DRAWN BY DATE
SSS 2001/07/18

CHECKED BY DATE
TEF 2001/07/18

APPROVED BY DATE
GMH 2001/07/18

MATERIAL NO.
SEE TABLE

SIZE
C

SCALE
DESIGN UNITS
METRIC

THIRD ANGLE PROJECTION

TITLE
SMP JACK, R/A FOR SR047
SMP-JC/RA
EWR-1425

MOLEX MOLEX INCORPORATED

DOCUMENT NO.
SD-73415-358

SHEET NO.
1 OF 1