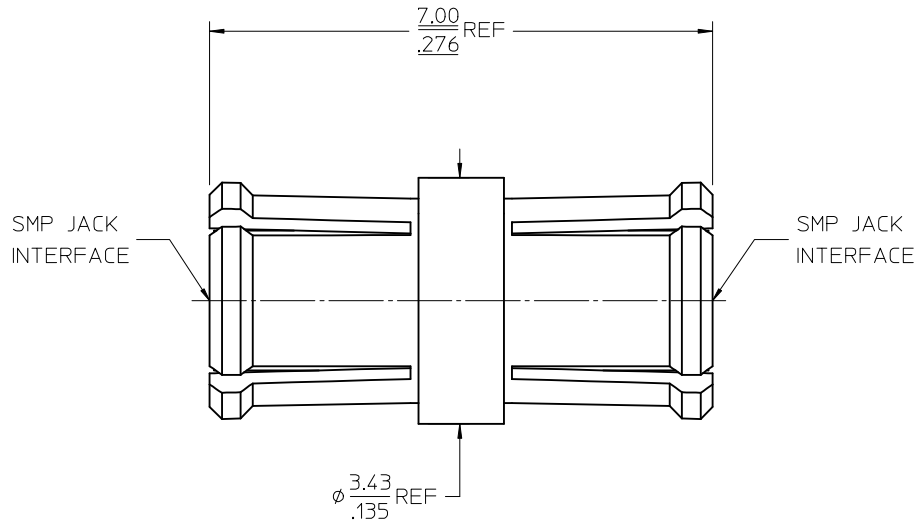
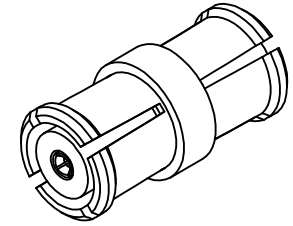


MATERIALS AND FINISHES

BODY BERYLLIUM COPPER
PLATED GOLD

CENTER CONTACT BERYLLIUM COPPER
PLATED GOLD

INSULATOR TEFLON



73415-3022	73415-3020 20 PCS PER SMALL TRAY (89707-0308)
73415-3021	73415-3020 ONE PER BAG
73415-3020	250 PCS PER BAG
PART NO.	DESCRIPTION

MIL-STD-348A, FIG. 326.1	INTERFACE
SPECIFICATION	DESCRIPTION

CHG: ADDED PACKAGING PER RF15-E356	EC NO: URF2016-0301	DRWNRYEH	2015/10/16
CHKD:	APPR: YCHENG	DESCRIPTION	2015/10/20
REV: A2			

QUALITY SYMBOLS	GENERAL TOLERANCES (UNLESS SPECIFIED)
▽=0	mm INCH
▽=0	4 PLACES ± --- ± ---
▽=0	3 PLACES ± --- ± ---
	2 PLACES ± --- ± ---
	1 PLACE ± --- ± ---
	0 PLACE ± ±
	ANGULAR ± 2 °
	DRAFT WHERE APPLICABLE MUST REMAIN WITHIN DIMENSIONS

DIMENSION STYLE		SCALE	DESIGN UNITS	THIRD ANGLE PROJECTION
MM/IN		19:1	METRIC	☉ □
DRAWN BY	DATE	TITLE		
SSS	03/01/28	SMP JACK ADAPTER		
CHECKED BY	DATE	SMP-J/J/ADP		
TEF	03/01/28			
APPROVED BY	DATE			
GMH	03/01/28			
MATERIAL NO.	DOCUMENT NO.	SHEET NO.		
SEE TABLE	SD-73415-302	1 OF 1		
SIZE C	THIS DRAWING CONTAINS INFORMATION THAT IS PROPRIETARY TO MOLEX INCORPORATED AND SHOULD NOT BE USED WITHOUT WRITTEN PERMISSION			

TITLE		SCALE	DESIGN UNITS	THIRD ANGLE PROJECTION
SMP JACK ADAPTER		19:1	METRIC	☉ □
SMP-J/J/ADP				
molex				
SD-73415-302		SHEET NO.		
		1 OF 1		
THIS DRAWING CONTAINS INFORMATION THAT IS PROPRIETARY TO MOLEX INCORPORATED AND SHOULD NOT BE USED WITHOUT WRITTEN PERMISSION				