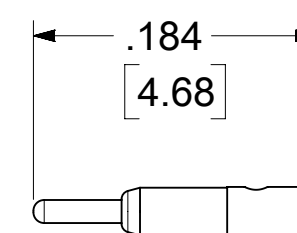
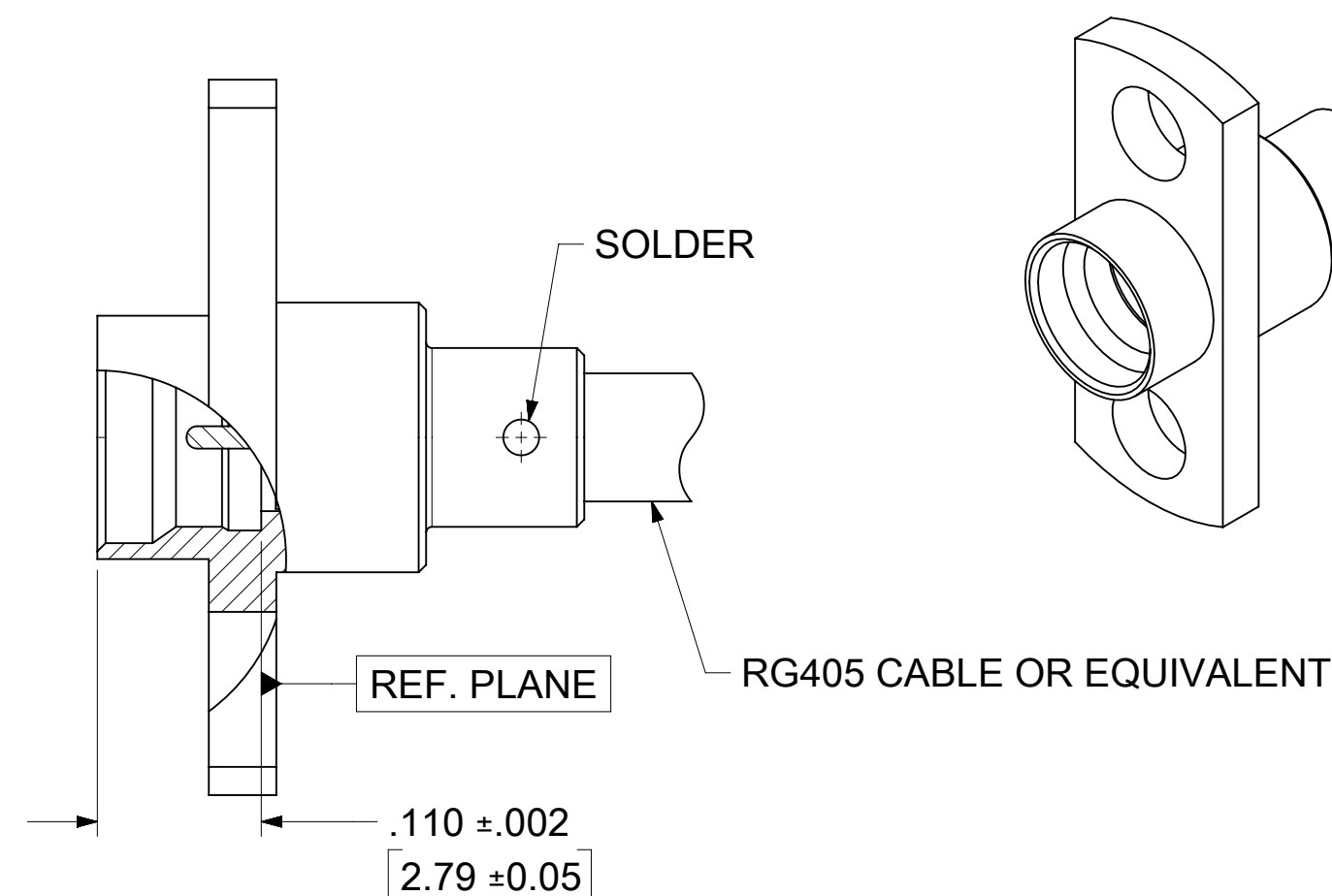
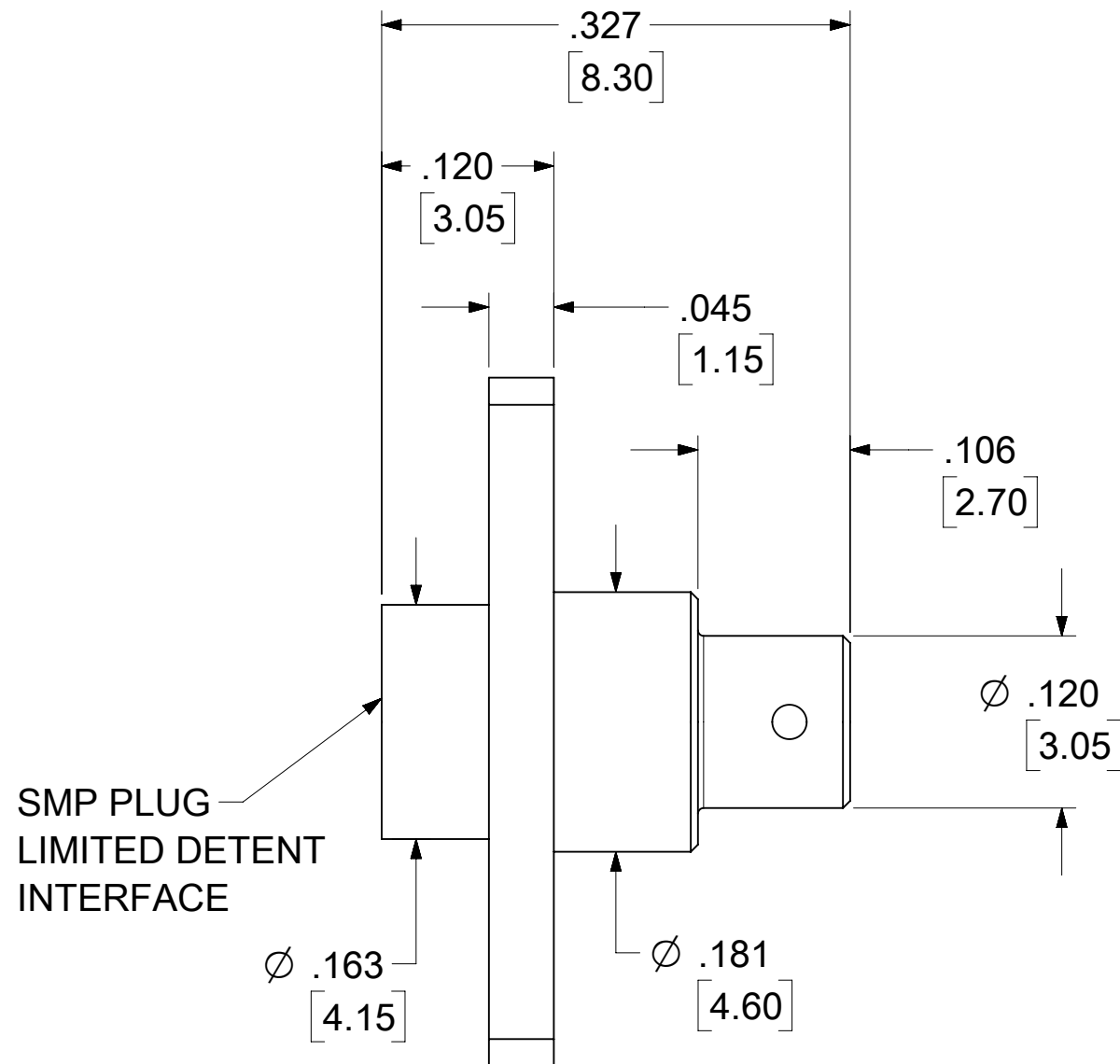
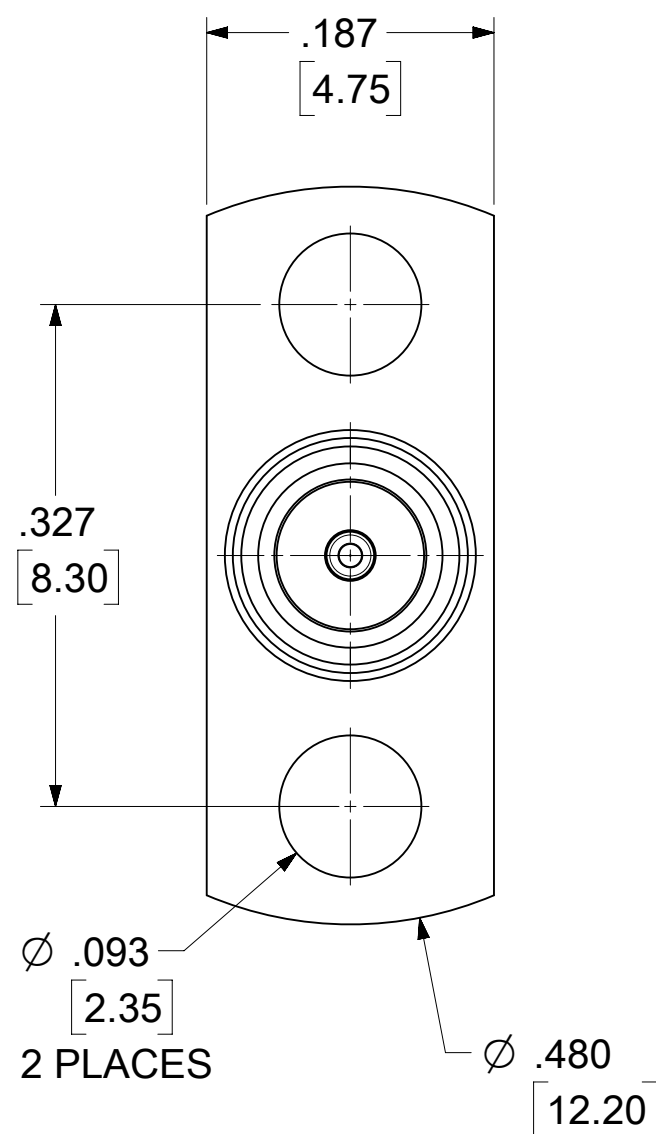


MATERIALS AND FINISHES:

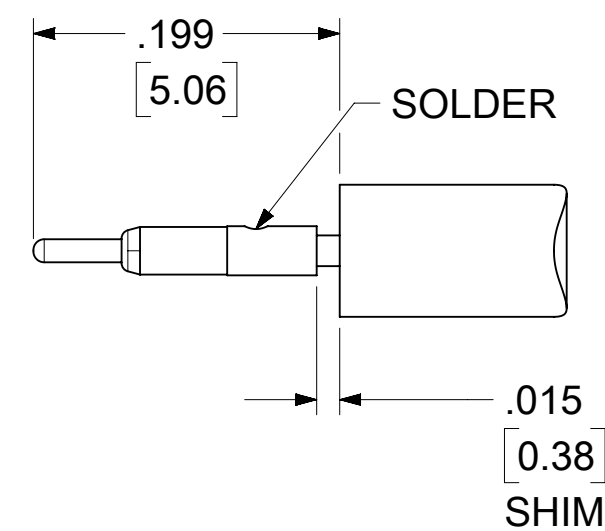
BODY: SEE TABLE
PLATED GOLD

CENTER CONTACT: BRASS
PLATED GOLD

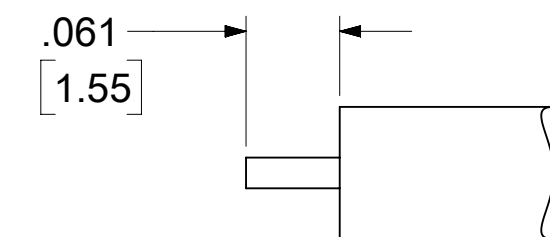
INSULATOR: TEFLON



CONTACT



SHIM



RECOMMENDED STRIP DIMENSIONS

| | | | |
|------------|-----------------|-------------|--------------|
| 73406-6213 | BRASS | ONE PER BAG | 895420470 |
| 73406-6212 | STAINLESS STEEL | ONE PER BAG | 895420470 |
| 73406-6211 | BRASS | TRAY | 895420063 |
| 73406-6210 | STAINLESS STEEL | TRAY | 895420063 |
| PART NO. | BODY MATERIAL | PACKAGING | PACKING SPEC |

LABEL WITH EACH BAG
FOR 73406-6212 & -6213

MOLEX P/N: 73406-6212
DATE: YYWW

MOLEX P/N: 73406-6213
DATE: YYWW

| | |
|--------------------------|-------------|
| MIL-STD-348A, FIG. 326.3 | INTERFACE |
| SPECIFICATION | DESCRIPTION |

| | | | | |
|--|---|--|---|--------------------------|
| FUNCTIONAL SYMBOLS | THIS DRAWING CONTAINS INFORMATION THAT IS PROPRIETARY TO MOLEX ELECTRONIC TECHNOLOGIES, LLC AND SHOULD NOT BE USED WITHOUT WRITTEN PERMISSION | | | |
| | $\frac{F}{A} = 0$ $\frac{E}{C} = 0$ $\frac{E}{P} = 0$ | DIMENSION UNITS: IN/MM SCALE: NTS | | |
| DIVISIONAL SYMBOLS | GENERAL TOLERANCES (UNLESS SPECIFIED) | | SMP PLUG LD RG405 2 HOLE FLANGE 50 OHMS SMP-PC, EWR-4244 | |
| | ANGULAR TOL ± 2.0° | | PRODUCT CUSTOMER DRAWING | |
| 4 PLACES ± | | INITIAL REVISION: | | |
| 3 PLACES ± | | DRWN: JYL 2009/11/06 | | |
| 2 PLACES ± | | APPR: JWIENER 2010/02/18 | | |
| 1 PLACE ± | | DOCUMENT NUMBER: SD-73406-621 | | |
| 0 PLACES ± | | DOC TYPE: PSD DOC PART: 001 REVISION: A2 | | |
| DRAFT WHERE APPLICABLE MUST REMAIN WITHIN DIMENSIONS | | THIRD ANGLE PROJECTION | DRAWING: C-SIZE | SERIES: 73406 |
| DOCUMENT STATUS: P1 | | RELEASE DATE: 2022/08/23 12:44:03 | MATERIAL NUMBER: SEE TABLE | CUSTOMER: GENERAL MARKET |
| 12 | | 11 | SHEET NUMBER: 1 OF 1 | |