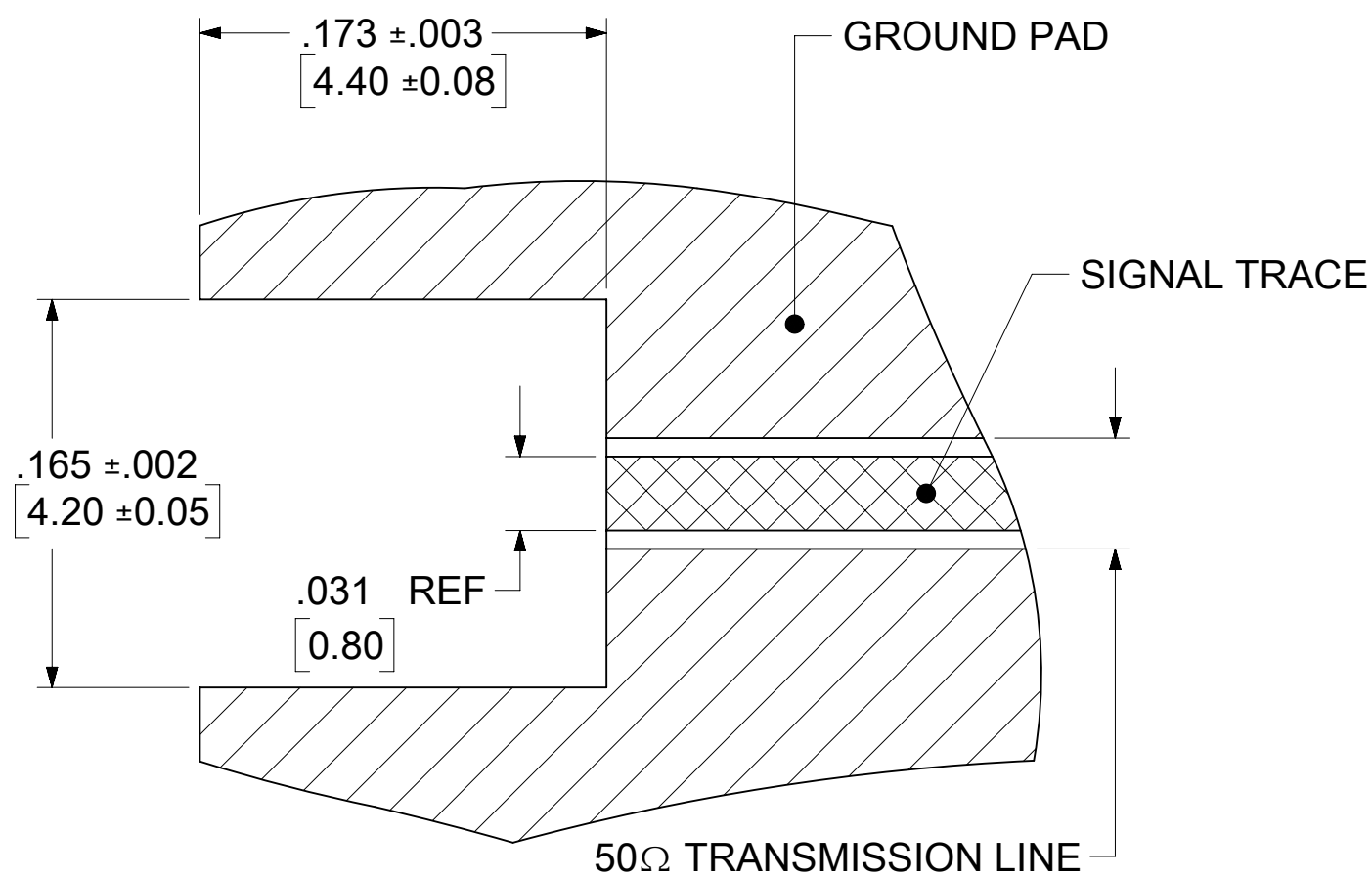
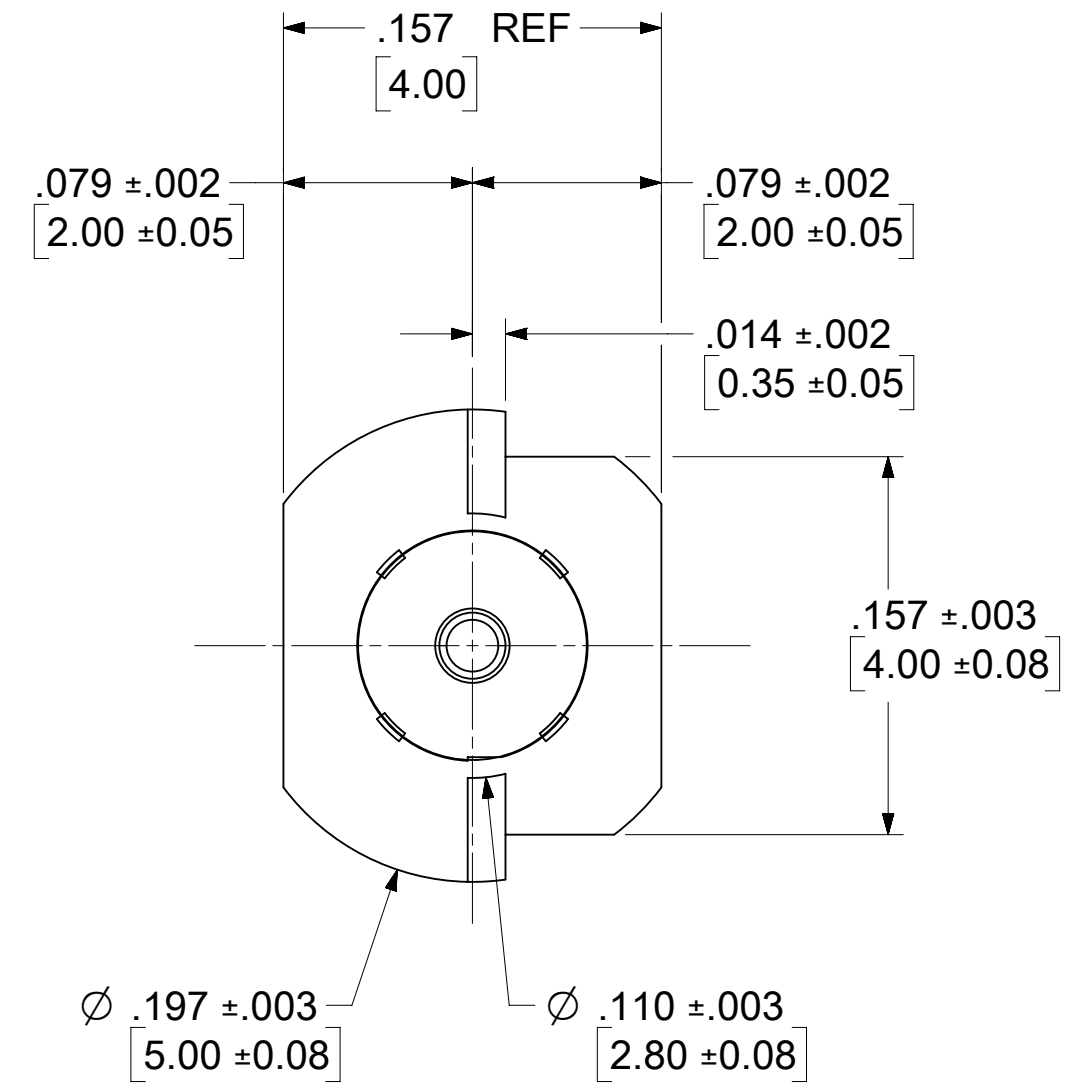
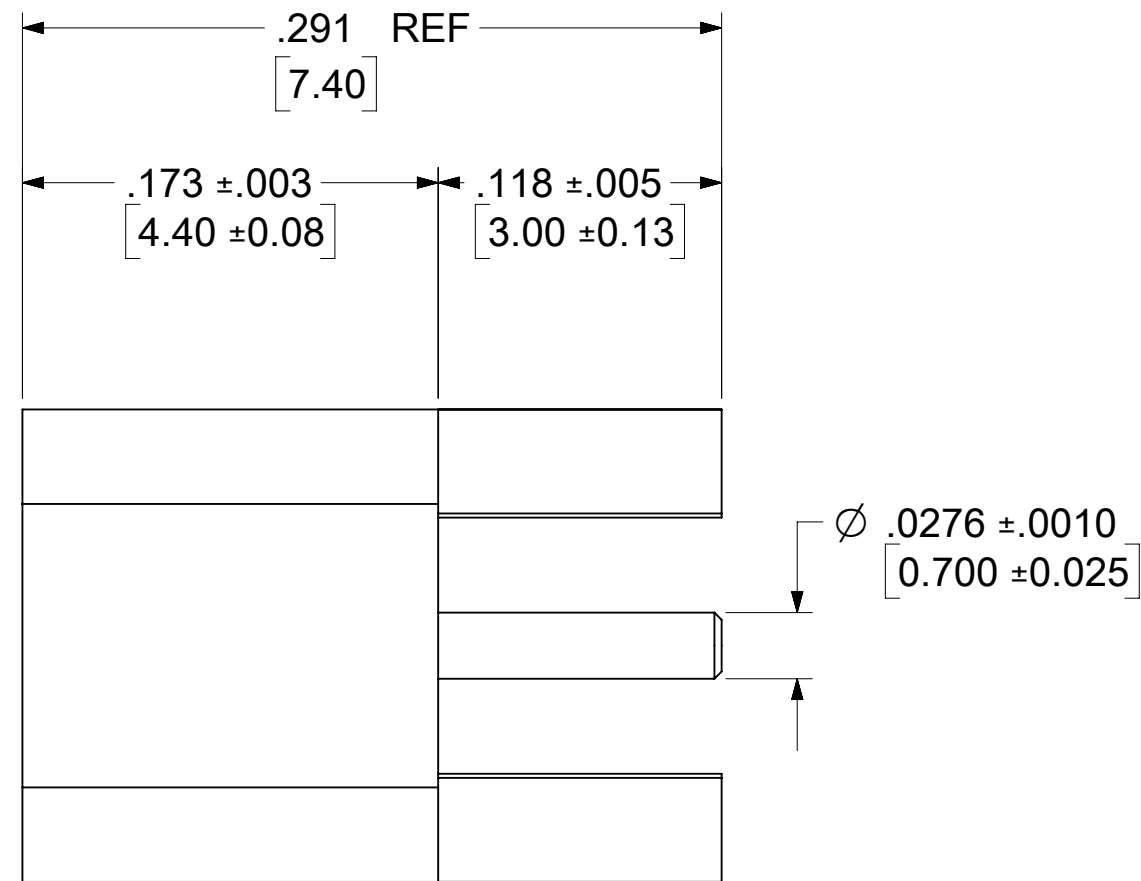
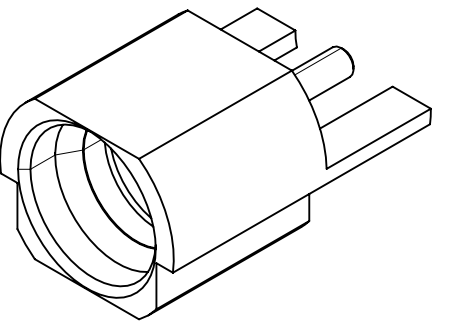


MATERIALS AND FINISHES:

BODY, CENTER CONTACT: BRASS
PLATED GOLD (30µ-in MIN)

INSULATOR: PTFE



RECOMMENDED PCB LAYOUT
NOTE: ADJUST .031 [0.80] AS NEEDED
TO MAINTAIN 50Ω LINE

LABEL FORMAT FOR
73406-6182

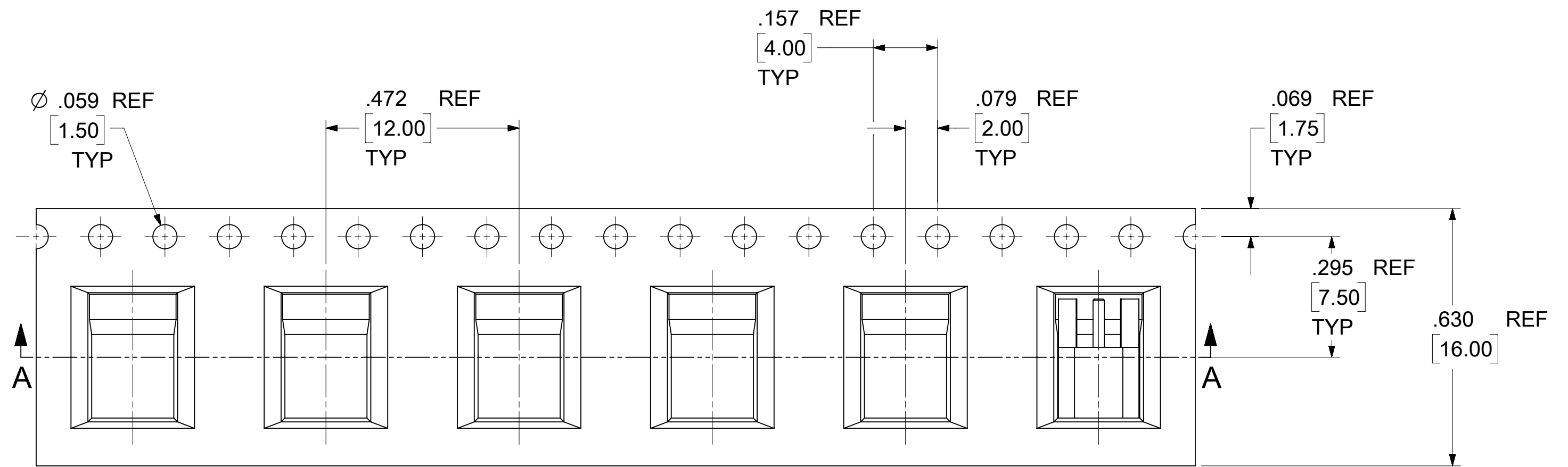
PART NUMBER: 73406-6180
ORDER NUMBER: 73406-6182
MOLEX
DATE: YYWW

73406-6182	73406-6180 ONE PER BAG	895420470
73406-6181	73406-6180 TAPE AND REEL	SHEET 2 & 3
73406-6180	73406-6180 TRAY	895420040
PART NO.	DESCRIPTION	PACKING SPEC

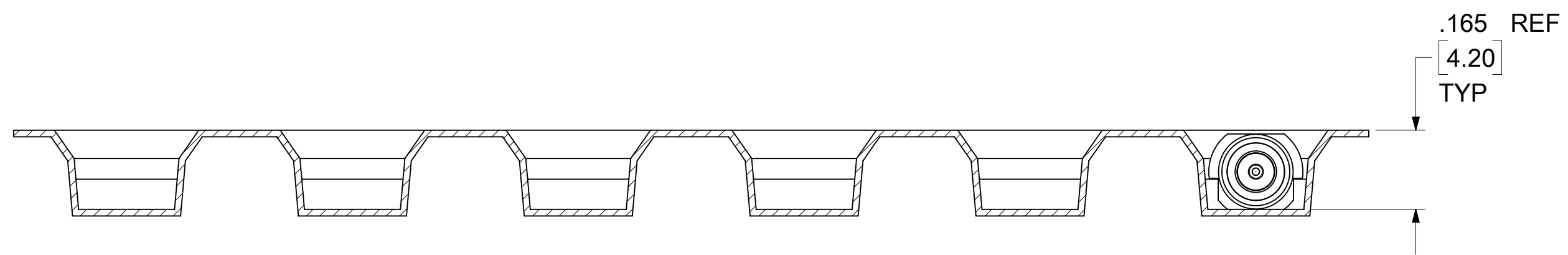
PS-89675-3320	PRODUCT SPECIFICATION
MIL-STD-348A, FIG. 326-3	INTERFACE
SPECIFICATION	DESCRIPTION

DOCUMENT STATUS	P1	RELEASE DATE	2022/08/26 09:18:47
-----------------	----	--------------	---------------------

THIS DRAWING CONTAINS INFORMATION THAT IS PROPRIETARY TO MOLEX ELECTRONIC TECHNOLOGIES, LLC AND SHOULD NOT BE USED WITHOUT WRITTEN PERMISSION									
DIMENSION UNITS	SCALE	CURRENT REV DESC: ADD 73406-6182 PER EWR #15321-B							
INCH/MM	NTS								
GENERAL TOLERANCES (UNLESS SPECIFIED)									
ANGULAR TOL	± 2.0°	SMP PLUG, PCB EDGEMOUNT 50 OHMS LIMITED DETENT SMP-P/PCB							
4 PLACES	±	PRODUCT CUSTOMER DRAWING							
3 PLACES	±	DOCUMENT NUMBER							
2 PLACES	±	SD-73406-618							
1 PLACE	±	DOC TYPE							
0 PLACES	±	PSD							
DRAFT WHERE APPLICABLE MUST REMAIN WITHIN DIMENSIONS		THIRD ANGLE PROJECTION		DRAWING		SERIES		SHEET NUMBER	
				C-SIZE		73406		1 OF 3	



VIEWS FOR 73406-6181

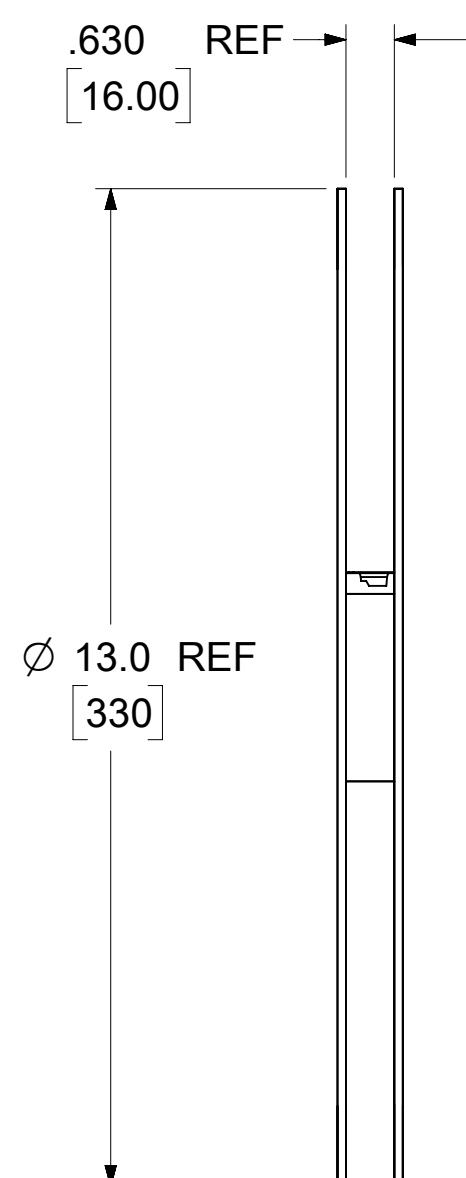


SECTION A-A

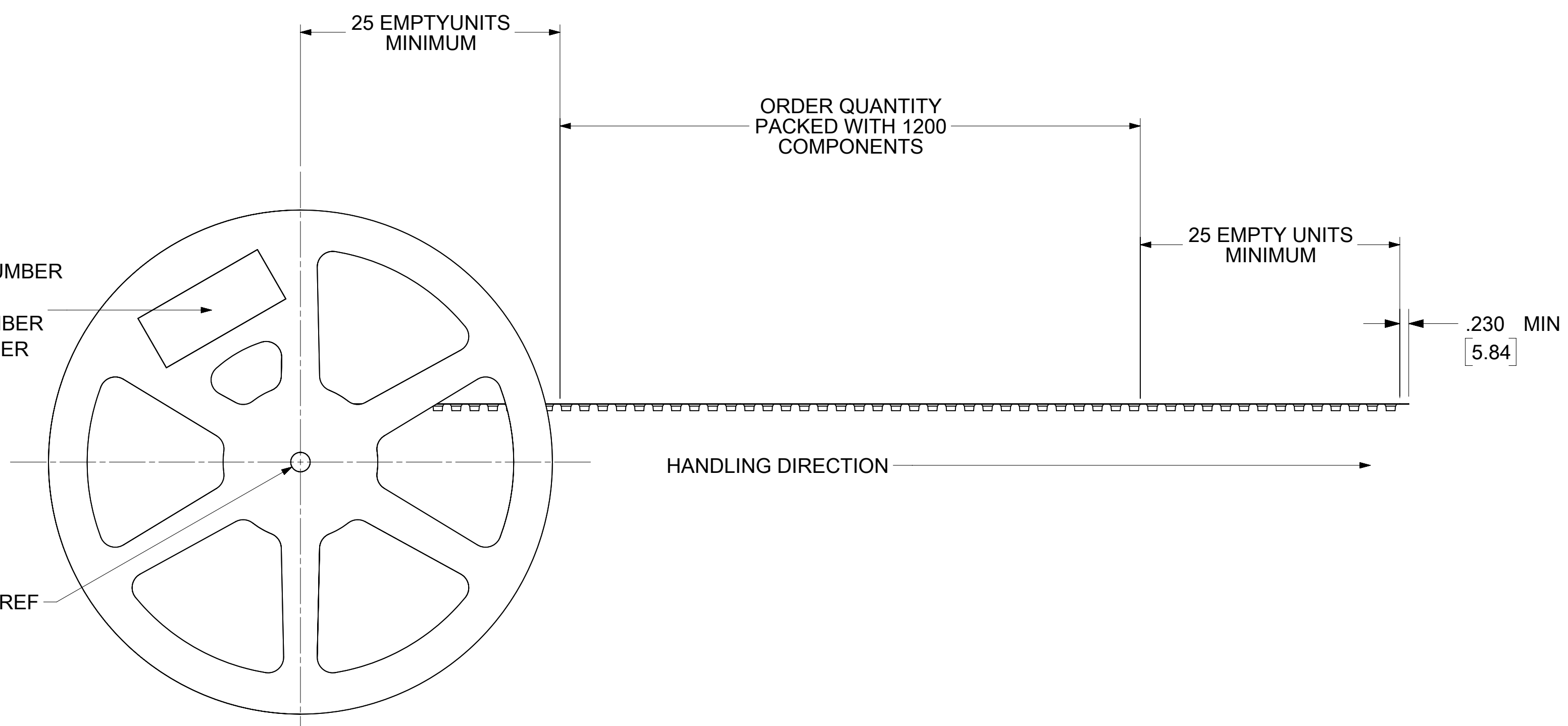
THIS DRAWING CONTAINS INFORMATION THAT IS PROPRIETARY TO MOLEX ELECTRONIC TECHNOLOGIES, LLC AND SHOULD NOT BE USED WITHOUT WRITTEN PERMISSION

DIMENSION UNITS		SCALE		CURRENT REV DESC: ADD 73406-6182 PER EWR #15321-B					
INCH/MM		NTS		<p>molex</p> <p>SMP PLUG, PCB EDGEMOUNT 50 OHMS LIMITED DETENT SMP-P/PCB</p> <p>PRODUCT CUSTOMER DRAWING</p>					
GENERAL TOLERANCES (UNLESS SPECIFIED)									
ANGULAR TOL ± 2.0°									
4 PLACES ±		EC NO: 719042							
3 PLACES ±		DRWN: RYEH 2022/08/09							
2 PLACES ±		CHK'D: YCHENG 2022/08/26							
1 PLACE ±		APPR: YCHENG 2022/08/26		DOCUMENT NUMBER					
0 PLACES ±		INITIAL REVISION:		SD-73406-618		DOC TYPE	DOC PART	REVISION	
DRAFT WHERE APPLICABLE MUST REMAIN WITHIN DIMENSIONS		THIRD ANGLE PROJECTION		DRAWING		MATERIAL NUMBER		CUSTOMER	SHEET NUMBER
				C-SIZE		SERIES		GENERAL MARKET	2 OF 3
				73406		SEE TABLE			

DOCUMENT STATUS	P1	RELEASE DATE	2022/08/26	09:18:47
-----------------	----	--------------	------------	----------



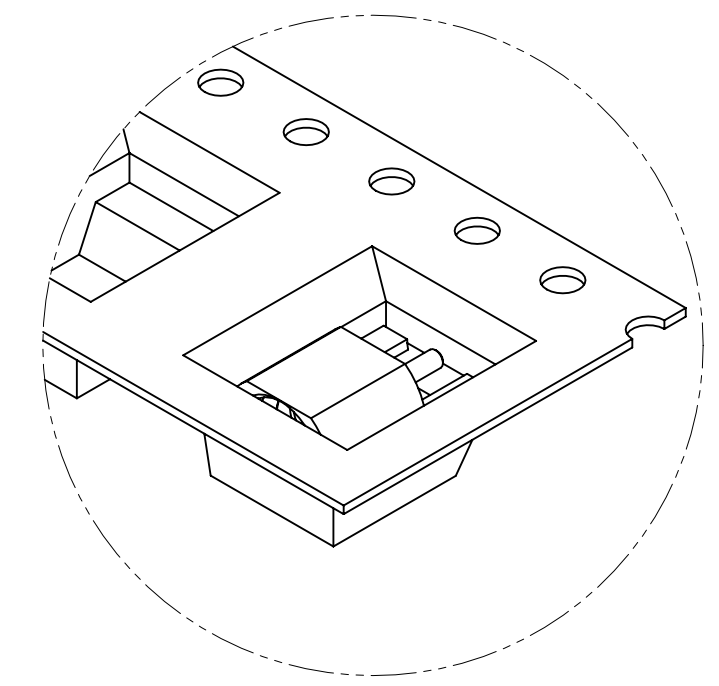
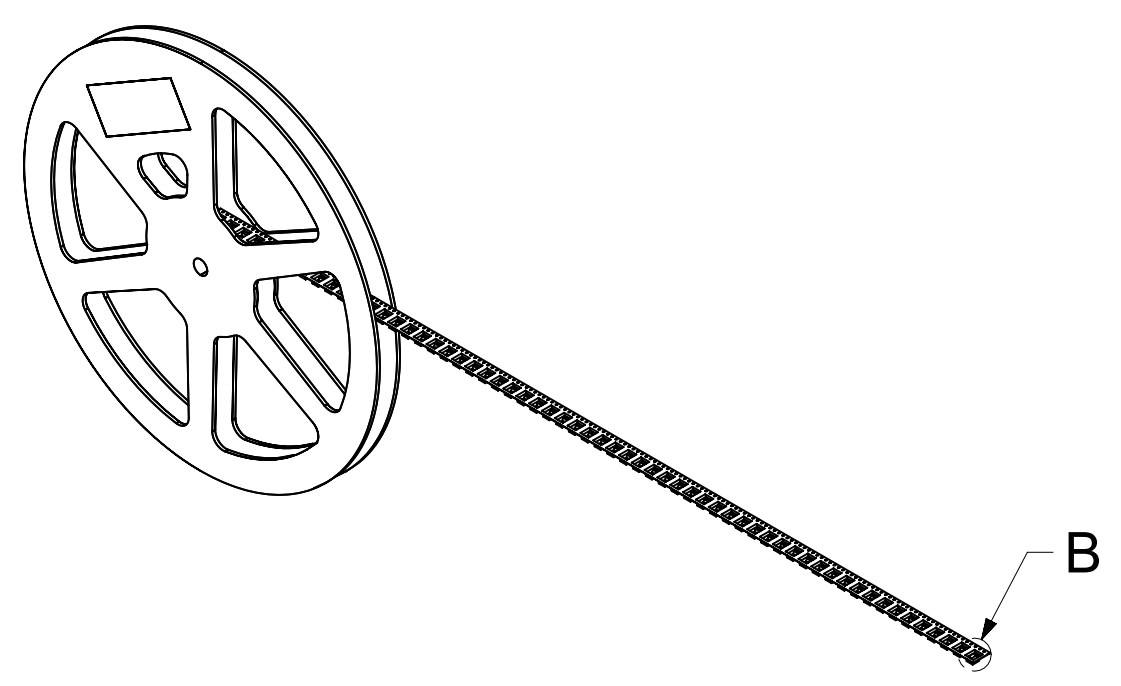
LABEL:
-ORDER NUMBER
-QUANTITY
-PART NUMBER
-LOT NUMBER



Ø .502 REF
[12.75]

HANDLING DIRECTION →

VIEWS FOR 73406-6181



DETAIL B

THIS DRAWING CONTAINS INFORMATION THAT IS PROPRIETARY TO MOLEX ELECTRONIC TECHNOLOGIES, LLC AND SHOULD NOT BE USED WITHOUT WRITTEN PERMISSION												
DIMENSION UNITS		SCALE		CURRENT REV DESC: ADD 73406-6182 PER EWR #15321-B				molex				
INCH/MM		NTS										
GENERAL TOLERANCES (UNLESS SPECIFIED)				EC NO: 719042 DRWN: RYEH 2022/08/09 CHK'D: YCHENG 2022/08/26 APPR: YCHENG 2022/08/26								
ANGULAR TOL ± 2.0°												
4 PLACES ±				INITIAL REVISION: DRWN: JLEE02 2009/01/23 APPR: JWIENER 2009/01/23				DOCUMENT NUMBER		DOC TYPE	DOC PART	REVISION
3 PLACES ±								SD-73406-618		PSD	001	A2
2 PLACES ±				DRAFT WHERE APPLICABLE MUST REMAIN WITHIN DIMENSIONS				MATERIAL NUMBER		CUSTOMER		SHEET NUMBER
1 PLACE ±										GENERAL MARKET		3 OF 3
0 PLACES ±				THIRD ANGLE PROJECTION		DRAWING		SERIES				
				C-SIZE		73406						

DOCUMENT STATUS	P1	RELEASE DATE	2022/08/26 09:18:47
-----------------	----	--------------	---------------------