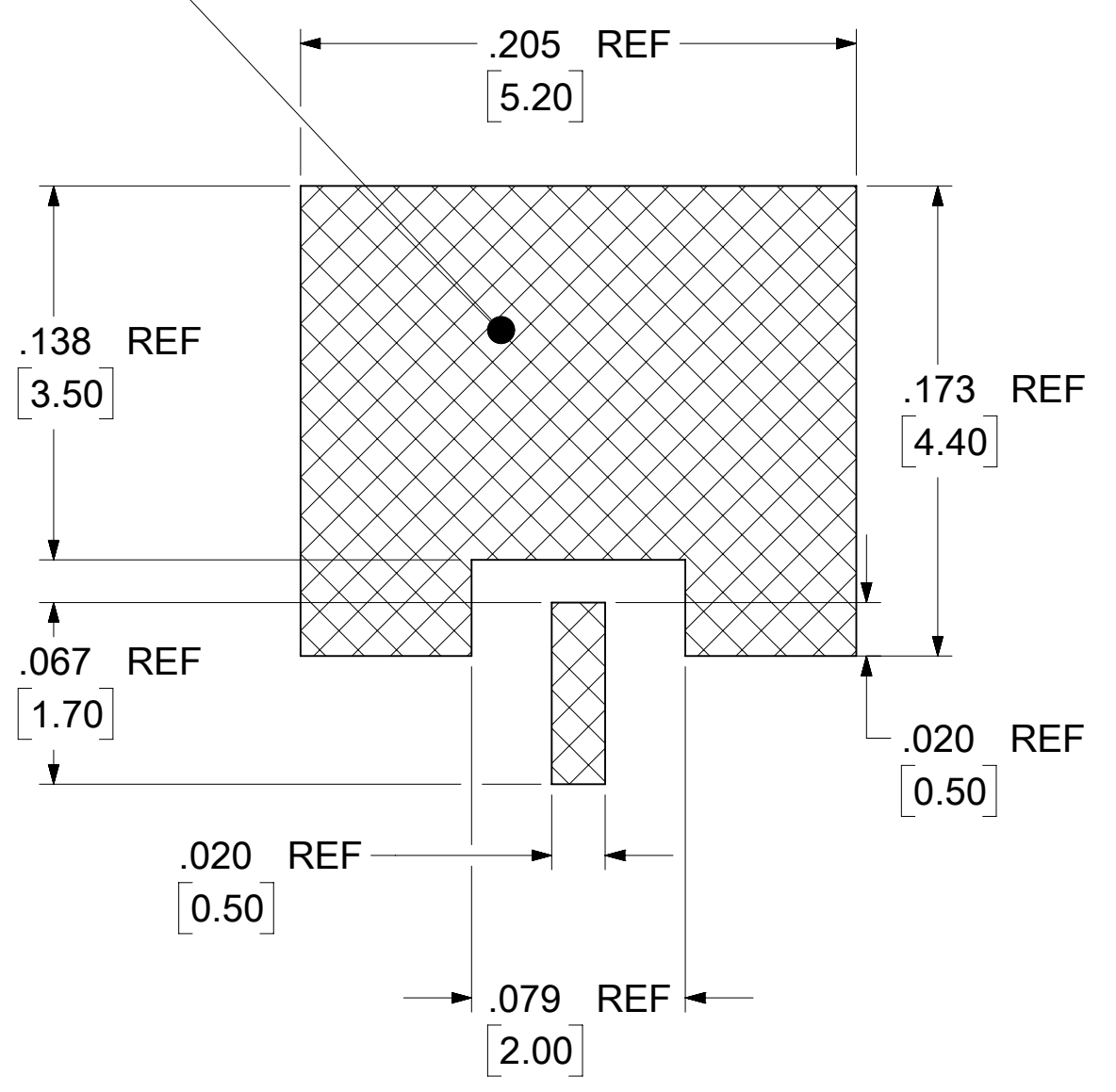
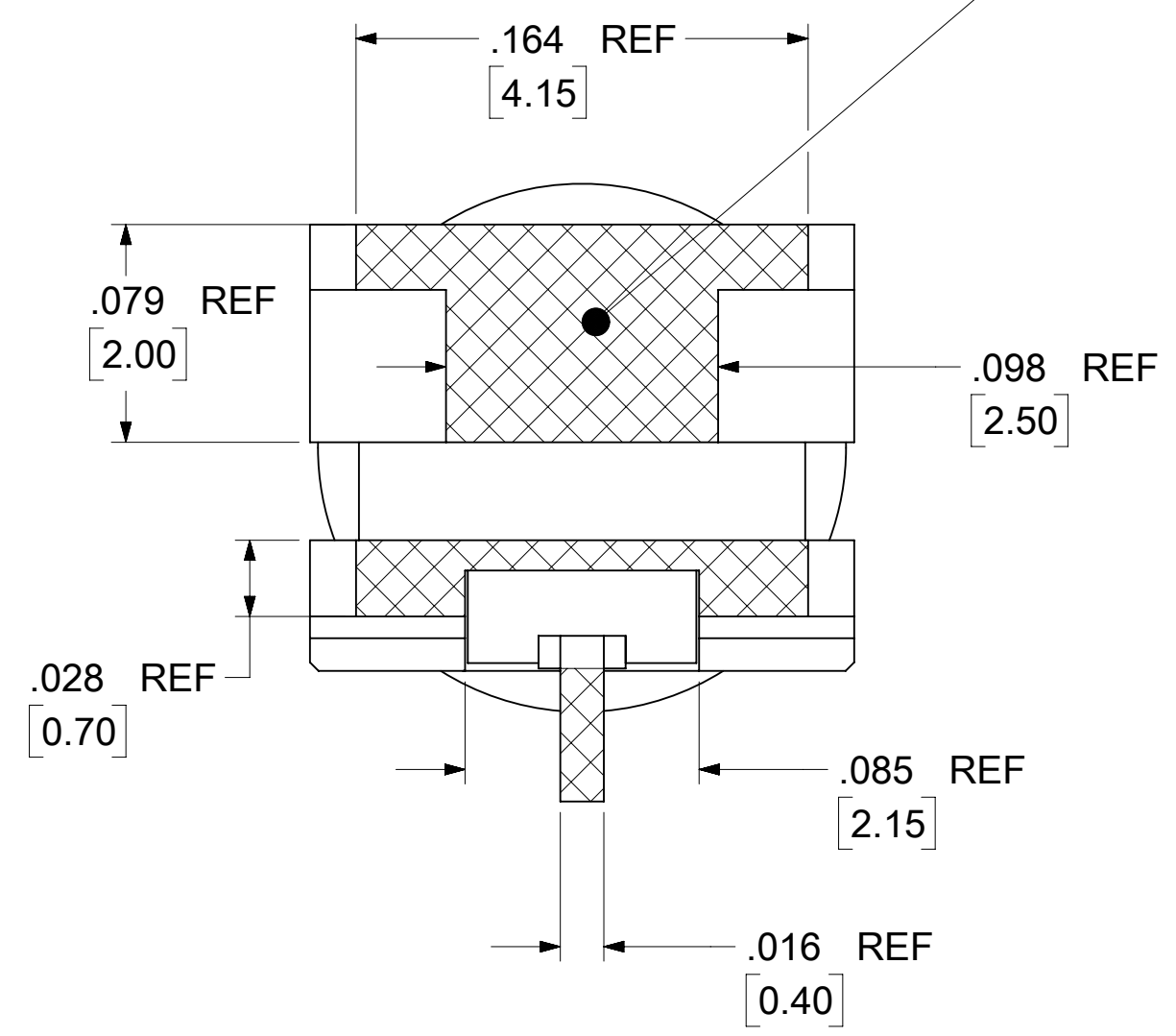
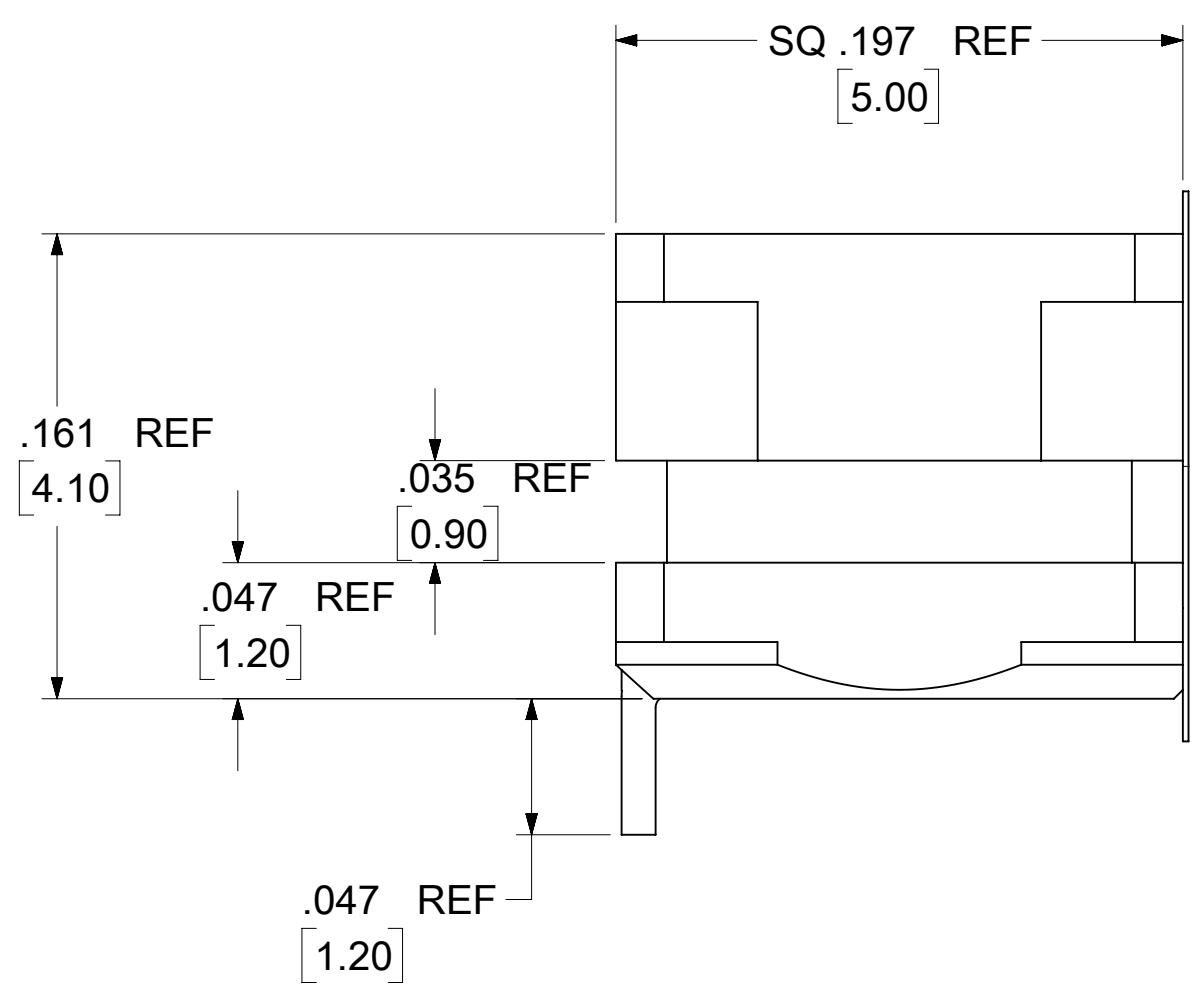
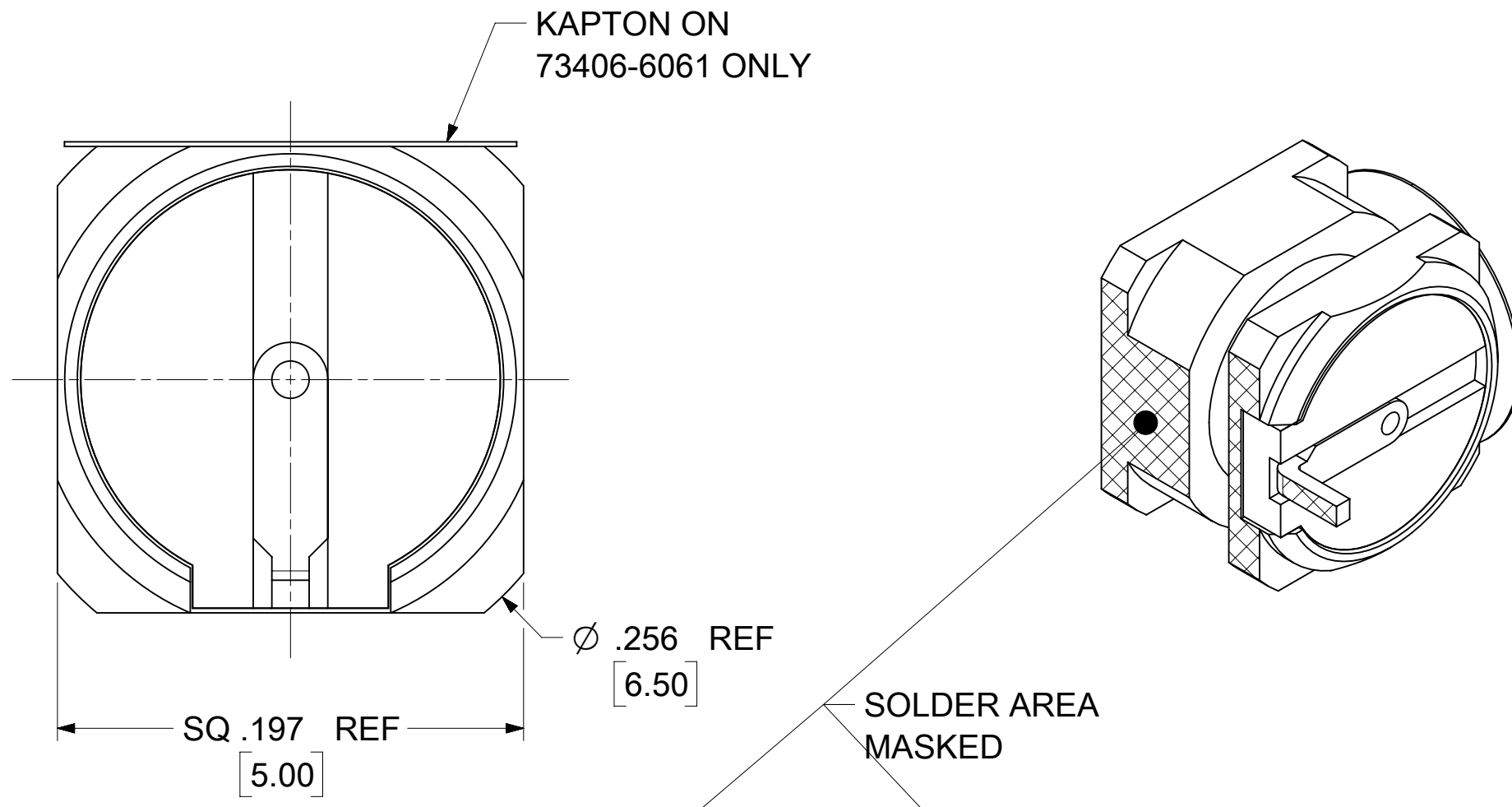


MATERIALS AND FINISHES:

BODY, CENTER CONTACT: BRASS
PLATED GOLD

INSULATOR: LCP

KAPTON: POLYIMIDE FILM
(ON -6061 ONLY)

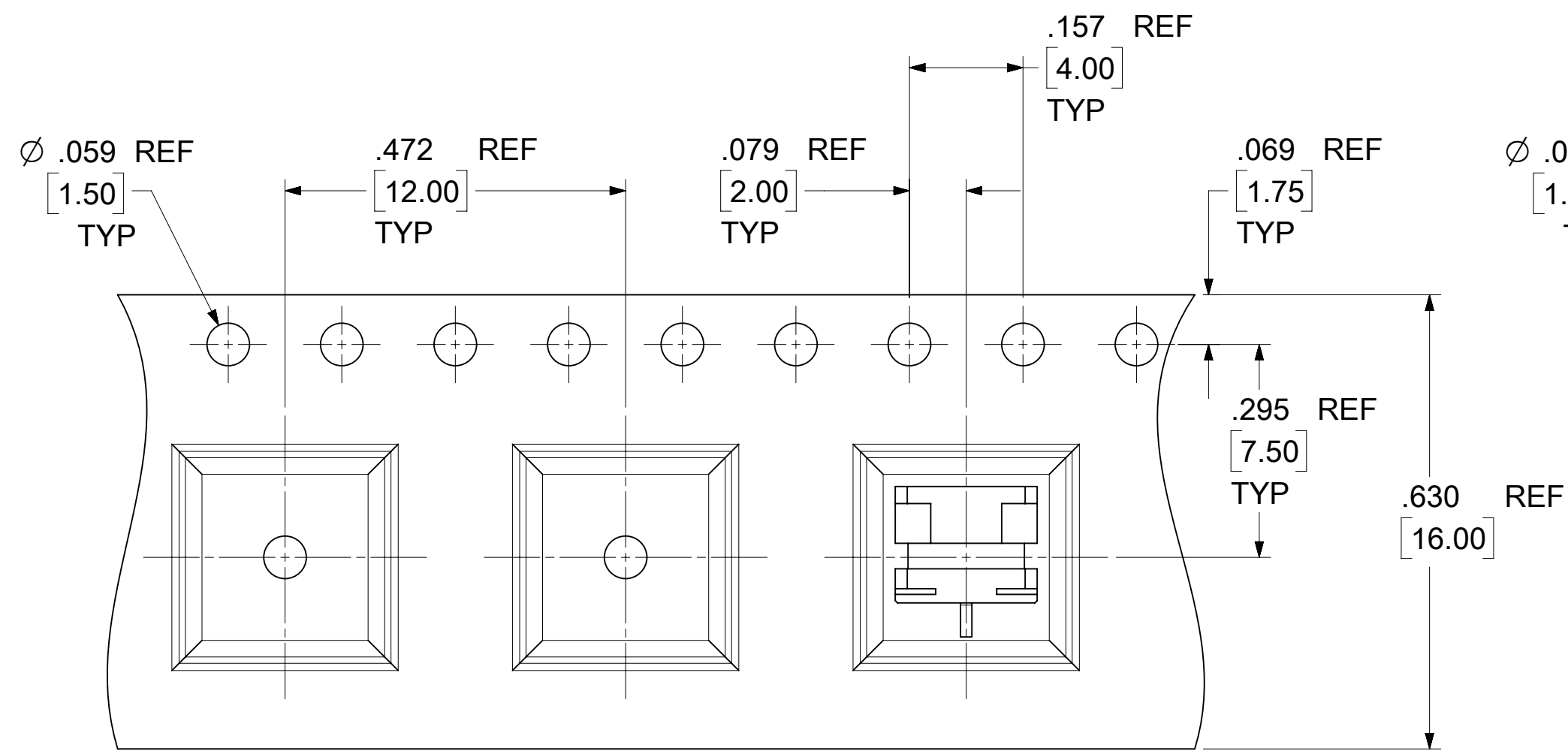


73406-6062	73406-6060 ONE PER BAG	895420470
73406-6061	73406-6060 TAPE & REEL WITH KAPTON	SHEET 2 & 3
73406-6060	73406-6060 TAPE & REEL	
PART NO.	DESCRIPTION	PACKING SPEC

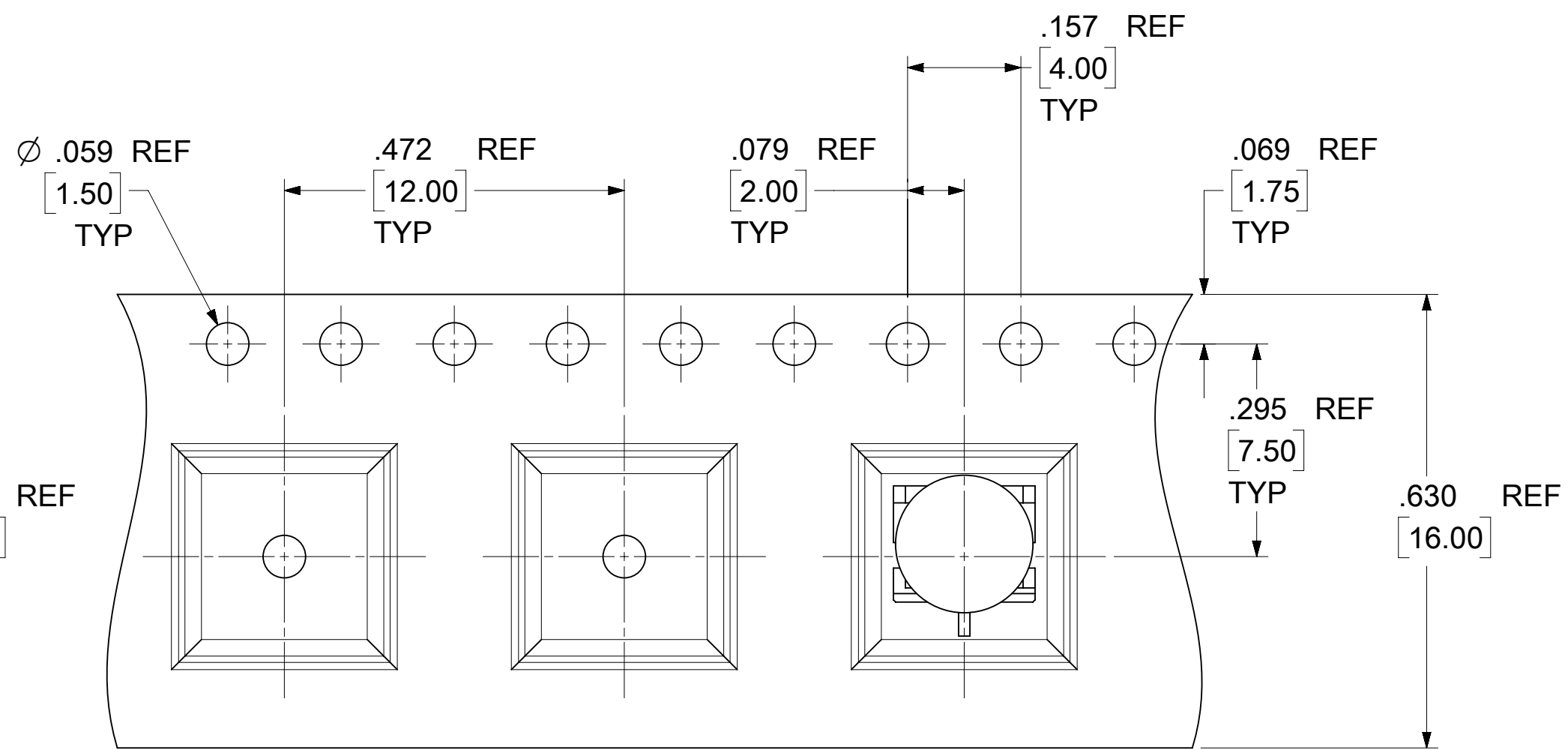
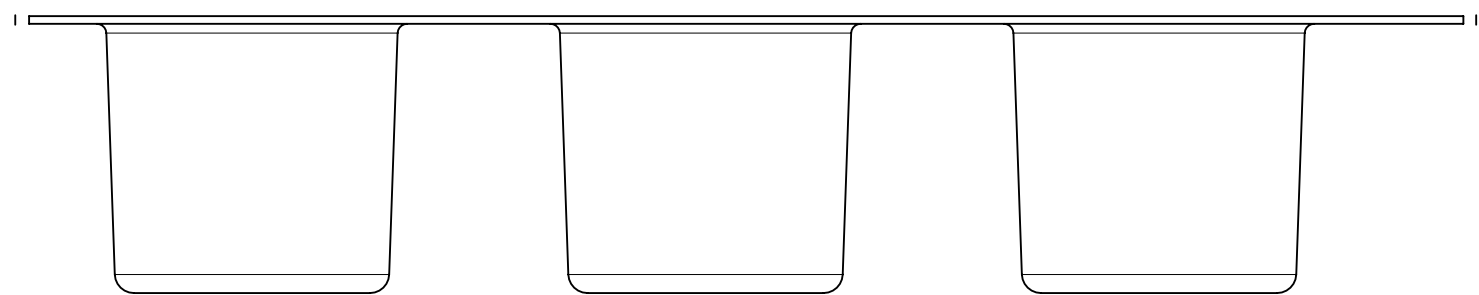
MIL-STD-348A, FIG. 326.3	INTERFACE
SPECIFICATION	DESCRIPTION

THIS DRAWING CONTAINS INFORMATION THAT IS PROPRIETARY TO MOLEX ELECTRONIC TECHNOLOGIES, LLC AND SHOULD NOT BE USED WITHOUT WRITTEN PERMISSION

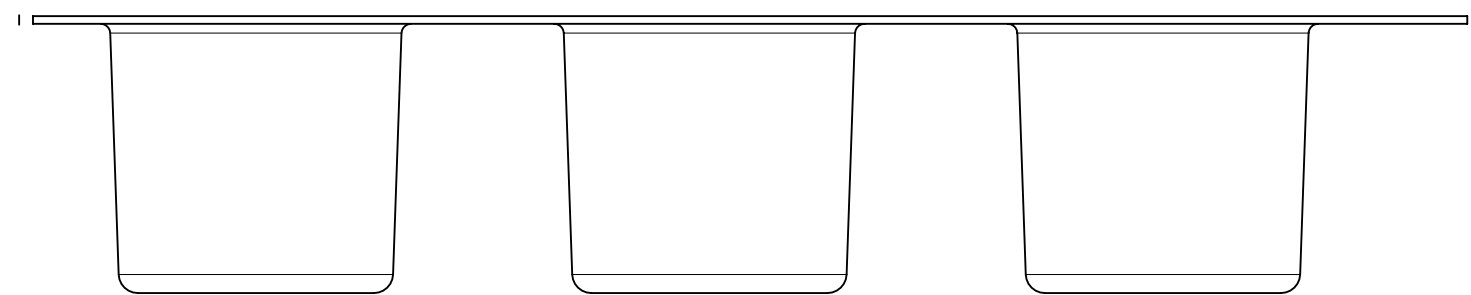
DIMENSION UNITS INCH/MM	SCALE NTS	CURRENT REV DESC: ADD 73406-6062 PER EWR #15321-B	molex		
GENERAL TOLERANCES (UNLESS SPECIFIED)					
ANGULAR TOL ± 2.0°	4 PLACES ±	EC NO: 718859	PRODUCT CUSTOMER DRAWING		
3 PLACES ±	2 PLACES ±	DRWN: RYEH 2022/08/19	DOCUMENT NUMBER		
1 PLACE ±	0 PLACES ±	CHK'D: YCHENG 2022/08/25	SD-73406-606		
DRAFT WHERE APPLICABLE MUST REMAIN WITHIN DIMENSIONS			DOC TYPE DOC PART REVISION		
THIRD ANGLE PROJECTION			PSD 001 A1		
DRAWING SERIES			MATERIAL NUMBER CUSTOMER SHEET NUMBER		
C-SIZE 73406			SEE TABLE GENERAL MARKET 1 OF 3		



VIEWS FOR 73406-6060

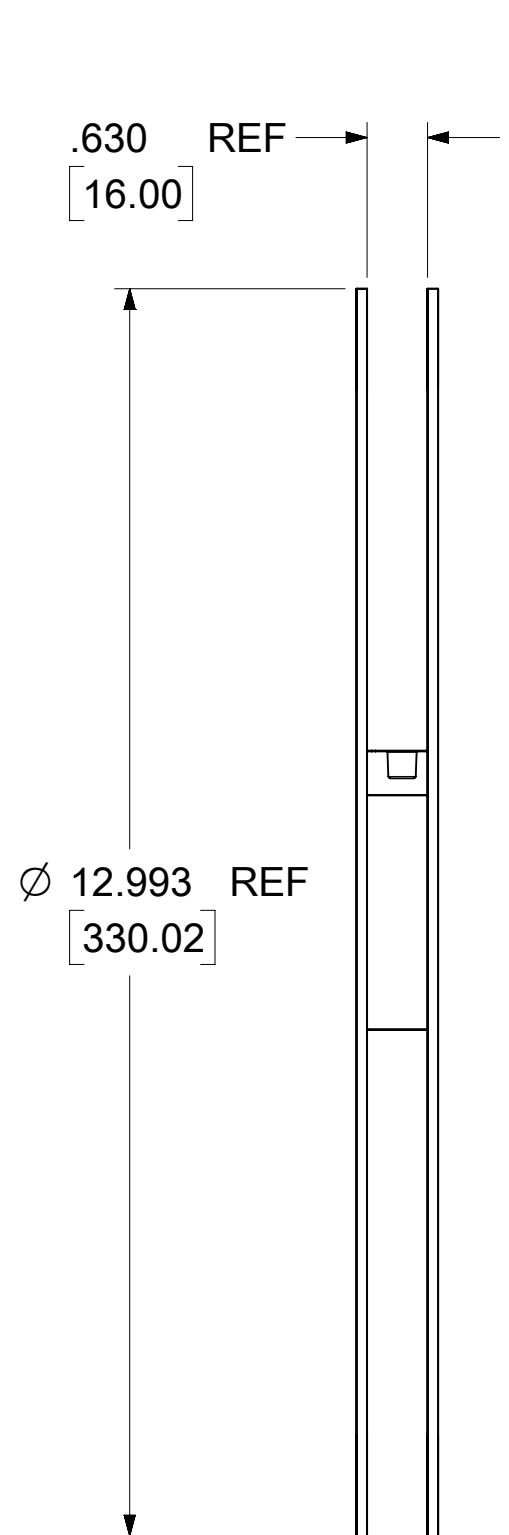


VIEWS FOR 73406-6061

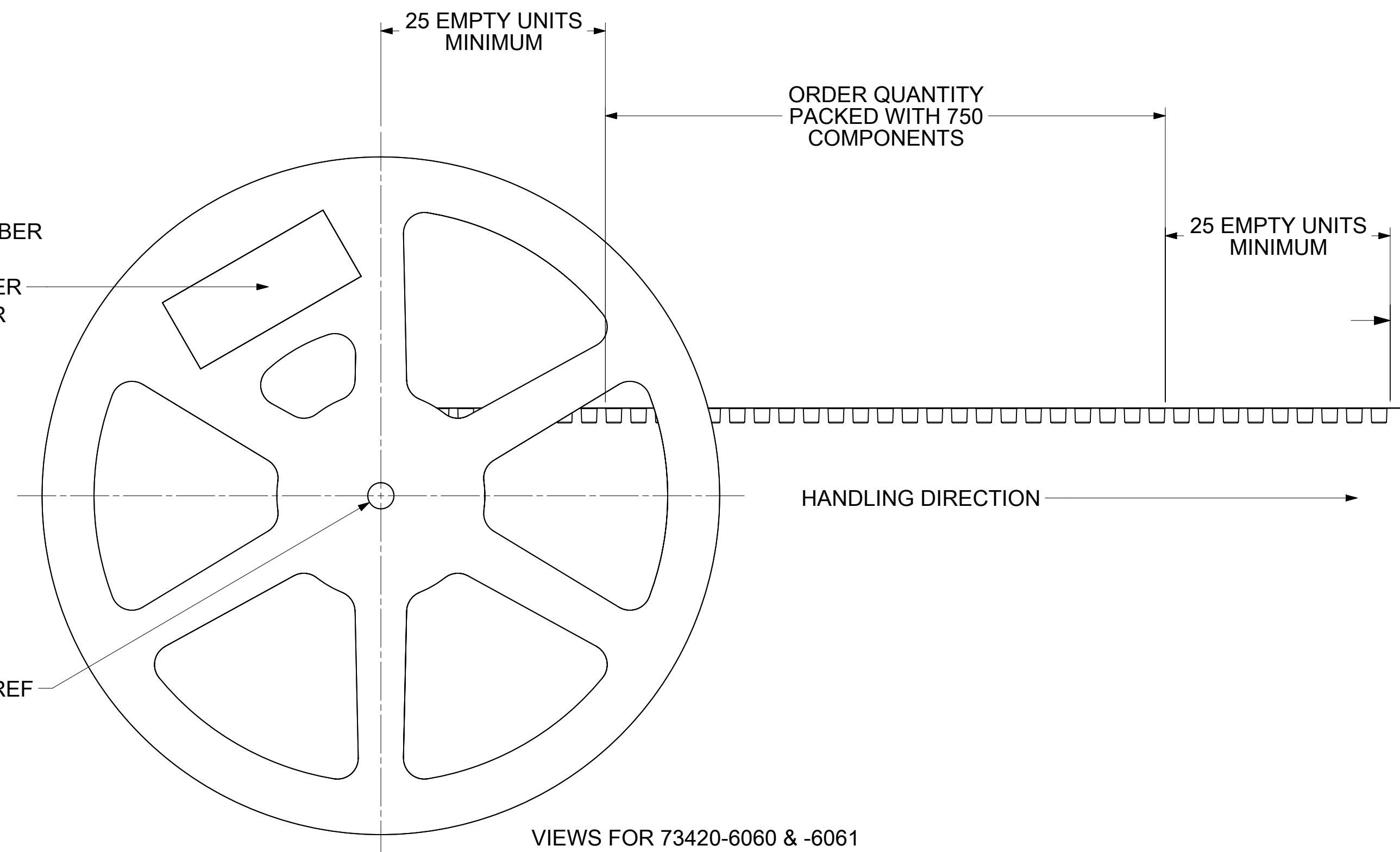


THIS DRAWING CONTAINS INFORMATION THAT IS PROPRIETARY TO MOLEX ELECTRONIC TECHNOLOGIES, LLC AND SHOULD NOT BE USED WITHOUT WRITTEN PERMISSION									
DIMENSION UNITS INCH/MM		SCALE NTS		CURRENT REV DESC: ADD 73406-6062 PER EWR #15321-B				molex	
GENERAL TOLERANCES (UNLESS SPECIFIED)				EC NO: 718859					
ANGULAR TOL ± 2.0°				DRWN: RYEH		2022/08/19		SMP PLUG, R/A PCB LIMITED DETENT, SMP-P/PCB EWR-3795	
4 PLACES ±				CHK'D: YCHENG		2022/08/25		PRODUCT CUSTOMER DRAWING	
3 PLACES ±				APPR: YCHENG		2022/08/25		DOCUMENT NUMBER	
2 PLACES ±				INITIAL REVISION:		2008/10/27		SD-73406-606	
1 PLACE ±				DRWN: JLEE02		2008/10/27		DOC TYPE DOC PART REVISION	
0 PLACES ±				APPR: JWIENER		2008/10/27		PSD 001 A1	
DRAFT WHERE APPLICABLE MUST REMAIN WITHIN DIMENSIONS		THIRD ANGLE PROJECTION		DRAWING C-SIZE		SERIES 73406		MATERIAL NUMBER SEE TABLE	
						CUSTOMER GENERAL MARKET		SHEET NUMBER 2 OF 3	

DOCUMENT STATUS	P1	RELEASE DATE	2022/08/25 07:05:57
-----------------	----	--------------	---------------------

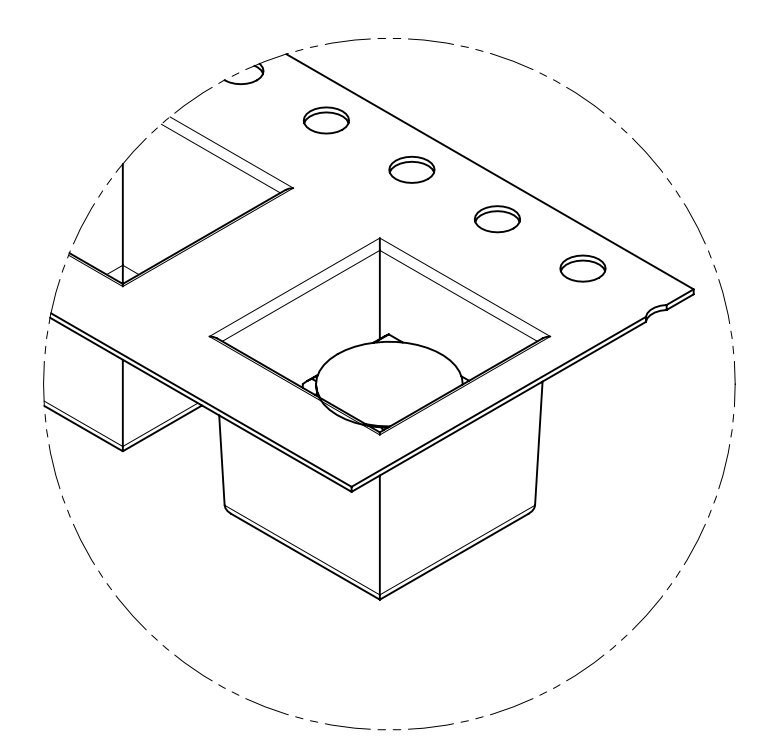
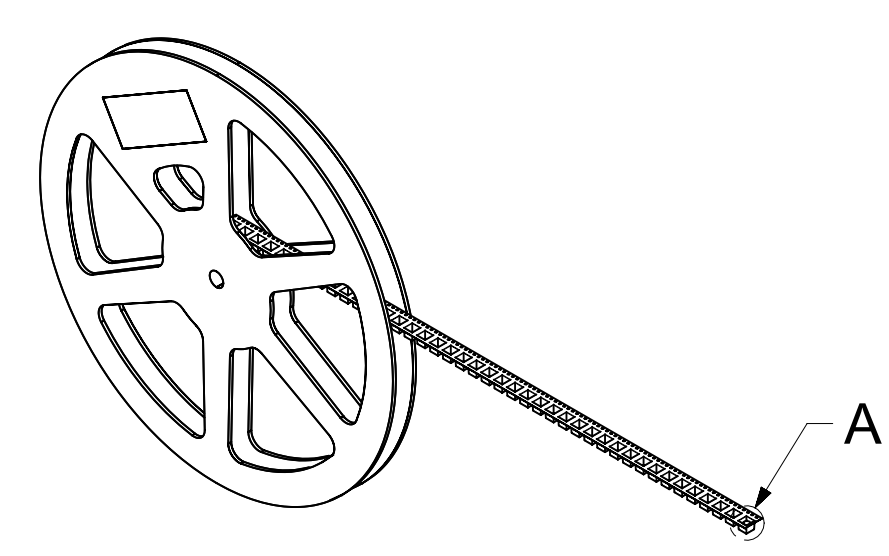


LABEL:
 -ORDER NUMBER
 -QUANTITY
 -PART NUMBER
 -LOT NUMBER



.230 MIN
 [5.84]

VIEWS FOR 73420-6060 & -6061



DETAIL A

THIS DRAWING CONTAINS INFORMATION THAT IS PROPRIETARY TO MOLEX ELECTRONIC TECHNOLOGIES, LLC AND SHOULD NOT BE USED WITHOUT WRITTEN PERMISSION									
DIMENSION UNITS INCH/MM		SCALE NTS		CURRENT REV DESC: ADD 73406-6062 PER EWR #15321-B				molex	
GENERAL TOLERANCES (UNLESS SPECIFIED)				EC NO: 718859					
ANGULAR TOL ± 2.0°				DRWN: RYEH 2022/08/19				SMP PLUG, R/A PCB LIMITED DETENT, SMP-P/PCB EWR-3795	
4 PLACES ±				CHK'D: YCHENG 2022/08/25					
3 PLACES ±				APPR: YCHENG 2022/08/25				PRODUCT CUSTOMER DRAWING	
2 PLACES ±				INITIAL REVISION:					
1 PLACE ±				DRWN: JLEE02 2008/10/27				DOCUMENT NUMBER	
0 PLACES ±				APPR: JWIENER 2008/10/27				SD-73406-606	
DRAFT WHERE APPLICABLE MUST REMAIN WITHIN DIMENSIONS		THIRD ANGLE PROJECTION		DRAWING C-SIZE		SERIES 73406		MATERIAL NUMBER SEE TABLE	
						CUSTOMER GENERAL MARKET		DOC TYPE PSD	
								DOC PART 001	
								REVISION A1	
								SHEET NUMBER 3 OF 3	

DOCUMENT STATUS	P1	RELEASE DATE	2022/08/25 07:05:57
-----------------	----	--------------	---------------------