

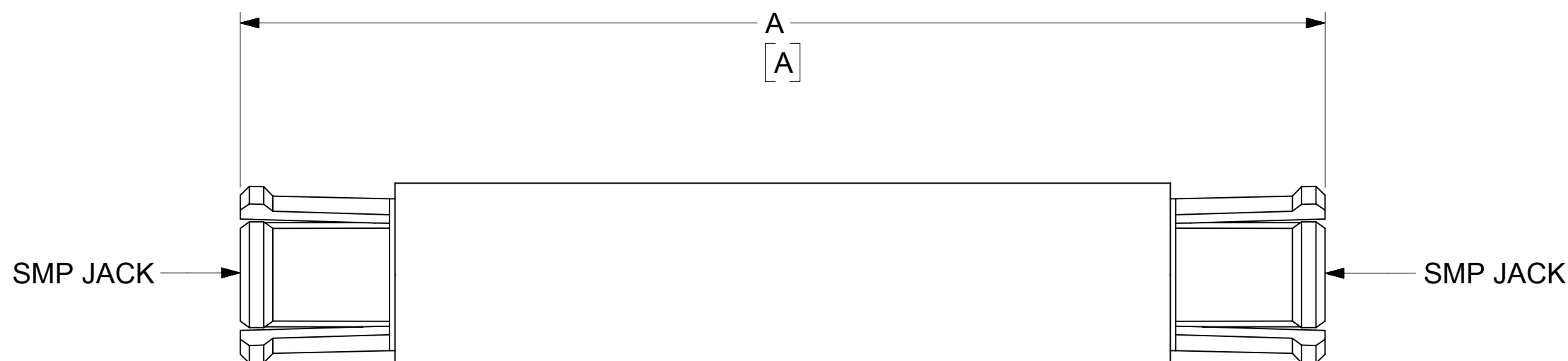
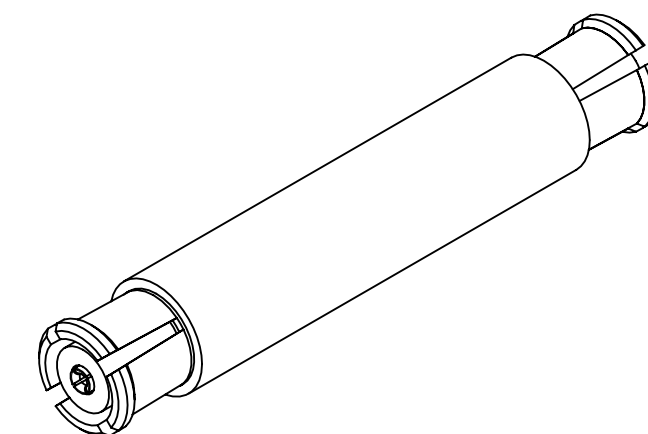
MATERIALS AND FINISHES:

BODY: BERYLLIUM COPPER  
PLATED: SEE TABLE

CONTACT: BERYLLIUM COPPER  
PLATED: SEE TABLE

INSULATOR: PTFE

NOTE:  
PLATING MEASUREMENT ZONE:  
SEE SD-73415-335



LABEL FORMAT FOR  
73406-0591

PART NUMBER: 73415-3353  
ORDER NUMBER: 73406-0591  
MOLEX  
DATE: YYWW

LABEL FORMAT FOR  
73406-0593

PART NUMBER: 73415-3357  
ORDER NUMBER: 73406-0593  
MOLEX  
DATE: YYWW

LABEL FORMAT FOR  
73406-0595

PART NUMBER: 73415-3359  
ORDER NUMBER: 73406-0595  
MOLEX  
DATE: YYWW

LABEL FORMAT FOR  
73406-0590

PART NUMBER: 73415-3351  
ORDER NUMBER: 73406-0590  
MOLEX  
DATE: YYWW

LABEL FORMAT FOR  
73406-0592

PART NUMBER: 73415-3354  
ORDER NUMBER: 73406-0592  
MOLEX  
DATE: YYWW

LABEL FORMAT FOR  
73406-0594

PART NUMBER: 73415-3358  
ORDER NUMBER: 73406-0594  
MOLEX  
DATE: YYWW

73406-0595	GOLD (10μ-in MIN) OVER NICKEL (100μ-in MIN)	GOLD (10μ-in MIN) OVER NICKEL (100μ-in MIN)	.646±.003	16.40±0.08	73415-3359 ONE PER BAG	895420470
73406-0594	GOLD (30μ-in MIN) OVER NICKEL (100μ-in MIN)	GOLD (30μ-in MIN) OVER NICKEL (100μ-in MIN)	.677±.003	17.20±0.08	73415-3358 ONE PER BAG	
73406-0593			.449±.003	11.40±0.08	73415-3357 ONE PER BAG	
73406-0592			1.131±.003	28.73±0.08	73415-3354 ONE PER BAG	
73406-0591			.571±.003	14.50±0.08	73415-3353 ONE PER BAG	
73406-0590			GOLD (50μ-in MIN) OVER NICKEL (100μ-in MIN)	.799±.003	20.30±0.08	
PART NO.	BODY PLATING	CONTACT PLATING	IN	MM	DESCRIPTION	PACKING SPEC
			DIM A			

PS-89675-3320	PRODUCT SPECIFICATION
MIL-STD-348B, FIG. 326.1	INTERFACE SMP JACK
SPECIFICATION	DESCRIPTION

THIS DRAWING CONTAINS INFORMATION THAT IS PROPRIETARY TO MOLEX ELECTRONIC TECHNOLOGIES, LLC AND SHOULD NOT BE USED WITHOUT WRITTEN PERMISSION

DIMENSION UNITS	SCALE	CURRENT REV DESC:	
INCH/MM	NTS		
GENERAL TOLERANCES (UNLESS SPECIFIED)			
ANGULAR TOL	± °		
4 PLACES	±	EC NO: 719046	
3 PLACES	±	DRWN: RYEH	2022/08/17
2 PLACES	±	CHK'D: YCHENG	2022/08/26
1 PLACE	±	APPR: YCHENG	2022/08/26
0 PLACES	±	INITIAL REVISION:	
DRAFT WHERE APPLICABLE MUST REMAIN WITHIN DIMENSIONS		DRWN: RYEH	2022/08/17
		APPR: YCHENG	2022/08/26
THIRD ANGLE PROJECTION	DRAWING	SERIES	DOCUMENT NUMBER
	C-SIZE	73406	734060590
		MATERIAL NUMBER	CUSTOMER
		SEE TABLE	
		SHEET NUMBER	
		1 OF 1	

**molex**

SMP JACK TO JACK ADAPTER 50 OHMS

PRODUCT CUSTOMER DRAWING

DOC TYPE: PSD DOC PART: 000 REVISION: A