

MATERIALS AND FINISHES

BODY: BRASS  
PLATED: NICKEL (70u-in MIN)

CENTER CONTACT: PHOSPOR BRONZE  
PLATED: SELECTIVE GOLD (1u-in MIN AT TIP)  
PLATED: TIN (50u-in MIN REST OF PART)

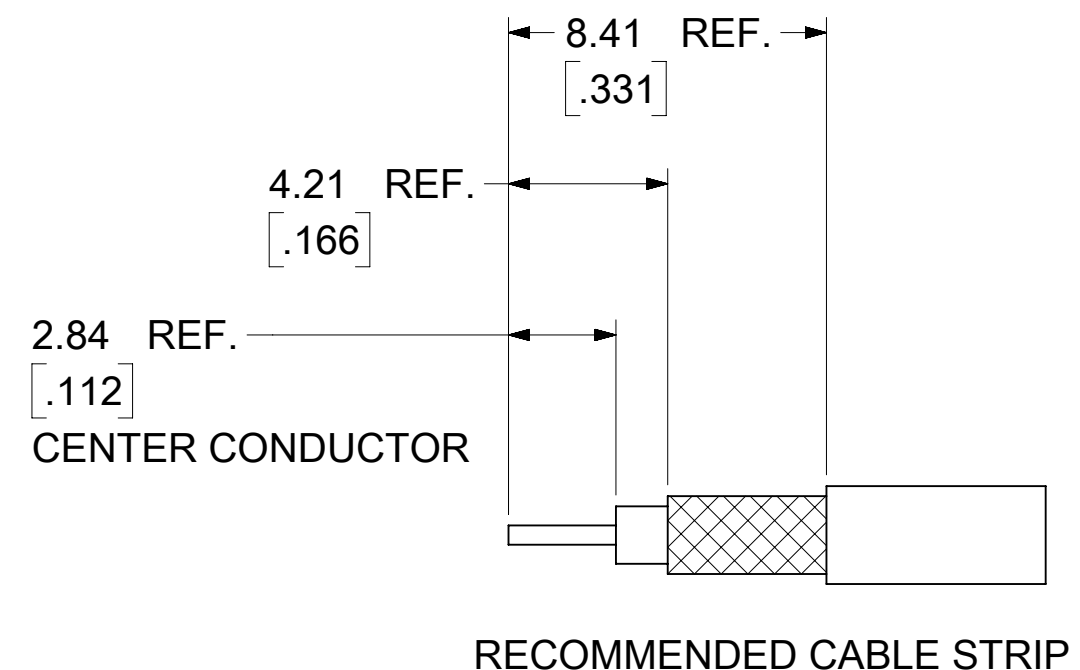
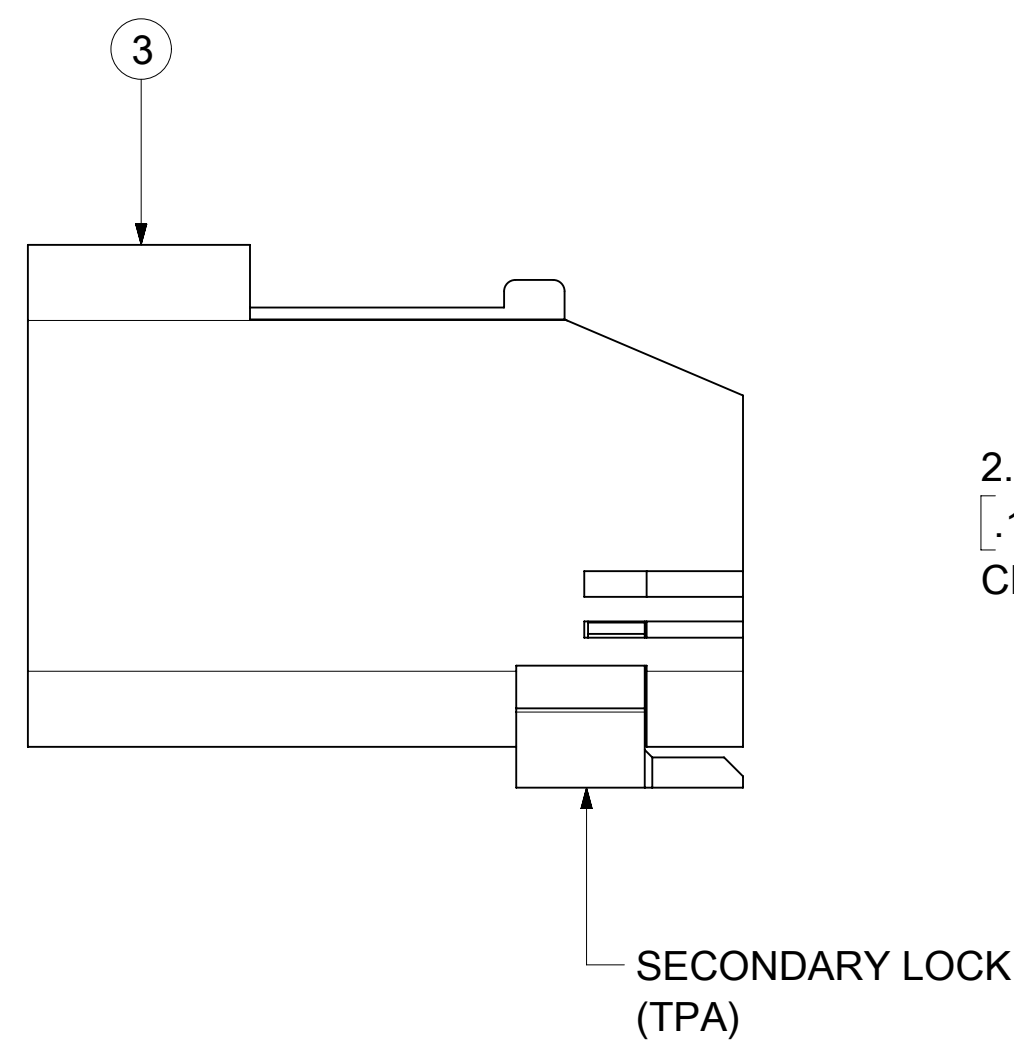
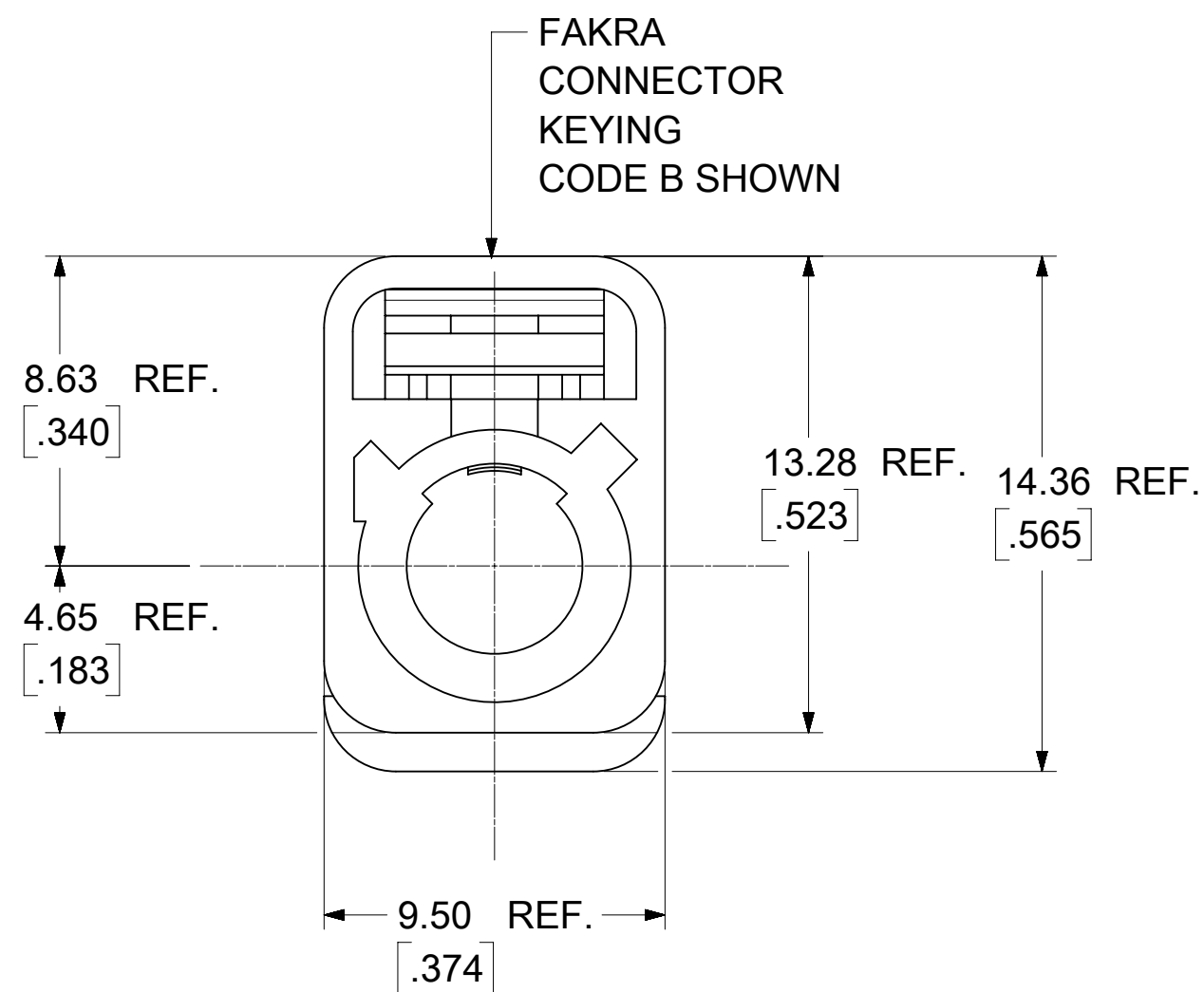
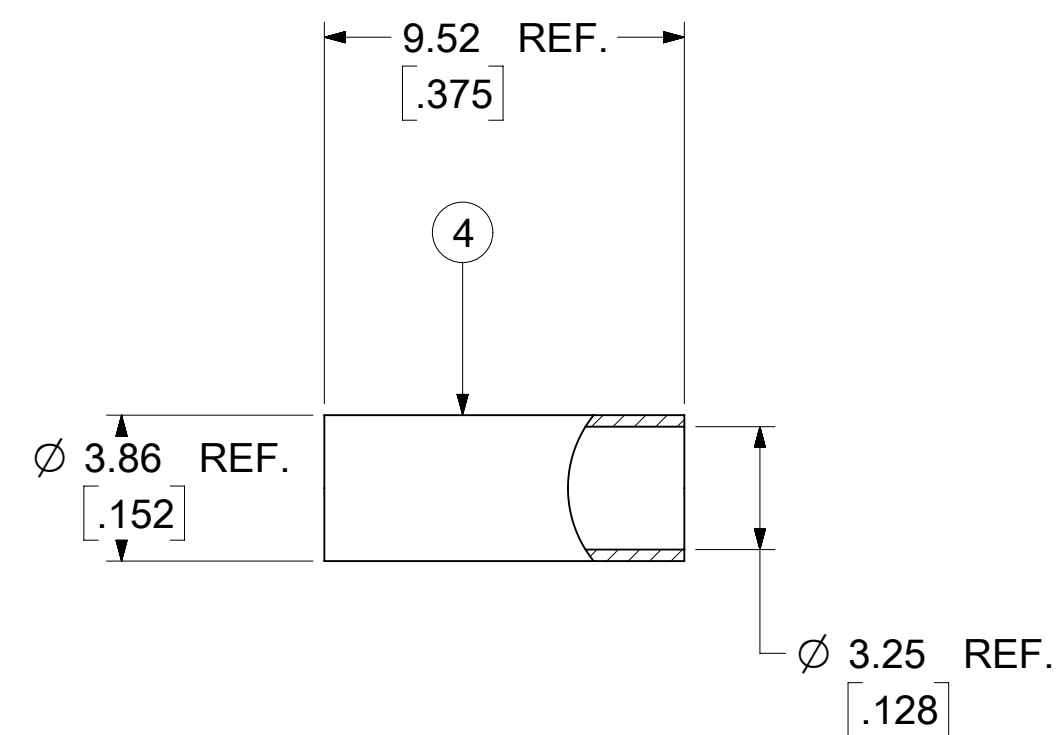
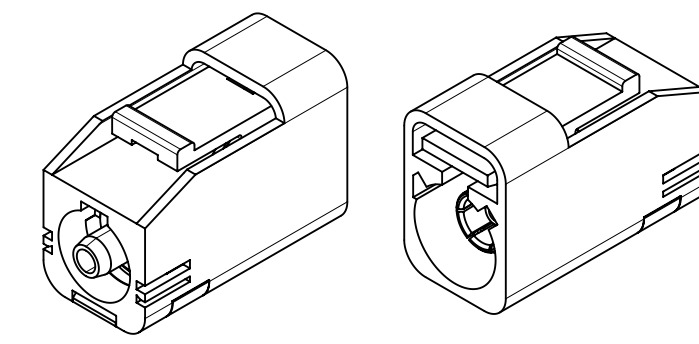
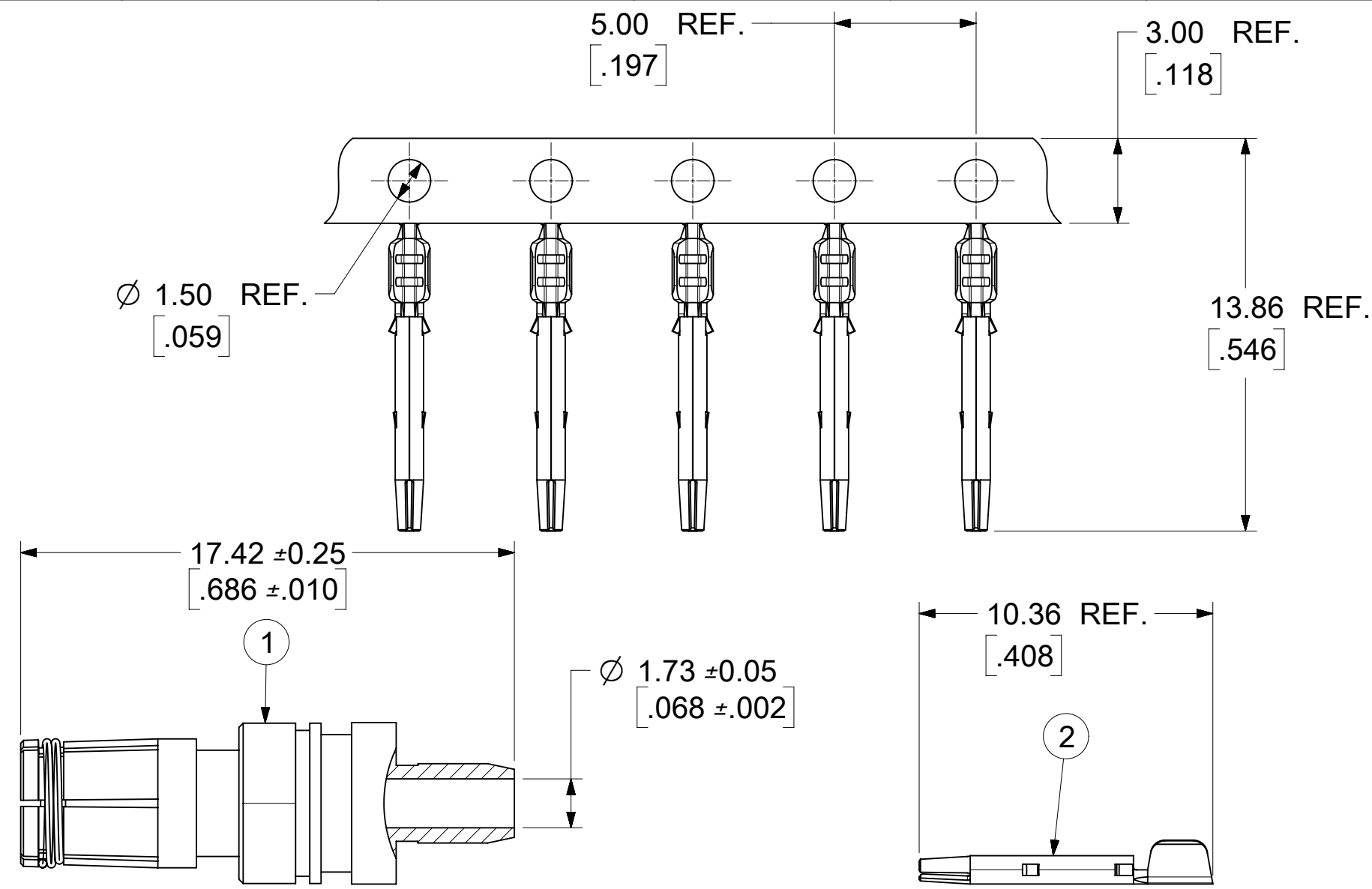
CRIMP TUBE: BRASS  
PLATED: NICKEL (70u-in MIN)

OUTER CASING: NYLON 66 OR EQUIVALENT  
KEYING: SEE TABLE  
COLOR: SEE TABLE

INSULATOR: POLYPROPYLENE, UL94V-0

PACKAGING BY BAG

- NOTE:  
1. 250 PCS (89618-43XX) PER ZIPLOCK BAG.  
NOTICE: THE BAG MUST BE COMPLETELY SEALED.  
2. STORAGE CONDITIONS:  
TEMPERATURE -10° TO 40° C HUMIDITY <75%



4	89674-0805	CRIMP TUBE	1
3	SEE SHEET 2	SHROUD WITH TPA	1
2	89538-0251	CENTER CONTACT	1
1	89618-4340	SMB PLUG STR. FOR RG316	1
	PART NO.	DESCRIPTION	QTY

PS-89675-331	PRODUCT SPECIFICATION
DIN 72594-1	INTERFACE SPECIFICATION
SPECIFICATION	DESCRIPTION

2020/02/07	C3	INSULATOR ADD UL94V-0 PER EWR13590-A
2018/04/18	C2	REMOVE TITLE II PER 11896
2017/01/23	C1	ADDED TOLERANCE
DATE	REV.	DESCRIPTION

THIS DRAWING CONTAINS INFORMATION THAT IS PROPRIETARY TO MOLEX ELECTRONIC TECHNOLOGIES, LLC AND SHOULD NOT BE USED WITHOUT WRITTEN PERMISSION

<b>SYMBOLS</b>	<b>DIMENSION UNITS</b>	<b>SCALE</b>	<b>CURRENT REV</b>	<b>DESC:</b>
▽ = 0	HYBRID	NTS		
▽ = 0	GENERAL TOLERANCES (UNLESS SPECIFIED)			
▽ = 0	ANGULAR TOL ± 2.0°			
▽ = 0	4 PLACES	±		
▽ = 0	3 PLACES	±		
▽ = 0	2 PLACES	±		
▽ = 0	1 PLACE	±		
□ = 0	0 PLACES	±		
■ = 0	DRAFT WHERE APPLICABLE MUST REMAIN WITHIN DIMENSIONS			
▽ = 0	THIRD ANGLE PROJECTION			
	DRAWING	SERIES	MATERIAL NUMBER	CUSTOMER
	C-SIZE	73403	SEE SHEET 2	GENERAL MARKET

EC NO: 631845  
DRWN: CWEI02 2020/02/07  
CHK'D: YCHENG 2020/02/10  
APPR: YCHENG 2020/02/10

INITIAL REVISION:  
DRWN: ELIN 2015/05/29  
APPR: YCHENG 2015/08/26

**molex**

FAKRA PLUG STR. FOR RG316/174 CABLE FAKRA -PC

PRODUCT CUSTOMER DRAWING

DOCUMENT NUMBER	DOC TYPE	DOC PART	REVISION
SD-73403-692	PSD	001	C3

SHEET NUMBER: 1 OF 2

