

MATERIALS AND FINISHES

PACKAGING BY PLASTIC BAG.

BODY , FERRULE , WASHER , BUSHING BRASS  
PLATED NICKEL

CENTER CONTACT BRASS  
PLATED GOLD

INSULATOR , WASHER TEFLON

SPRING WASHER BERYLLIUM COPPER  
PLATED NICKEL

RETAINING RING BRASS  
PLATED NICKEL

GASKET SILICONE RUBBER

COUPLING NUT ZINC ALLOY  
PLATED NICKEL

CABLE RG316

SHRINK TUBE VERSAFIT

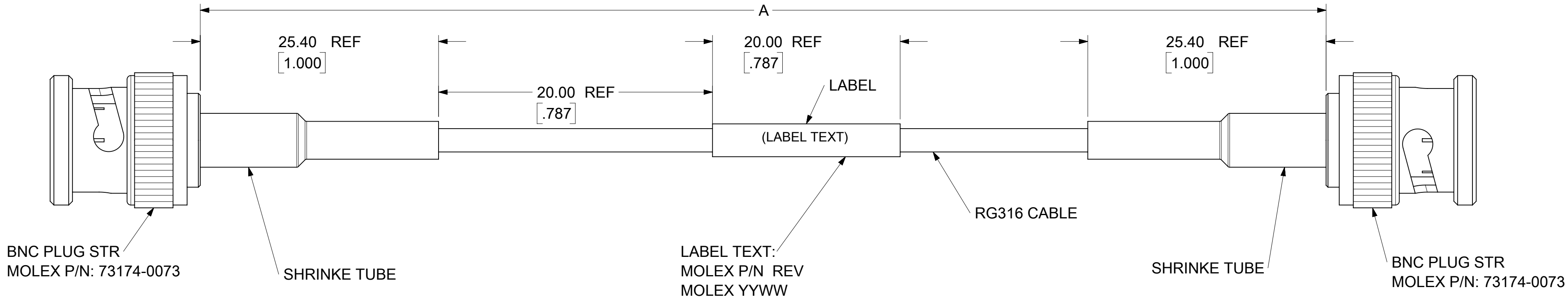
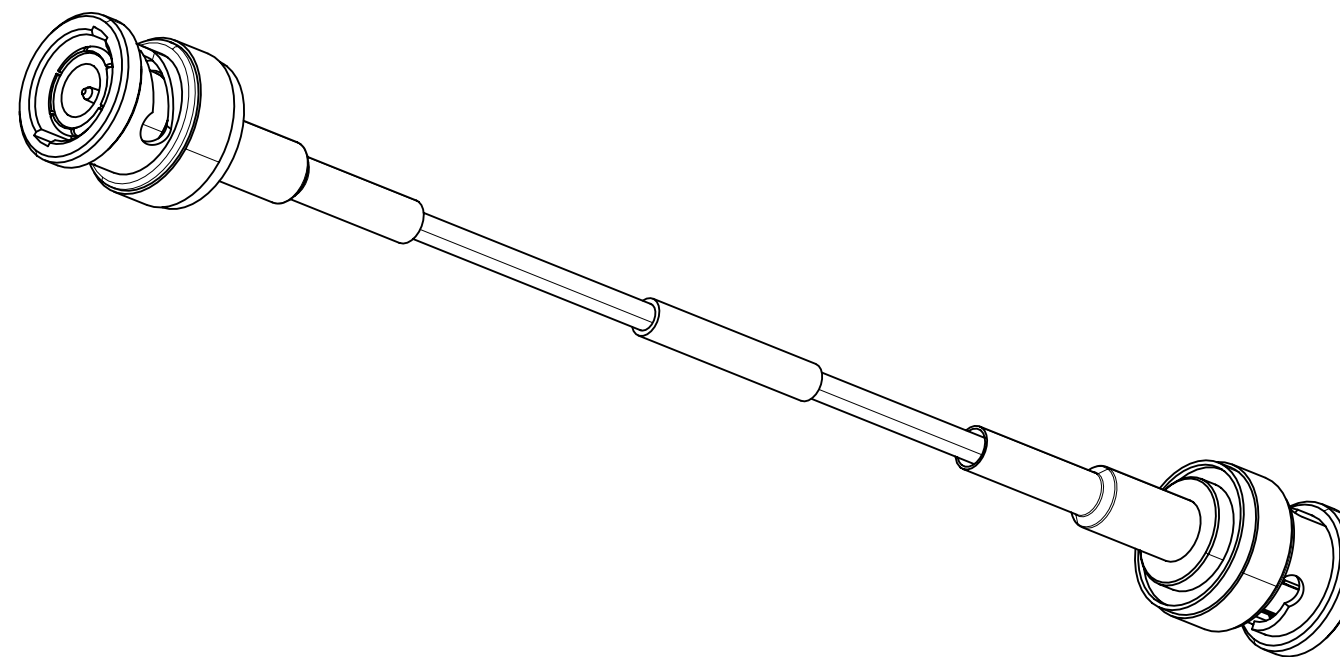


TABLE 2:

73230-5265	18.000±.236	457.20±6.00
73230-5264	12.000±.157	304.80±4.00
73230-5263	6.000±.079	152.40±2.00
73230-5262	118.110±1.380	3000.00±35.00
73230-5261	78.740±.980	2000.00±25.00
73230-5260	39.370±.590	1000.00±15.00
PART NO.	IN	MM
	DIM A	

TABLE 1:

PS-73598-0024	ELECTRO/MECH SPEC.
MIL-STD-348A, FIG. 301.1	INTERFACE
SPECIFICATION	DESCRIPTION

FUNCTIONAL SYMBOLS $\nabla_A = 0$ $\nabla_C = 0$ $\nabla_E = 0$ NEW RELEASE	THIS DRAWING CONTAINS INFORMATION THAT IS PROPRIETARY TO MOLEX ELECTRONIC TECHNOLOGIES, LLC AND SHOULD NOT BE USED WITHOUT WRITTEN PERMISSION	SCALE <b>3:1</b>	CURRENT REV DESC:			
	DIMENSION UNITS <b>MM/INCH</b>	GENERAL TOLERANCES (UNLESS SPECIFIED)	EC NO: 675763			
	ANGULAR TOL $\pm 2.0^\circ$	4 PLACES $\pm$	DRWN: WANGR2	2021/08/26		
	3 PLACES $\pm$	2 PLACES $\pm$	CHK'D: MYLU07	2021/08/30		
	1 PLACE $\pm$	0 PLACES $\pm$	APPR: LCHEN03	2021/08/30		
DRAFT WHERE APPLICABLE MUST REMAIN WITHIN DIMENSIONS	THIRD ANGLE PROJECTION	DRAWING	SERIES	MATERIAL NUMBER	CUSTOMER	SHEET NUMBER
		<b>C-SIZE</b>	<b>73230</b>	<b>732305260</b>	<b>GENERAL MARKET</b>	<b>1 OF 1</b>

<b>molex</b>			
CA BNC PLUG STR TO BNC PLUG STR WITH RG316 CABLE, EWR#14546-A			
PRODUCT CUSTOMER DRAWING			
DOCUMENT NUMBER	DOC TYPE	DOC PART	REVISION
<b>732305260</b>	PSD	000	<b>A</b>