

PING))) Protector Stand (#725-28015)

The PING))) Protector Stand is a precision machined mounting bracket cut from 1/4 inch thick high-grade aluminum. With easy installation this stand can gracefully attach your PING))) Ultrasonic Distance Sensor to your robot and protect the sensor from most collisions. Note: PING))) Ultrasonic Distance Sensor (#28015) not included.



Features

- Designed to protect your PING))) Ultrasonic Distance Sensor from damage
- Custom CNC-machined from 6061 high-grade aluminum at Parallax headquarters in Rocklin, CA.
- Aperture and plastic light pipe included to allow for visual check of sensor function while mounted to stand.
- Two 6-32 (0.144 inch Dia.) un-threaded mounting holes
- Dimensions: 1.95 in x 2.20 in x 0.25 in (11.43 mm x 55.88 mm x 6.35 mm)

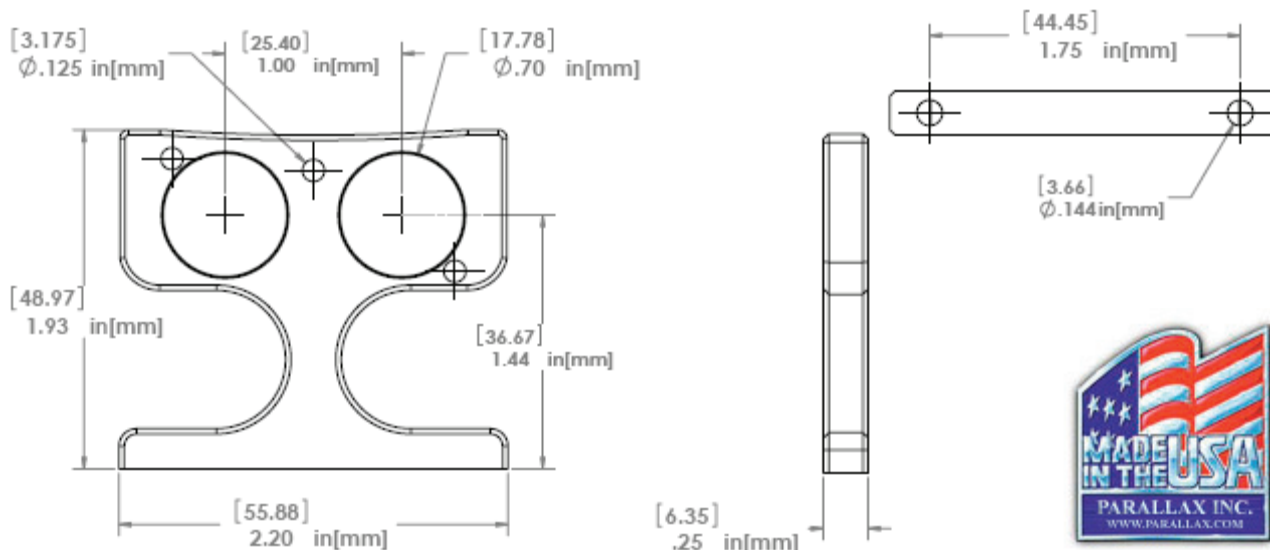
Bill of Materials

- (2) Philips pan-head screws, 4-40, 1/2" (#710-00006)
- (2) Nylon washers, size #4 (#700-00015)
- (2) Nylon spacers, round, #4, 1/4" (#713-00005)
- Plastic light pipe (#720-28001)
- Aluminum Protector Stand (#720-28002)

Tools Required

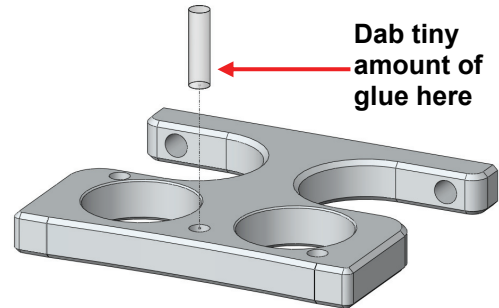
- #1 Philips-head screwdriver
- (2) 6-32 screws for mounting to your platform
- glue (such as Elmer's)
- Masking or electrical tape (optional)

Dimensional Drawings

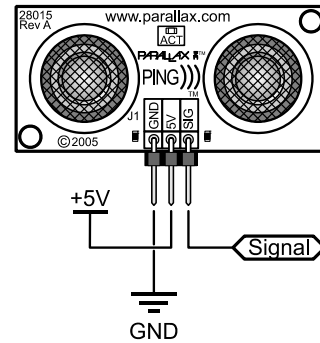


Step 1: Place stand on a flat surface with tapped holes facing up. Place a tiny dab of glue on the side (not the flat end) of the light pipe, about a quarter of the way up from the end. Insert light pipe into the hole so that its end is flush with the stand front. The light pipe will project a little less than 1/4" from the back of the stand.

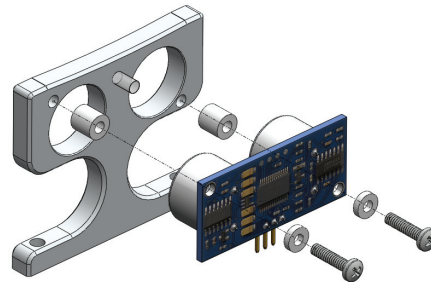
Note: at this point, you may wish to cover the sides of the exposed portion of the light pipe with tape to further direct the LEDs light.



Step 2: Make a note of the PING))) sensor pin connections labeled on the front of the PCB. They will not be visible once the sensor is installed into the stand.



Step 3: Install the PING))) sensor as shown using (2) nylon spacers, (2) 1/2" screws, and (2) nylon washers (included).



Step 4: Mount the PING))) Protector Stand and Sensor to your robot. Two holes in the base of the stand are drilled to accommodate size 6-32 screws (not included).

