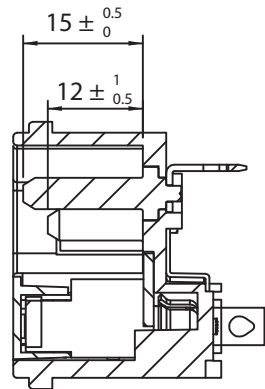
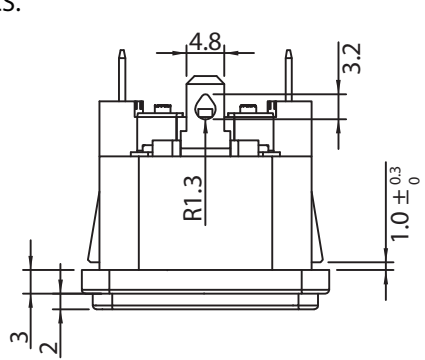
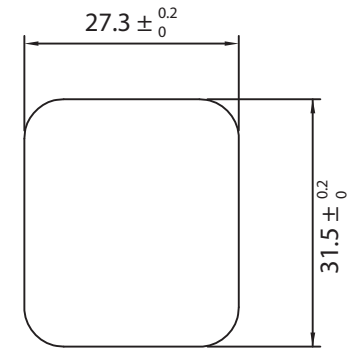


THESE DRAWINGS ARE THE PROPERTY OF QUALTEK ELECTRONICS AND NOT TO BE REPRODUCED FOR OR COMMUNICATED TO A THIRD PARTY WITHOUT THE EXPRESS WRITTEN PERMISSION OF AN OFFICER OF QUALTEK ELECTRONICS.

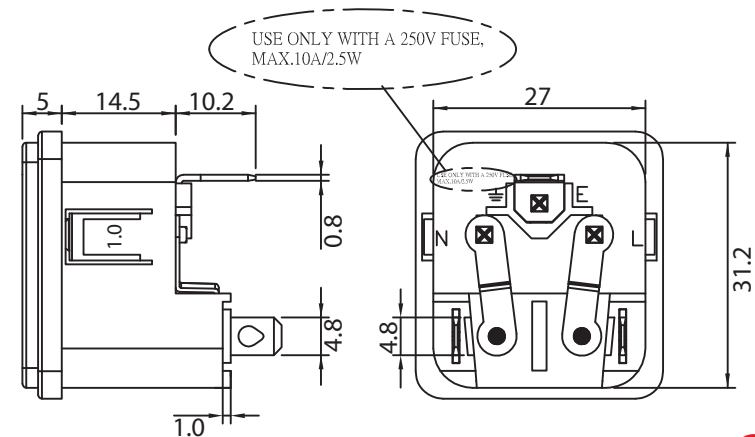
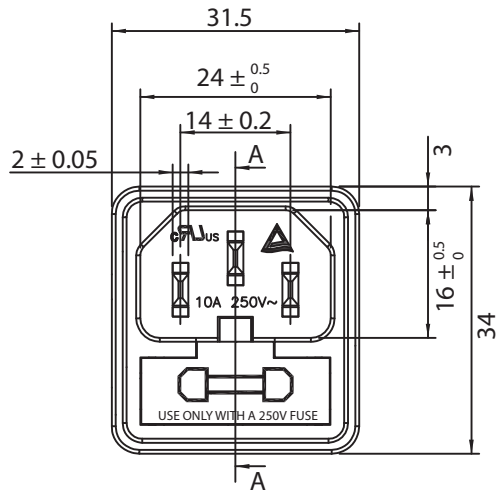
REVISION			
REV.	DESCRIPTION	DATE	APPROVED



A-A



PANEL CUTOUT



CONTROLLED

NOTES:

RATING: 10A 250V AC
 APPROVALS: UL, cUL, TUV
 DUAL FUSEHOLDER
 FUSES NOT INCLUDED - RECOMMENDED SIZE: 5 X 20MM
 PANEL THICKNESS: 1.0mm
 RoHS COMPLIANT

Dim range (mm)	Tolerance +/- (mm)	Qualtek Electronics Corp. PPC DIVISION		
		Part Number: 723WA-10/48		RoHS Compliant
Description: AC RECEPTACLE		UNIT: mm		
0-1	0.30	Drawn / Date	Checked / Date	Approved / Date
1-6	0.40	R. Nuti 11-29-11	11-29-11	LY / 11-29-11
6-18	0.45			
18-50	0.50			
50-120	0.70			
120-250	0.90			
250-500	1.20			