

Low Voltage, Dual DPDT and Quad SPDT Analog Switches

DESCRIPTION

The DG2018 and DG2019 are low voltage, single supply analog switches. The DG2018 is a dual double-pole/double-throw (DPDT) with two control inputs that each controls a pair of single-pole/double-throw (SPDT). The DG2019 uses one control pin to operate four independent SPDT switches.

When operated on a + 3 V supply, the DG2018's control pins are compatible with 1.8 V digital logic. The DG2019 has an available feature of a V_L pin that allows a 1.0 V threshold for the control pin when V_L is powered with 1.5 V.

Built on Vishay Siliconix's low voltage submicron CMOS process, the DG2018 and DG2019 are ideal for high performance switching of analog signals; providing low on-resistance (6Ω at + 2.7 V), fast speed (T_{on} , T_{off} at 42 ns and 16 ns), and a bandwidth that exceeds 180 MHz.

The DG2018 and DG2019 were designed to offer solutions that extend beyond audio/video functions, to providing the performance required for today's demanding mixed-signal switching in portable applications.

An epitaxial layer prevents latch-up. Brake-before-make is guaranteed for all SPDT's. All switches conduct equally well in both directions when on, and blocks up to the power supply level when off.

FEATURES

- Low voltage operation (1.8 V to 5.5 V)
- Low on resistance
 - $R_{DS(on)}$: 6Ω at 2.7 V
- Low voltage logic compatible
 - DG2019: $V_{INH} = 1 V$
- High bandwidth: 180 MHz
- QFN-16 package

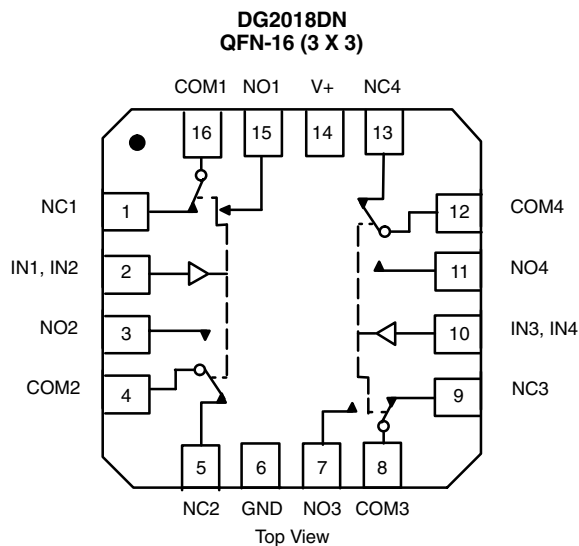
BENEFITS

- Ideal for both analog and digital signal switching
- Reduced power consumption
- High accuracy
- Reduced PCB space
- Fast switching
- Low leakage

APPLICATIONS

- Cellular phones
- Audio and video signal routing
- PCMCIA cards
- Battery operated systems
- Portable instrumentation

FUNCTIONAL BLOCK DIAGRAM AND PIN CONFIGURATION



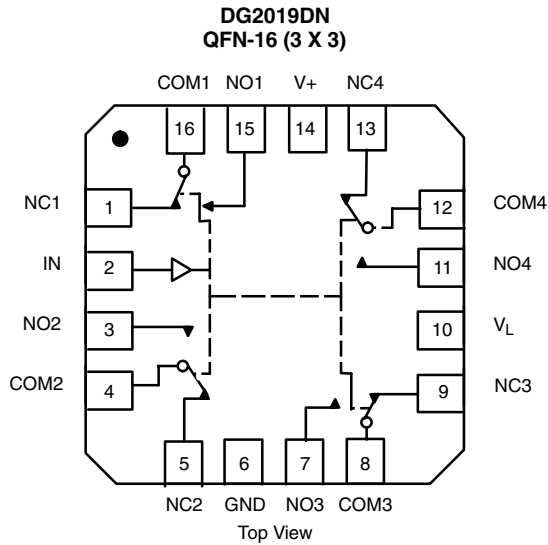
TRUTH TABLE

IN1, IN2		
Logic	NC1 and NC2	NO1 and NO2
0	ON	OFF
1	OFF	ON
IN3, IN4		
Logic	NC3 and NC4	NO3 and NO4
0	ON	OFF
1	OFF	ON

ORDERING INFORMATION

Temp. Range	Package	Part Number
- 40 °C to 85 °C	QFN-16 (3 x 3 mm)	DG2018DN

FUNCTIONAL BLOCK DIAGRAM AND PIN CONFIGURATION



TRUTH TABLE		
Logic	NC1, 2, 3 and 4	NO1, 2, 3 and 4
0	ON	OFF
1	OFF	ON

ORDERING INFORMATION		
Temp. Range	Package	Part Number
- 40 °C to 85 °C	QFN-16 (3 x 3 mm)	DG2019DN

ABSOLUTE MAXIMUM RATINGS			
Parameter		Limit	Unit
Reference V+ to GND		- 0.3 to + 6	V
IN, COM, NC, NO		- 0.3 to (V+ + 0.3)	
Continuous Current (Any terminal)		± 50	mA
Peak Current (Pulsed at 1 ms, 10 % Duty Cycle)		± 100	
Storage Temperature (D Suffix)		- 65 to 150	°C
Power Dissipation (Packages) ^b	QFN-16 (3 x 3 mm) ^c	850	mW

Notes:

- a. Signals on NC, NO, or COM or IN exceeding V+ will be clamped by internal diodes. Limit forward diode current to maximum current ratings.
- b. All leads welded or soldered to PC board.
- c. Derate 4.0 mW/°C above 70 °C.



SPECIFICATIONS $V_+ = 3\text{ V}$							
Parameter	Symbol	Test Conditions Otherwise Unless Specified $V_+ = 3\text{ V}, \pm 10\%$, (DG2018 Only) $V_{IN} = 0.5$ or 1.4 V^e (DG2019 Only) $V_L = 1.5\text{ V}, V_{IN} = 0.4$ or 1.0 V^e	Temp. ^a	Limits - 40 °C to 85 °C			Unit
				Min. ^b	Typ. ^c	Max. ^b	
Analog Switch							
Analog Signal Range ^d	V_{NO}, V_{NC}, V_{COM}		Full	0		V_+	V
On-Resistance	R_{ON}	$V_+ = 2.7\text{ V}, V_{COM} = 0.2\text{ V}/1.5\text{ V}$ $I_{NO}, I_{NC} = 10\text{ mA}$	Room Full		6	12 15	Ω
R_{ON} Flatness	R_{ON} Flatness	$V_+ = 2.7\text{ V}$ $V_{COM} = 0$ to $V_+, I_{NO}, I_{NC} = 10\text{ mA}$	Room		0.5	2	
R_{ON} Match Between Channels	ΔR_{ON}		Room		0.6	3	
Switch Off Leakage Current	$I_{NO(off)}$ $I_{NC(off)}$	$V_+ = 3.3\text{ V}, V_{NO}, V_{NC} = 0.3\text{ V}/3\text{ V}$ $V_{COM} = 3\text{ V}/0.3\text{ V}$	Room Full	- 1 - 10	0.3	1 10	nA
	$I_{COM(off)}$		Room Full	- 1 - 10	0.3	1 10	
Channel-On Leakage Current	$I_{COM(on)}$	$V_+ = 3.3\text{ V}, V_{NO}, V_{NC} = V_{COM} = 0.3\text{ V}/3\text{ V}$	Room Full	- 1 10	0.3	1 10	
Digital Control							
Input High Voltage	V_{INH}		DG2018	Full	1.4		V
		$V_L = 1.5\text{ V}$	DG2019	Full	1.0		
Input Low Voltage	V_{INL}		DG2018	Full		0.5	
		$V_L = 1.5\text{ V}$	DG2019	Full		0.4	
Input Capacitance	C_{in}	$f = 1\text{ MHz}$	Full		9		pF
Input Current	I_{INL} or I_{INH}	$V_{IN} = 0$ or V_+	Full	- 1		1	μA
Dynamic Characteristics							
Turn-On Time	t_{ON}	V_{NO} or $V_{NC} = 2.0\text{ V}, R_L = 300\ \Omega, C_L = 35\text{ pF}$	Room Full		42	55 65	ns
Turn-Off Time	t_{OFF}		Room Full		16	25 35	
Break-Before-Make Time	t_d	V_{NO} or $V_{NC} = 2.0\text{ V}, R_L = 50\ \Omega, C_L = 35\text{ pF}$	Full	1			
Charge Injection ^d	Q_{INJ}	$C_L = 1\text{ nF}, V_{GEN} = 0\text{ V}, R_{GEN} = 0\ \Omega$	Room		- 1.46		pC
Off-Isolation ^d	OIRR	$R_L = 50\ \Omega, C_L = 5\text{ pF}, f = 1\text{ MHz}$	Room		- 67		dB
Crosstalk ^d	X_{TALK}		Room		- 72		
Bandwidth ^d	BW		Room		180		MHz
N_O, N_C Off Capacitance ^d	$C_{NO(off)}$	$V_{IN} = 0$ or $V_+, f = 1\text{ MHz}$	Room		9		pF
	$C_{NC(off)}$		Room		9		
Channel-On Capacitance ^d	$C_{NO(on)}$		Room		30		
	$C_{NC(on)}$		Room		30		
Power Supply							
Power Supply Current	I_+	$V_{IN} = 0$ or V_+	Full		0.01	1.0	μA

Notes:

- a. Room = 25 °C, Full = as determined by the operating suffix.
- b. Typical values are for design aid only, not guaranteed nor subject to production testing.
- c. The algebraic convention whereby the most negative value is a minimum and the most positive a maximum, is used in this data sheet.
- d. Guarantee by design, nor subjected to production test.
- e. V_{IN} = input voltage to perform proper function.

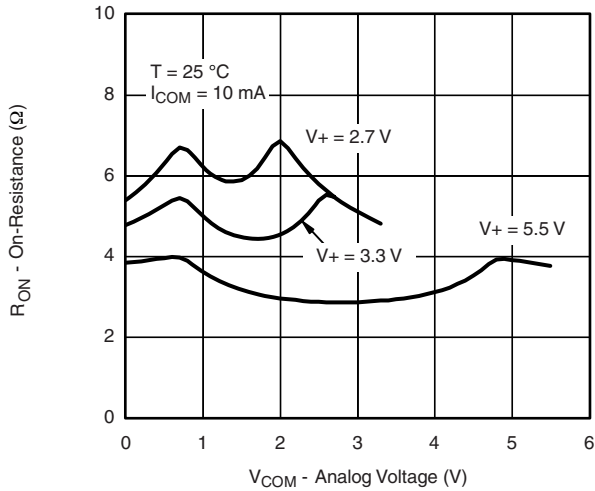
SPECIFICATIONS $V_+ = 5\text{ V}$							
Parameter	Symbol	Test Conditions Otherwise Unless Specified $V_+ = 5\text{ V}, \pm 10\%$, (DG2018 Only) $V_{IN} = 0.8$ or 1.8 V^e (DG2019 Only) $V_L = 1.5\text{ V}, V_{IN} = 0.4$ or 1.0 V^e	Temp. ^a	Limits - 40 °C to 85 °C			Unit
				Min. ^b	Typ. ^c	Max. ^b	
Analog Switch							
Analog Signal Range ^d	V_{NO}, V_{NC}, V_{COM}		Full	0		V_+	V
On-Resistance	R_{ON}	$V_+ = 4.5\text{ V}, V_{COM} = 3\text{ V}, I_{NO}, I_{NC} = 10\text{ mA}$	Room Full		4	8 10	Ω
R_{ON} Flatness	R_{ON} Flatness	$V_+ = 4.5\text{ V}$ $V_{COM} = 0$ to $V_+, I_{NO}, I_{NC} = 10\text{ mA}$	Room		0.6	1.2	
R_{ON} Match Between Channels	ΔR_{ON}		Room		0.6	1.2	
Switch Off Leakage Current ^f	$I_{NO(off)}$ $I_{NC(off)}$	$V_+ = 5.5\text{ V}$ $V_{NO}, V_{NC} = 1\text{ V}/4.5\text{ V}, V_{COM} = 4.5\text{ V}/1\text{ V}$	Room Full	- 1 - 10	0.03	1 10	nA
	$I_{COM(off)}$		Room Full	- 1 - 10	0.03	1 10	
Channel-On Leakage Current ^f	$I_{COM(on)}$	$V_+ = 5.5\text{ V}, V_{NO}, V_{NC} = V_{COM} = 1\text{ V}/4.5\text{ V}$	Room Full	- 1 - 10	0.03	1 10	
Digital Control							
Input High Voltage	V_{INH}		DG2018	Full	1.8		V
		$V_L = 1.5\text{ V}$	DG2019	Full	1.0		
Input Low Voltage	V_{INL}		DG2018	Full		0.8	
		$V_L = 1.5\text{ V}$	DG2019	Full		0.4	
Input Capacitance	C_{in}		Full		9		pF
Input Current	I_{INL} or I_{INH}	$V_{IN} = 0$ or V_+	Full	1		1	μA
Dynamic Characteristics							
Turn-On Time	t_{ON}	V_{NO} or $V_{NC} = 3\text{ V}, R_L = 300\ \Omega, C_L = 35\text{ pF}$	Room Full		44	48 52	ns
Turn-Off Time	t_{OFF}		Room Full		19	33 35	
Break-Before-Make Time	t_d	V_{NO} or $V_{NC} = 3\text{ V}, R_L = 50\ \Omega, C_L = 35\text{ pF}$	Full	1			
Charge Injection ^d	Q_{INJ}	$C_L = 1\text{ nF}, V_{GEN} = 0\text{ V}, R_{GEN} = 0\ \Omega$	Room		- 2.46		pC
Off-Isolation ^d	OIRR	$R_L = 50\ \Omega, C_L = 5\text{ pF}, f = 1\text{ MHz}$	Room		- 67		dB
Crosstalk ^d	X_{TALK}		Room		- 72		
Bandwidth ^d	BW		Room		180		
Source-Off Capacitance ^d	$C_{NO(off)}$	$V_{IN} = 0$ or $V_+, f = 1\text{ MHz}$	Room		7.5		pF
	$C_{NC(off)}$		Room		7.5		
Channel-On Capacitance ^d	$C_{NO(on)}$		Room		30		
	$C_{NC(on)}$		Room		30		
Power Supply							
Power Supply Range	V_+			1.8		5.5	V
Power Supply Current	I_+	$V_{IN} = 0$ or V_+	Full		0.01	1.0	μA

Notes:

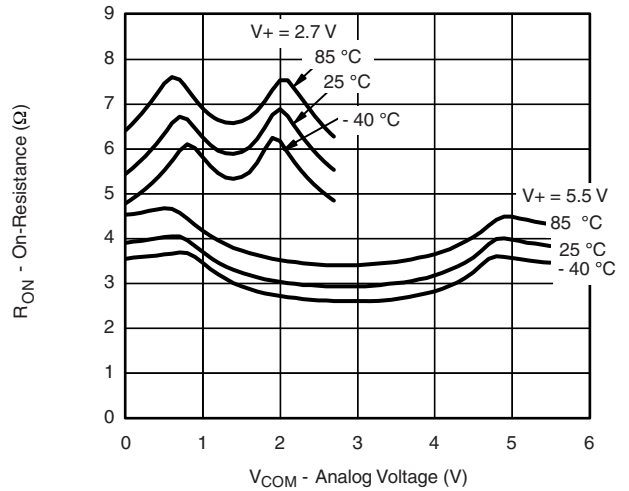
- a. Room = 25 °C, Full = as determined by the operating suffix.
- b. Typical values are for design aid only, not guaranteed nor subject to production testing.
- c. The algebraic convention whereby the most negative value is a minimum and the most positive a maximum, is used in this data sheet.
- d. Guarantee by design, nor subjected to production test.
- e. V_{IN} = input voltage to perform proper function.
- f. Not production tested.

Stresses beyond those listed under "Absolute Maximum Ratings" may cause permanent damage to the device. These are stress ratings only, and functional operation of the device at these or any other conditions beyond those indicated in the operational sections of the specifications is not implied. Exposure to absolute maximum rating conditions for extended periods may affect device reliability.

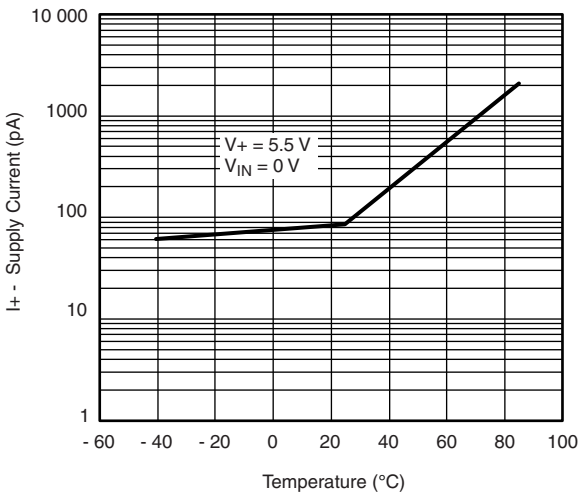
TYPICAL CHARACTERISTICS 25 °C, unless otherwise noted



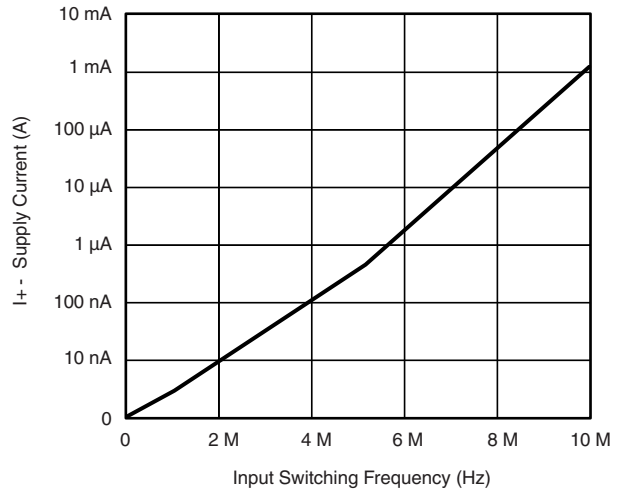
RON vs. VCOM and Supply Voltage



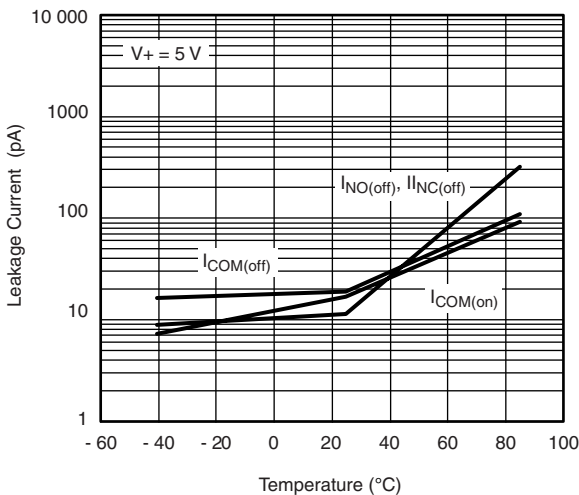
RON vs. Analog Voltage and Temperature



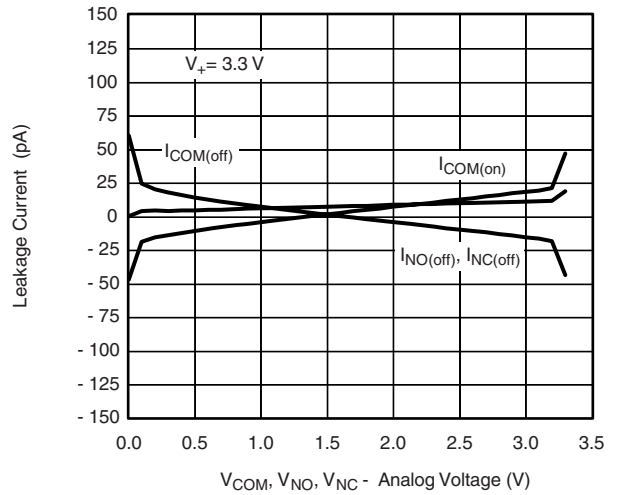
Supply Current vs. Temperature



Supply Current vs. Input Switching Frequency



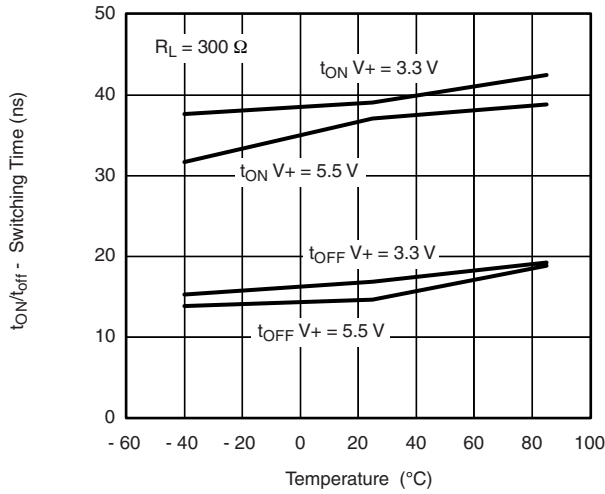
Leakage Current vs. Temperature



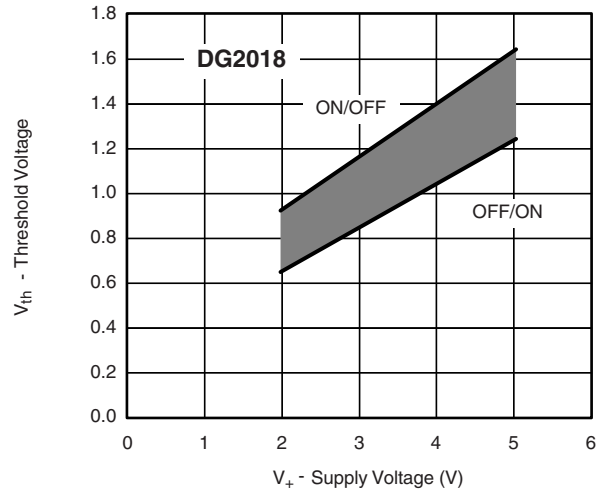
Leakage vs. Analog Voltage



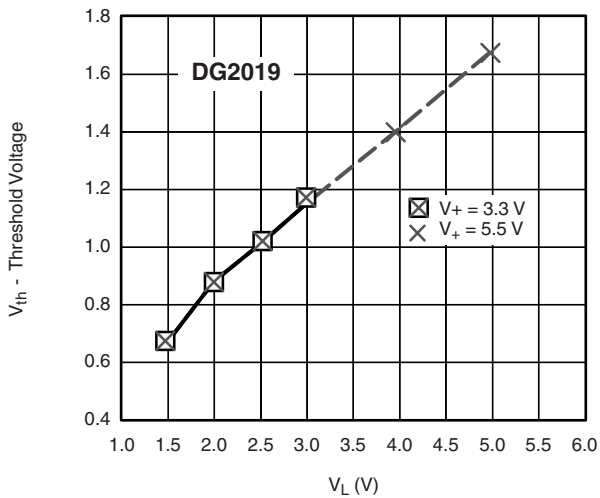
TYPICAL CHARACTERISTICS 25 °C, unless otherwise noted



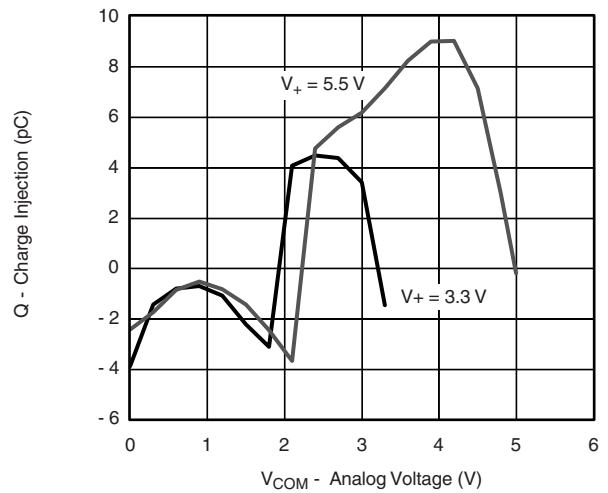
Switching Time vs. Temperature and Supply Voltage



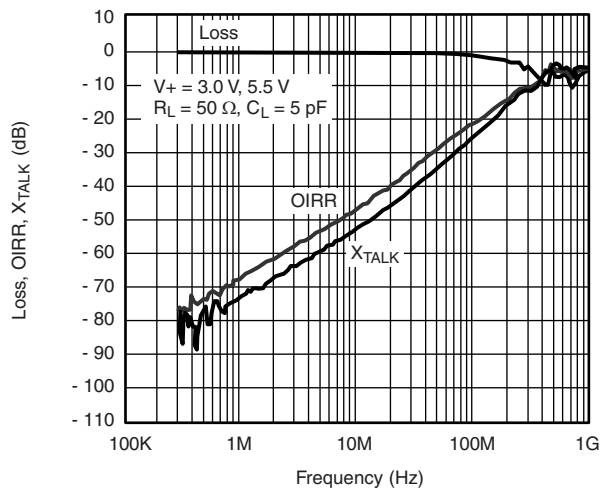
Switching Voltage vs. Supply Voltage (V_+)



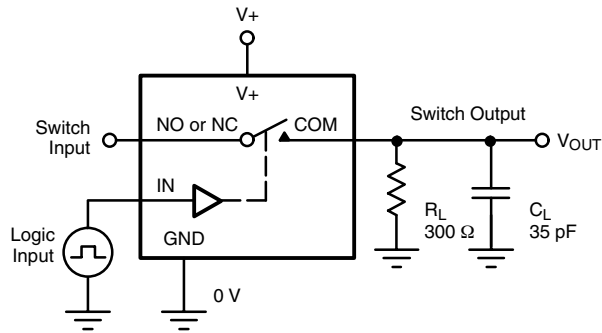
V_{IN} vs. V_L (Typ)



Charge Injection at Source vs. Analog Voltage

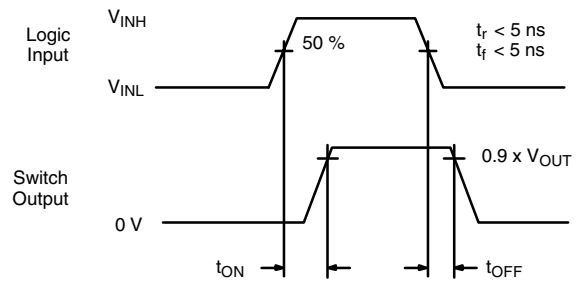


Insertion Loss, Off Isolation and Crosstalk vs. Frequency

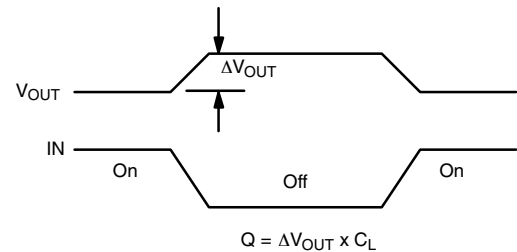
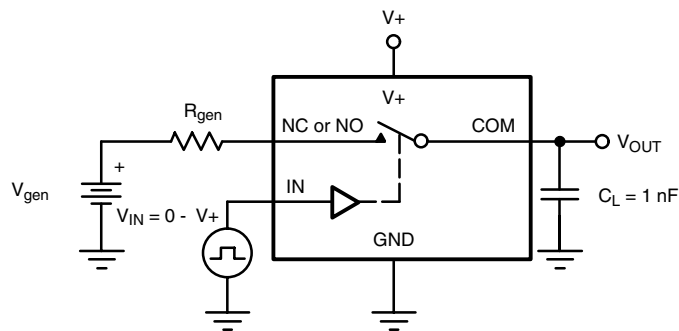
TEST CIRCUITS


C_L (includes fixture and stray capacitance)

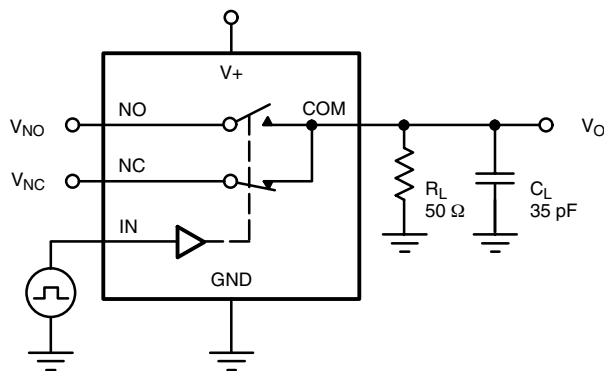
$$V_{OUT} = V_{COM} \left(\frac{R_L}{R_L + R_{ON}} \right)$$



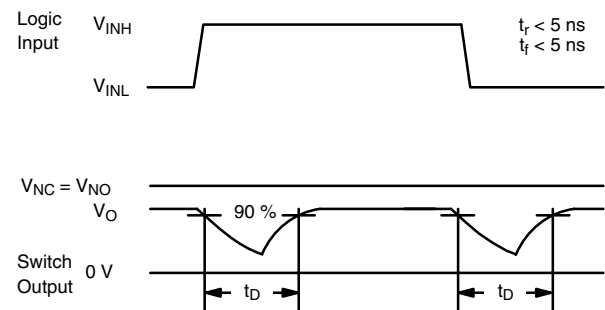
Logic "1" = Switch On
 Logic input waveforms inverted for switches that have the opposite logic sense.

Figure 1. Switching Time


IN depends on switch configuration: input polarity determined by sense of switch.

Figure 2. Charge Injection


C_L (includes fixture and stray capacitance)


Figure 3. Break-Before-Make Interval

TEST CIRCUITS

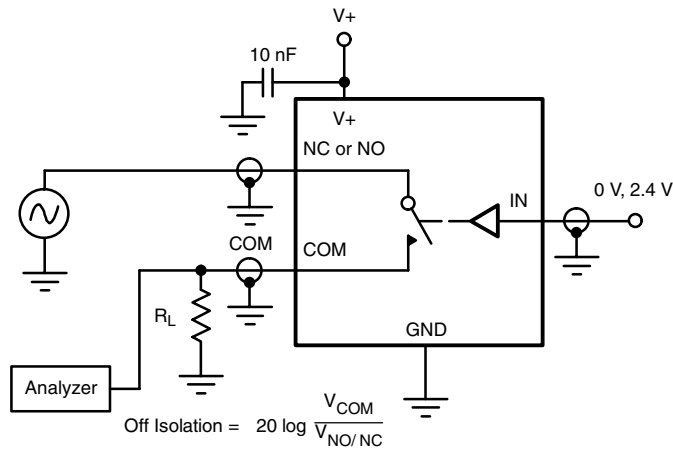


Figure 4. Off-Isolation

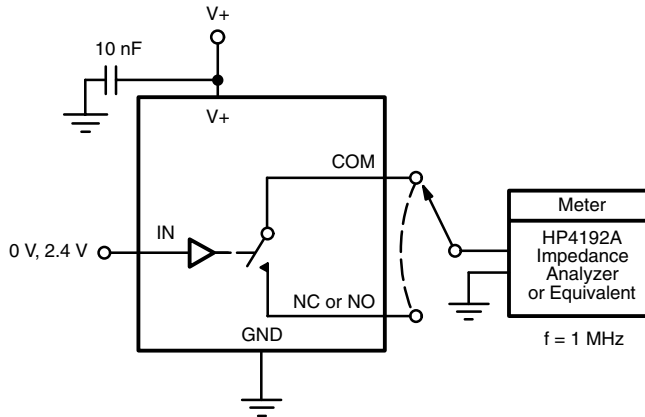
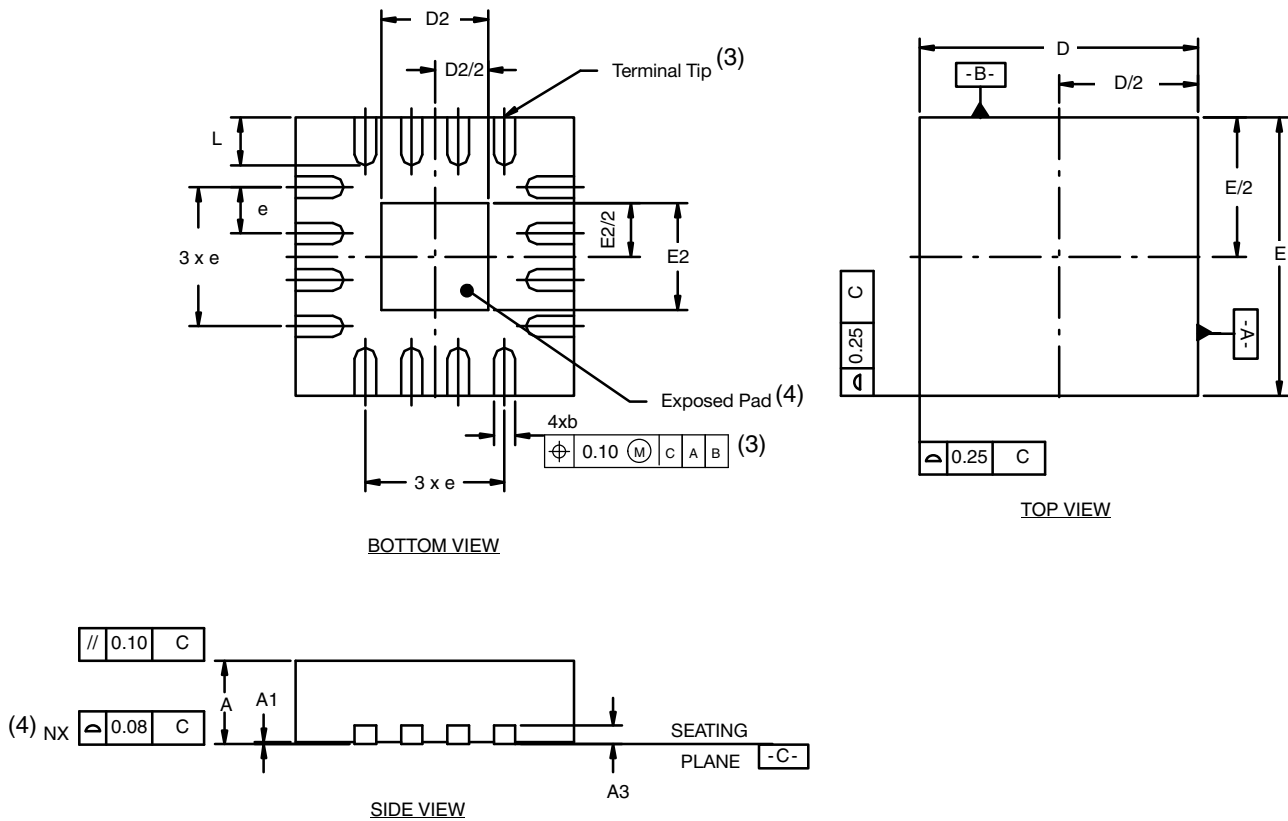


Figure 5. Channel Off/On Capacitance

Vishay Siliconix maintains worldwide manufacturing capability. Products may be manufactured at one of several qualified locations. Reliability data for Silicon Technology and Package Reliability represent a composite of all qualified locations. For related documents such as package/tape drawings, part marking, and reliability data, see <http://www.vishay.com/ppg?72342>.

QFN-16 Lead (3 x 3)



Notes

- (1) All dimensions are in millimeters.
- (2) N is the total number of terminals.
- (3) Dimension b applies to metallized terminal and is measured between 0.25 and 0.30 mm from terminal tip.
- (4) Coplanarity applies to the exposed heat sink slug as well as the terminal.
- (5) The pin #1 identifier may be either a mold or marked feature, it must be located within the zone indicated.

DIM.	VARIATION 1						VARIATION 2					
	MILLIMETERS			INCHES			MILLIMETERS			INCHES		
	MIN.	NOM	MAX.	MIN.	NOM	MAX.	MIN.	NOM	MAX.	MIN.	NOM	MAX.
A	0.80	0.90	1.00	0.031	0.035	0.039	0.80	0.90	1.00	0.031	0.035	0.039
b	0.18	0.23	0.30	0.007	0.009	0.012	0.18	0.25	0.30	0.007	0.010	0.012
D	2.90	3.00	3.10	0.114	0.118	0.122	2.90	3.00	3.10	0.114	0.118	0.122
D2	1.00	1.15	1.25	0.039	0.045	0.049	1.50	1.70	1.80	0.059	0.067	0.071
E	2.90	3.00	3.10	0.114	0.118	0.122	2.90	3.00	3.10	0.114	0.118	0.122
E2	1.00	1.15	1.25	0.039	0.045	0.049	1.50	1.70	1.80	0.059	0.067	0.071
e	0.50 BSC			0.020 BSC			0.50 BSC			0.020 BSC		
L	0.30	0.40	0.50	0.012	0.016	0.020	0.30	0.40	0.50	0.012	0.016	0.020
ECN: T16-0233-Rev. D, 09-May-16												
DWG: 5899												



Disclaimer

ALL PRODUCT, PRODUCT SPECIFICATIONS AND DATA ARE SUBJECT TO CHANGE WITHOUT NOTICE TO IMPROVE RELIABILITY, FUNCTION OR DESIGN OR OTHERWISE.

Vishay Intertechnology, Inc., its affiliates, agents, and employees, and all persons acting on its or their behalf (collectively, "Vishay"), disclaim any and all liability for any errors, inaccuracies or incompleteness contained in any datasheet or in any other disclosure relating to any product.

Vishay makes no warranty, representation or guarantee regarding the suitability of the products for any particular purpose or the continuing production of any product. To the maximum extent permitted by applicable law, Vishay disclaims (i) any and all liability arising out of the application or use of any product, (ii) any and all liability, including without limitation special, consequential or incidental damages, and (iii) any and all implied warranties, including warranties of fitness for particular purpose, non-infringement and merchantability.

Statements regarding the suitability of products for certain types of applications are based on Vishay's knowledge of typical requirements that are often placed on Vishay products in generic applications. Such statements are not binding statements about the suitability of products for a particular application. It is the customer's responsibility to validate that a particular product with the properties described in the product specification is suitable for use in a particular application. Parameters provided in datasheets and / or specifications may vary in different applications and performance may vary over time. All operating parameters, including typical parameters, must be validated for each customer application by the customer's technical experts. Product specifications do not expand or otherwise modify Vishay's terms and conditions of purchase, including but not limited to the warranty expressed therein.

Hyperlinks included in this datasheet may direct users to third-party websites. These links are provided as a convenience and for informational purposes only. Inclusion of these hyperlinks does not constitute an endorsement or an approval by Vishay of any of the products, services or opinions of the corporation, organization or individual associated with the third-party website. Vishay disclaims any and all liability and bears no responsibility for the accuracy, legality or content of the third-party website or for that of subsequent links.

Except as expressly indicated in writing, Vishay products are not designed for use in medical, life-saving, or life-sustaining applications or for any other application in which the failure of the Vishay product could result in personal injury or death. Customers using or selling Vishay products not expressly indicated for use in such applications do so at their own risk. Please contact authorized Vishay personnel to obtain written terms and conditions regarding products designed for such applications.

No license, express or implied, by estoppel or otherwise, to any intellectual property rights is granted by this document or by any conduct of Vishay. Product names and markings noted herein may be trademarks of their respective owners.