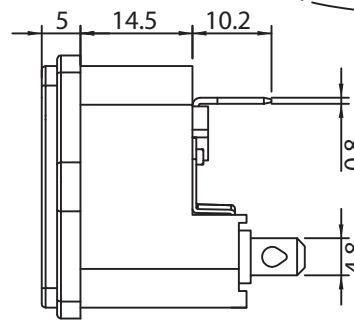
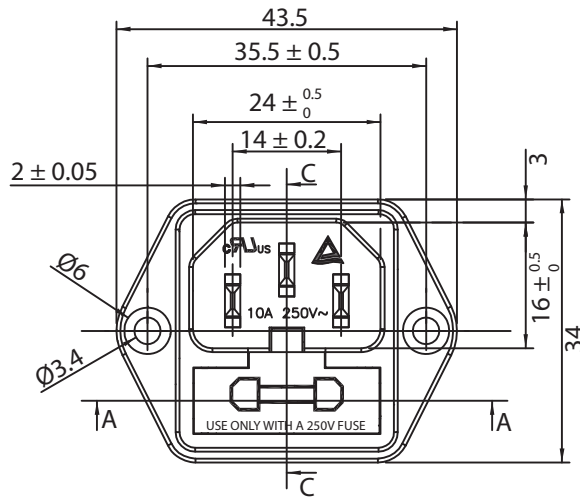
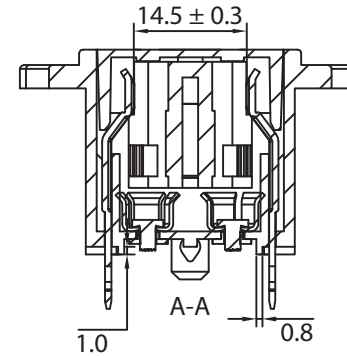
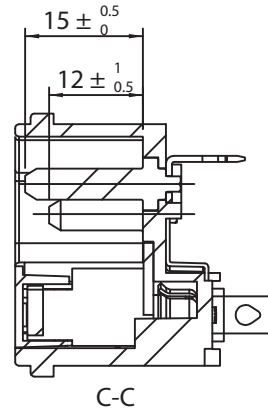
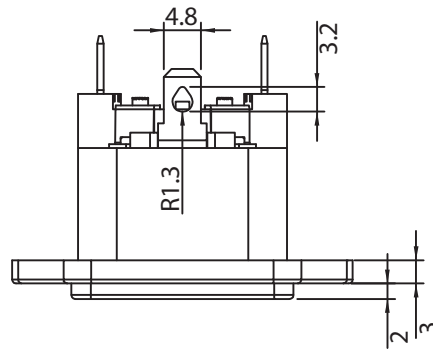
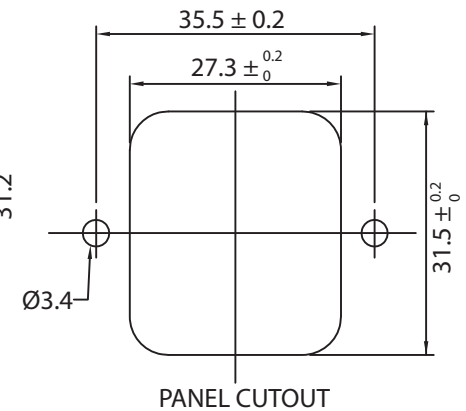
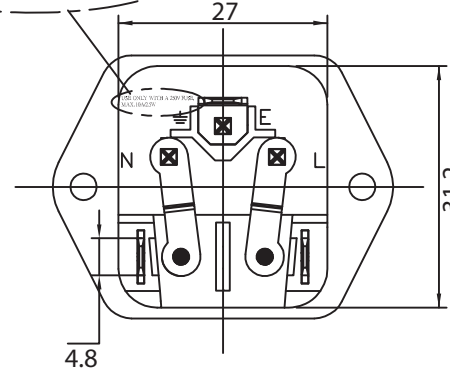


THESE DRAWINGS ARE THE PROPERTY OF QUALTEK ELECTRONICS AND NOT TO BE REPRODUCED FOR OR COMMUNICATED TO A THIRD PARTY WITHOUT THE EXPRESS WRITTEN PERMISSION OF AN OFFICER OF QUALTEK ELECTRONICS.

| REVISION |             |      |          |
|----------|-------------|------|----------|
| REV.     | DESCRIPTION | DATE | APPROVED |
|          |             |      |          |
|          |             |      |          |



USE ONLY WITH A 250V FUSE, MAX. 10A/2.5W



**CONTROLLED**

NOTES:

RATING: 10A 250V AC  
 APPROVALS: UL, cUL, TUV  
 DUAL FUSEHOLDER  
 FUSES NOT INCLUDED - RECOMMENDED SIZE: 5 X 20MM  
 RoHS COMPLIANT

| Dim range (mm) | Tolerance +/- (mm) | Qualtek Electronics Corp.<br>PPC DIVISION |                |                 |
|----------------|--------------------|---|----------------|-----------------|
|                |                    | Part Number: 719WA-00/48                  | RoHS Compliant |                 |
| 0-1            | 0.30               | Description: AC RECEPTACLE                |                |                 |
| 1-6            | 0.40               | UNIT: mm                                  |                |                 |
| 6-18           | 0.45               | Drawn / Date                              | Checked / Date | Approved / Date |
| 18-50          | 0.50               | R. Nuti                                   | 11-29-11       | LY / 11-29-11   |
| 50-120         | 0.70               |   |                |                 |
| 120-250        | 0.90               |   |                |                 |
| 250-500        | 1.20               |   |                |                 |