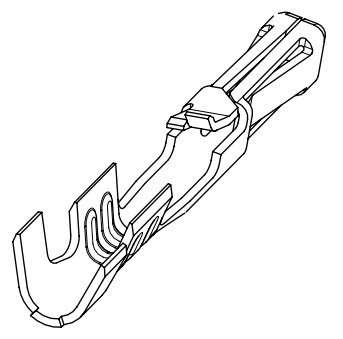


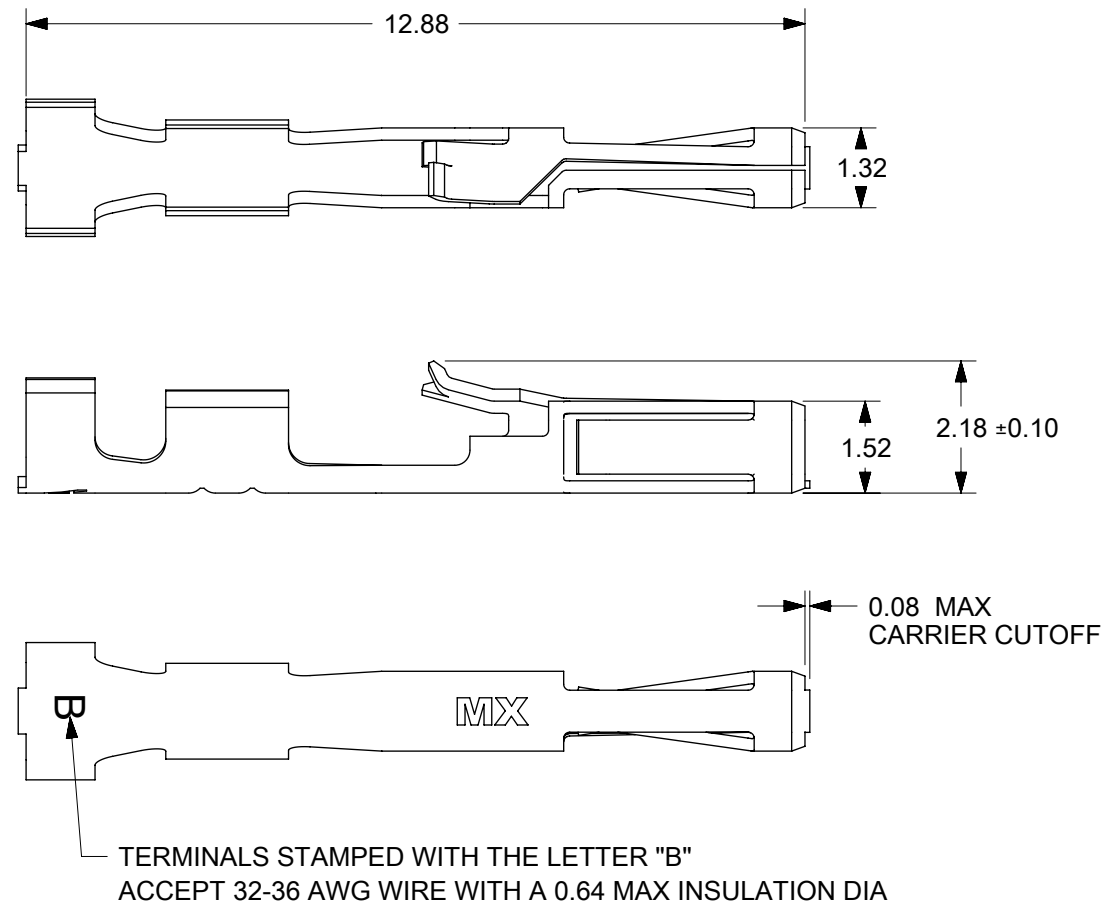
- NOTES:
1. MATERIAL: PHOSPHOR BRONZE
  2. PLATING:
    - 124 = SELECT BRIGHT TIN: 3.75 MICROMETERS MIN OVER NICKEL
    - 207 = SELECT HARD GOLD: 0.38 MICROMETERS MIN.  
SELECT TIN: 2.0 MICROMETERS MIN BOTH OVER NICKEL
    - 206 = SELECT HARD GOLD: 0.75 MICROMETERS MIN.  
SELECT TIN: 2.0 MICROMETERS MIN BOTH OVER NICKEL
    - P124 = PREPLATED OVERALL BRIGHT TIN: 3.75 MICROMETERS MIN OVER NICKEL  
(MAY HAVE UNPLATED EDGES)
  3. PRODUCT SPECIFICATION: TERMINALS CONFORM TO PS-70058 AND PS-70400 WHEN CRIMPED WITH MOLEX CRIMP TOOLS.
  4. COSMETIC SPECIFICATION: PS-45499-002 CLASS B
  5. TERMINAL FOR USE WITH HOUSING SERIES 70066 AND 70450
  6. WIRE SPECIFICATION: TERMINALS STAMPED WITH THE LETTER:
    - A = ACCEPTS 24-30 AWG STRANDED WIRE WITH A 1.52 MAX INSULATION DIA
    - B = ACCEPTS 32-36 AWG STRANDED WIRE WITH A 0.64 MAX INSULATION DIA.
    - C = ACCEPTS 22-24 AWG STRANDED WIRE WITH A 1.63 MAX INSULATION DIA

**TERMINALS ON THIS SHEET ARE FOR USE WITH 24-30 AWG WIRE. SEE SHEETS 2 AND 3 FOR OTHER WIRE SIZES**



MATERIAL NO:	PACKAGING	PLATING SEE NOTE 2	WIRE SIZE	MAX INSULATION DIA
70058-1069	REEL	124 SELECT TIN	24-30 AWG	1.52 DIA MAX
70058-1096	LOOSE			
70058-0082	REEL	207 0.38 GOLD		
70058-0097	LOOSE			
70058-0083	REEL	206 0.75 GOLD		
70058-0098	LOOSE			

THIS DRAWING CONTAINS INFORMATION THAT IS PROPRIETARY TO MOLEX ELECTRONIC TECHNOLOGIES, LLC AND SHOULD NOT BE USED WITHOUT WRITTEN PERMISSION									
DIMENSION UNITS	SCALE	CURRENT REV DESC: OBSOLETE PART NUMBER AS PER PCN#508517			<b>molex</b>				
mm	8:1								
GENERAL TOLERANCES (UNLESS SPECIFIED)		EC NO: 667105			SL CRIMP TERMINAL (24-30 AWG WIRE)				
ANGULAR TOL ± °		DRWN: SUGEEB 2021/05/27							
4 PLACES ±		CHK'D: GGA 2021/06/29			PRODUCT CUSTOMER DRAWING				
3 PLACES ±		APPR: GGA 2021/06/29							
2 PLACES ± 0.15		INITIAL REVISION:			DOCUMENT NUMBER				
1 PLACE ± 0.25		DRWN: KSAMIEC 2017/05/03							
0 PLACES ± 0.0		APPR: FSMITH 2017/06/16			700580000-SD PSD 000 B2				
DRAFT WHERE APPLICABLE MUST REMAIN WITHIN DIMENSIONS		THIRD ANGLE PROJECTION	DRAWING	SERIES					
			B-SIZE	70058	SEE TABLE		GENERAL MARKET		1 OF 4



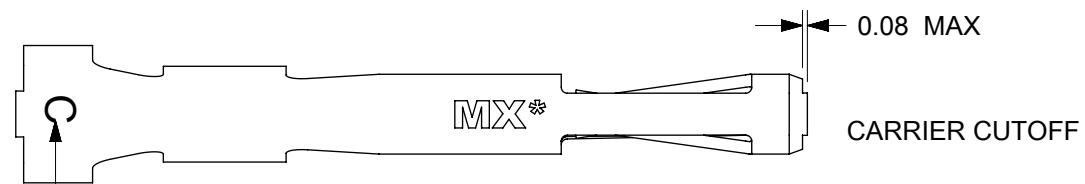
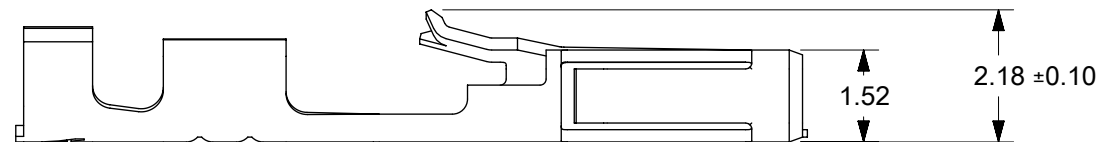
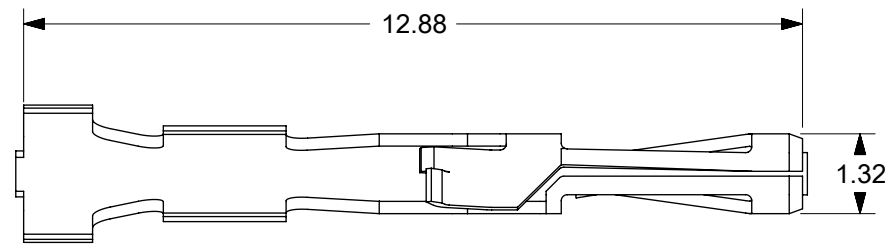
NOTES:

1. MATERIAL: PHOSPHOR BRONZE
2. PLATING:
  - 124 = SELECT BRIGHT TIN: 3.75 MICROMETERS MIN OVER NICKEL
  - 207 = SELECT HARD GOLD: 0.38 MICROMETERS MIN.  
SELECT TIN: 2.0 MICROMETERS MIN BOTH OVER NICKEL
  - 206 = SELECT HARD GOLD: 0.75 MICROMETERS MIN.  
SELECT TIN: 2.0 MICROMETERS MIN BOTH OVER NICKEL
  - P124 = PREPLATED OVERALL BRIGHT TIN: 3.75 MICROMETERS MIN OVER NICKEL  
(MAY HAVE UNPLATED EDGES)
3. PRODUCT SPECIFICATION: TERMINALS CONFORM TO PS-70058 AND PS-70400 WHEN CRIMPED WITH MOLEX CRIMP TOOLS.
4. COSMETIC SPECIFICATION: PS-45499-002 CLASS B
5. TERMINAL FOR USE WITH HOUSING SERIES 70066 AND 70450
6. WIRE SPECIFICATION: TERMINALS STAMPED WITH THE LETTER:
  - A = ACCEPTS 24-30 AWG STRANDED WIRE WITH A 1.52 MAX INSULATION DIA
  - B = ACCEPTS 32-36 AWG STRANDED WIRE WITH A 0.64 MAX INSULATION DIA.
  - C = ACCEPTS 22-24 AWG STRANDED WIRE WITH A 1.63 MAX INSULATION DIA

**TERMINALS ON THIS SHEET ARE FOR USE  
WITH 32-36 AWG WIRE.  
SEE SHEETS 1 AND 3 FOR OTHER WIRE SIZES**

MATERIAL NO:	PACKAGING	PLATING SEE NOTE 2	WIRE SIZE	MAX INSULATION DIA
70058-1084	REEL	124 SELECT TIN	32 - 36 AWG	0.64 DIA MAX
70058-1099	LOOSE			
70058-0074	REEL	207 0.38 GOLD		
70058-0100	LOOSE			
70058-0085	REEL	206 0.75 GOLD		
70058-0101	LOOSE			

THIS DRAWING CONTAINS INFORMATION THAT IS PROPRIETARY TO MOLEX ELECTRONIC TECHNOLOGIES, LLC AND SHOULD NOT BE USED WITHOUT WRITTEN PERMISSION										
DIMENSION UNITS	SCALE	CURRENT REV DESC: OBSOLETE PART NUMBER AS PER PCN#508517				<b>molex</b>				
mm	8:1									
GENERAL TOLERANCES (UNLESS SPECIFIED)		EC NO: 667105		2021/05/27		SL CRIMP TERMINAL (32-36 AWG WIRE)				
ANGULAR TOL ± °		DRWN: SUGEEB		2021/06/29						
4 PLACES ±		CHK'D: GGA		2021/06/29		PRODUCT CUSTOMER DRAWING				
3 PLACES ±		APPR: GGA		2021/06/29						
2 PLACES ± 0.15		INITIAL REVISION:		2017/05/03		DOCUMENT NUMBER		DOC TYPE	DOC PART	REVISION
1 PLACE ± 0.25		DRWN: KSAMIEC		2017/06/16		700580000-SD		PSD	000	B2
0 PLACES ± 0.0		APPR: FSMITH				MATERIAL NUMBER		CUSTOMER	SHEET NUMBER	
DRAFT WHERE APPLICABLE MUST REMAIN WITHIN DIMENSIONS		THIRD ANGLE PROJECTION	DRAWING	SERIES	MATERIAL NUMBER	CUSTOMER				
			B-SIZE	70058	SEE TABLE	GENERAL MARKET			2 OF 4	



TERMINALS STAMPED WITH THE LETTER "C"  
ACCEPT 22-24 AWG WIRE WITH A 1.63 MAX INSULATION DIA



NOTES:

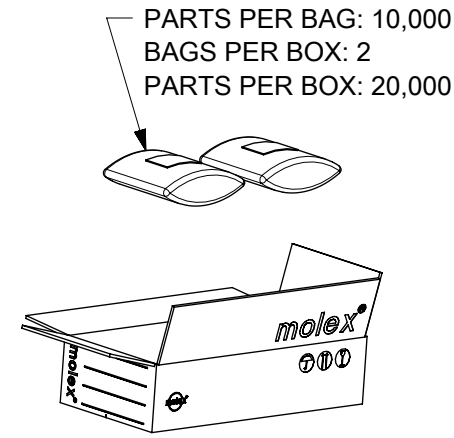
- MATERIAL: PHOSPHOR BRONZE
- PLATING:
  - 124 = SELECT BRIGHT TIN: 3.75 MICROMETERS MIN OVER NICKEL
  - 207 = SELECT HARD GOLD: 0.38 MICROMETERS MIN.  
SELECT TIN: 2.0 MICROMETERS MIN BOTH OVER NICKEL
  - 206 = SELECT HARD GOLD: 0.75 MICROMETERS MIN.  
SELECT TIN: 2.0 MICROMETERS MIN BOTH OVER NICKEL
  - P124 = PREPLATED OVERALL BRIGHT TIN: 3.75 MICROMETERS MIN OVER NICKEL  
(MAY HAVE UNPLATED EDGES)
- PRODUCT SPECIFICATION: TERMINALS CONFORM TO PS-70058 AND PS-70400 WHEN CRIMPED WITH MOLEX CRIMP TOOLS.
- COSMETIC SPECIFICATION: PS-45499-002 CLASS B
- TERMINAL FOR USE WITH HOUSING SERIES 70066 AND 70450
- WIRE SPECIFICATION: TERMINALS STAMPED WITH THE LETTER:
  - A = ACCEPTS 24-30 AWG STRANDED WIRE WITH A 1.52 MAX INSULATION DIA
  - B = ACCEPTS 32-36 AWG STRANDED WIRE WITH A 0.64 MAX INSULATION DIA.
  - C = ACCEPTS 22-24 AWG STRANDED WIRE WITH A 1.63 MAX INSULATION DIA

TERMINALS ON THIS SHEET ARE FOR USE  
WITH 22-24 AWG WIRE.  
SEE SHEETS 1 AND 2 FOR OTHER WIRE SIZES

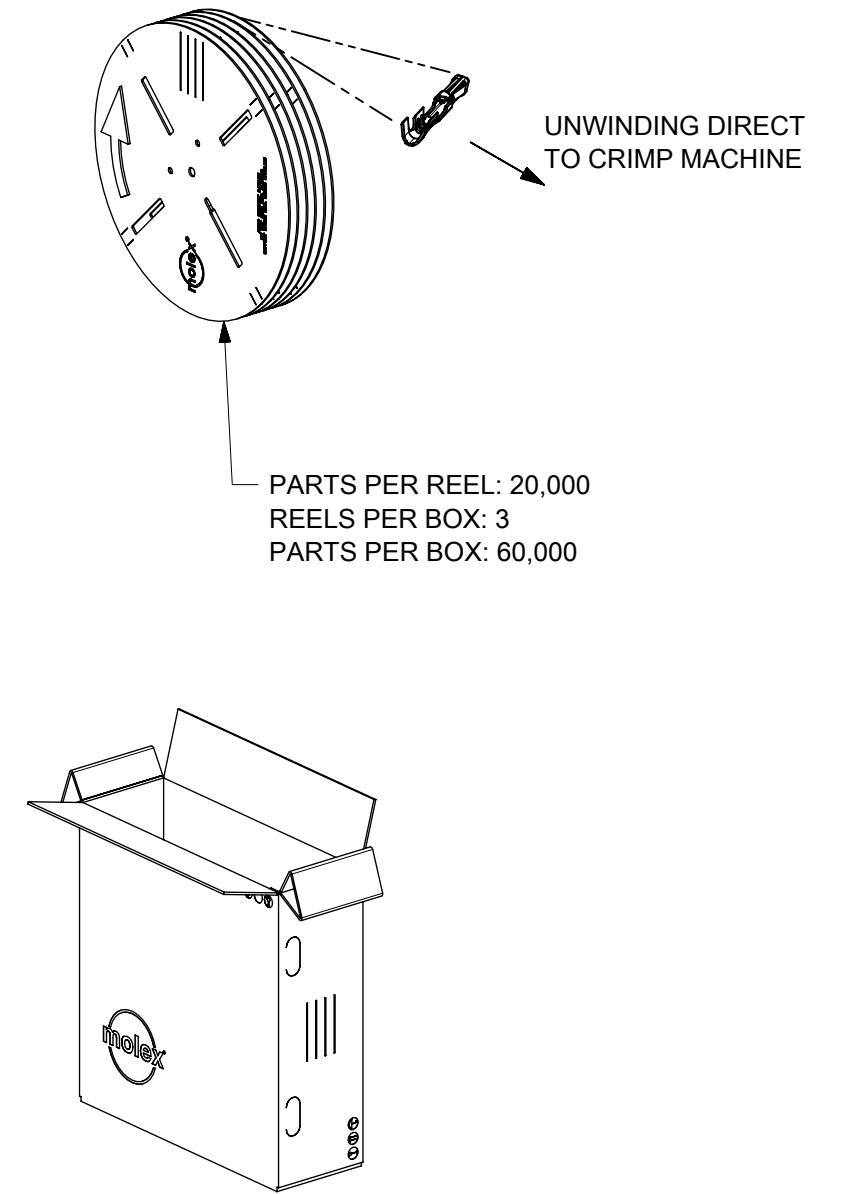
MATERIAL NO:	PACKAGING	PLATING SEE NOTE 2	WIRE SIZE	MAX INSULATION DIA
70058-1086	REEL	124 SELECT TIN	22-24 AWG	1.63 DIA MAX
70058-1102	LOOSE			
70058-0086	REEL	P124 OVERALL TIN		
70058-0102	LOOSE			
70058-0087	REEL	207 0.38 GOLD		
70058-0103	LOOSE			
70058-0088	REEL	206 0.75 GOLD		
70058-0104	LOOSE			

THIS DRAWING CONTAINS INFORMATION THAT IS PROPRIETARY TO MOLEX ELECTRONIC TECHNOLOGIES, LLC AND SHOULD NOT BE USED WITHOUT WRITTEN PERMISSION									
DIMENSION UNITS	SCALE	CURRENT REV DESC: OBSOLETE PART NUMBER AS PER PCN#508517							
mm	8:1								
GENERAL TOLERANCES (UNLESS SPECIFIED)		EC NO: 667105			SL CRIMP TERMINAL (22-24 AWG WIRE) PRODUCT CUSTOMER DRAWING				
ANGULAR TOL ± °		DRWN: SUGEEB 2021/05/27							
4 PLACES ±		CHK'D: GGA 2021/06/29			DOCUMENT NUMBER: 700580000-SD DOC TYPE: PSD DOC PART: 000 REVISION: B2				
3 PLACES ±		APPR: GGA 2021/06/29							
2 PLACES ± 0.15		INITIAL REVISION:			MATERIAL NUMBER: SEE TABLE CUSTOMER: GENERAL MARKET SHEET NUMBER: 3 OF 4				
1 PLACE ± 0.25		DRWN: KSAMIEC 2017/05/03							
0 PLACES ± 0.0		APPR: FSMITH 2017/06/16							
DRAFT WHERE APPLICABLE MUST REMAIN WITHIN DIMENSIONS		THIRD ANGLE PROJECTION	DRAWING	SERIES	MATERIAL NUMBER		CUSTOMER		SHEET NUMBER
			B-SIZE	70058	SEE TABLE		GENERAL MARKET		3 OF 4

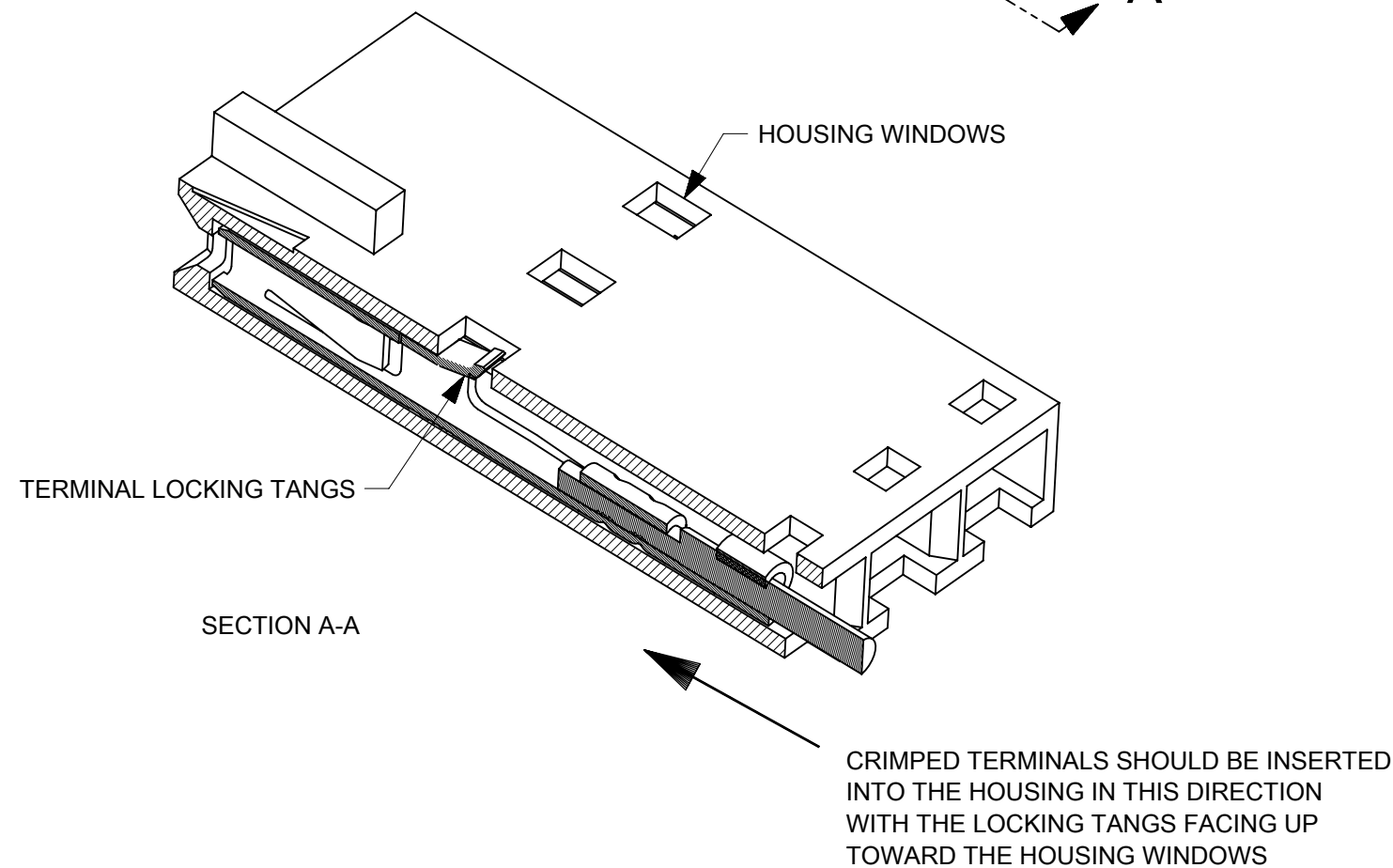
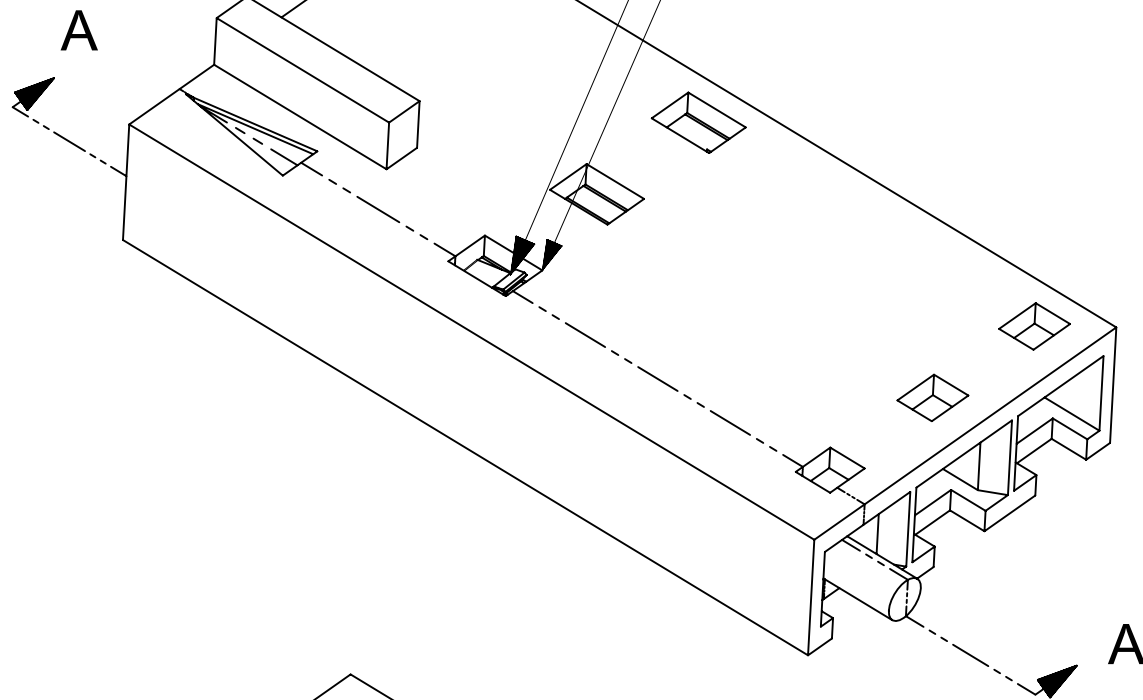
### LOOSE PACKED



### REEL PACKED



WHEN TERMINALS ARE FULLY INSERTED INTO THE HOUSINGS. THE TERMINAL'S LOCKING TANG SHOULD BE VISABLE IN THE HOUSING'S WINDOWS



THIS DRAWING CONTAINS INFORMATION THAT IS PROPRIETARY TO MOLEX ELECTRONIC TECHNOLOGIES, LLC AND SHOULD NOT BE USED WITHOUT WRITTEN PERMISSION									
DIMENSION UNITS	SCALE	CURRENT REV DESC: OBSOLETE PART NUMBER AS PER PCN#508517				<b>molex</b>			
mm	1:15								
GENERAL TOLERANCES (UNLESS SPECIFIED)		EC NO: 667105				SL CRIMP TERMINAL			
ANGULAR TOL	± °	DRWN: SUGEEB 2021/05/27							
4 PLACES	±	CHK'D: GGA 2021/06/29				PRODUCT CUSTOMER DRAWING			
3 PLACES	±	APPR: GGA 2021/06/29							
2 PLACES	± 0.15	INITIAL REVISION:				DOCUMENT NUMBER			
1 PLACE	± 0.25	DRWN: KSAMIEC 2017/05/03				700580000-SD			
0 PLACES	± 0.0	APPR: FSMITH 2017/06/16				PSD 000 B2			
DRAFT WHERE APPLICABLE MUST REMAIN WITHIN DIMENSIONS		THIRD ANGLE PROJECTION	DRAWING	SERIES	MATERIAL NUMBER	CUSTOMER	SHEET NUMBER		
			B-SIZE	70058	SEE TABLE	GENERAL MARKET	4 OF 4		