

SSP1A450BDS

Harmony, Solid state relay, 50 A, DIN rail mount, zero voltage switching, thermal pad and smart diagnostic, input 4...32 V DC, output 48...660 V AC



Main

Range of Product	Harmony Solid State Relays
Product or Component Type	Solid state relay up to 50 A
Provided accessory	Thermal pad
Device short name	SSP1
Mounting Support	Panel
Number of phases	1 phase
Line Rated Current	50 A
Solid state output type	Zero voltage switching SCR output
Output switching mode	Zero voltage switching

Complementary

[Uc] control circuit voltage	4...32 V DC
Minimum switching voltage	4 V DC turn-on
Maximum switching voltage	1 V DC turn-off
Response time	0.5 cycle (turn-on) 0.5 cycle (turn-off)
Input current	7...12 mA
Output voltage	48...660 V AC
Load current	0.15...50 A
Transient overvoltage	1200 V
Surge current	625 A 16.6 ms
Maximum I ² t for fusing	1770 A ² .S for 10 ms at 50 Hz 1629 A ² .s for 8.33 ms at 60 Hz
Co-ordination type	Type 1 - 40 A miniature circuit breaker (MCB) B Type 2 - 32 A miniature circuit breaker (MCB) B
Maximum leakage current	1 mA off-state
Maximum voltage drop	<1.15 V on-state
DV/dt	500 V/μs off-state at maximum voltage
Power factor	0.5 (with maximum load)
Motor controller rating	0.75 Hp 120 V AC 2 Hp 240 V AC 5 hp 480 V AC
Insulation resistance	1000 MOhm at 500 V DC
Maximum capacitance	8 pF for input/output
Dielectric strength	4 KV AC for input/output 4 kV AC for input or output to case
[Uimp] rated impulse withstand voltage	6 KV output to case 6 kV input to output
Tightening torque	1.5...1.7 N.m for input 2...2.2 N.m for output 17.7...19.47 lb.in for output 13.27...15.04 lb.in for input 0.5...0.6 N.m for auxiliary terminal 4.4...5.3 lb.in for auxiliary terminal

The information provided in this documentation contains general descriptions and/or technical characteristics of the performance of the products contained herein. This documentation is not intended as a substitute for and is not to be used for determining suitability or reliability of these products for specific user applications. It is the duty of any such user or integrator to perform the appropriate and complete risk analysis, evaluation and testing of the products with respect to the relevant specific application or use thereof. Neither Schneider Electric Industries SAS nor any of its affiliates or subsidiaries shall be responsible or liable for misuse of the information contained herein.

Connections - terminals	Screw terminals 0.2...3.3 mm ² , AWG 24...AWG 12) with cable end input Screw terminals 0.5...5.26 mm ² , AWG 20...AWG 10) with cable end output Screw terminals 0.2...3.3 mm ² , AWG 24...AWG 12) without cable end input Screw terminals 0.5...8.26 mm ² , AWG 20...AWG 8) without cable end output Forked type tag connectors 9.2 x 4 mm input Ring lugs 9.2 x 4 mm input Forked type tag connectors 11.7 x 4.5 mm output Ring lugs 11.7 x 4.5 mm output
Auxiliary/Alarm connection terminal	Screw-type connector, 0.5...1.5 mm ² AWG 20...AWG 16) slotted Philips
Thermal resistance	0.45 °C/W junction to case
LED indicator	LED, steady, green ON status control input/test button actuated LED, steady, amber ON status load LED, flashing, amber control input to energise load LED, steady, red open-circuit control input LED, flashing, red load cut-off/short-circuit
Maximum alarm output current	30 mA 32 V DC
Minimum load current	150 mA
IP degree of protection	IP20
Electromagnetic compatibility	Electrostatic discharge 6 kV criteria A contact discharge conforming to IEC 61000-4-2 Electrostatic discharge 8 kV criteria A air discharge conforming to IEC 61000-4-2 Radiated radio-frequency electromagnetic field immunity test criteria A output ports conforming to IEC 61000-4-3 Radiated radio-frequency electromagnetic field immunity test criteria B alarm port conforming to IEC 61000-4-3 Electrical fast transient/burst immunity test 1 kV, 5/100 kHz criteria B output ports conforming to IEC 61000-4-4 Surge immunity test 1 kV criteria A output ports line to line conforming to IEC 61000-4-5 Surge immunity test 2 kV criteria A output ports line to earth conforming to IEC 61000-4-5
Safety reliability data	B10d = 1731395 MTTFd = 1875.9 years
Net Weight	3.43 oz (97.1 g)
Device presentation	Complete product

Environment

Ambient Air Temperature for Operation	-40...176 °F (-40...80 °C)
Ambient Air Temperature for Storage	-40...257 °F (-40...125 °C)
Pollution degree	2
Overvoltage category	III
Product Certifications	CE UL EAC CSA
Marking	UL CSA EAC CE
Standards	UL 508 EN/IEC 62314 EN/IEC 60950-1 CSA C22.2 No 14-13

Ordering and shipping details

Category	22375-INTERFACE MODULE(ABA,R,S)
Discount Schedule	CP2
GTIN	3606485442242
Nbr. of units in pkg.	1
Package weight(Lbs)	3.99 oz (113.0 g)
Returnability	Yes

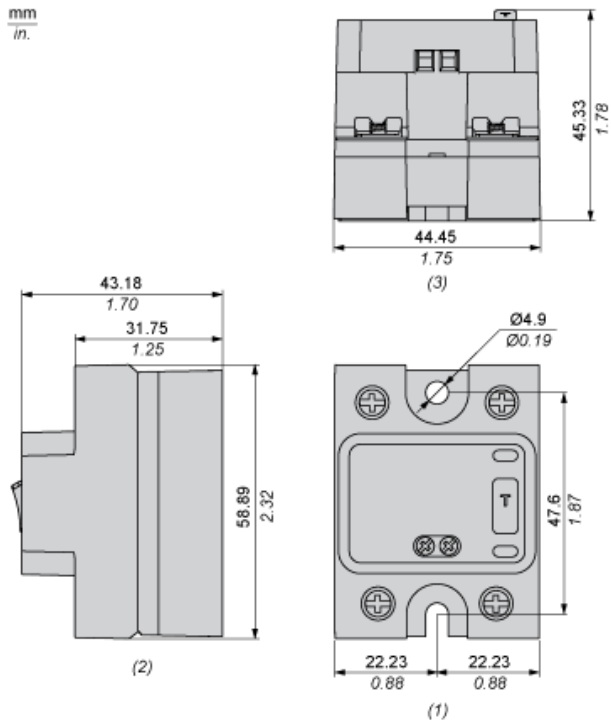
Packing Units

Unit Type of Package 1	PCE
Package 1 Height	1.81 in (4.6 cm)
Package 1 width	1.97 in (5 cm)
Package 1 Length	2.36 in (6 cm)
Unit Type of Package 2	S01
Number of Units in Package 2	28
Package 2 Weight	7.64 lb(US) (3.465 kg)
Package 2 Height	5.91 in (15 cm)
Package 2 width	5.91 in (15 cm)
Package 2 Length	15.75 in (40 cm)

Offer Sustainability

Sustainable offer status	Green Premium product
California proposition 65	WARNING: This product can expose you to chemicals including: Lead and lead compounds, which is known to the State of California to cause cancer and birth defects or other reproductive harm. For more information go to www.P65Warnings.ca.gov
REACH Regulation	REACH Declaration
EU RoHS Directive	Pro-active compliance (Product out of EU RoHS legal scope) EU RoHS Declaration
Mercury free	Yes
RoHS exemption information	Yes
China RoHS Regulation	China RoHS Declaration
Environmental Disclosure	Product Environmental Profile
Circularity Profile	End Of Life Information

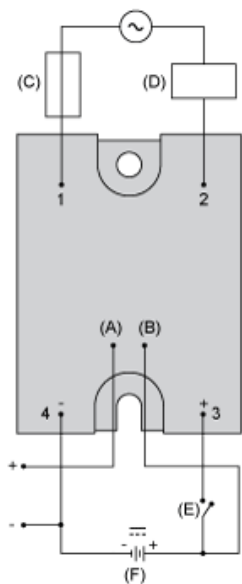
Dimensions



- (1) Front view
- (2) Side view
- (3) Bottom view

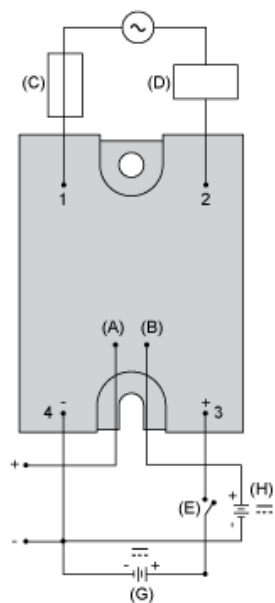
Wiring Diagram

Single Supply Connection



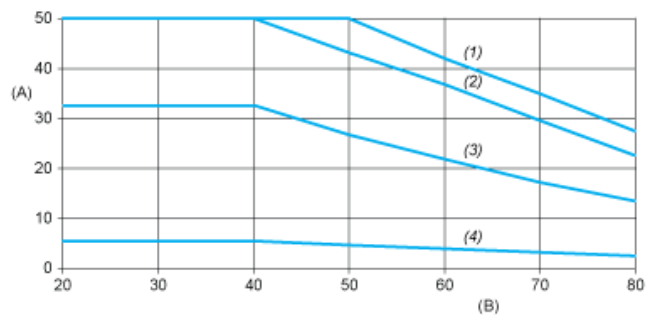
- (F) Control/Auxiliary supply (4...32 V DC)
- (A) Alarm output terminal (4...32 V DC)
- (B) Auxiliary supply terminal
- (C) Fuse or circuit-breaker
- (D) Load
- (E) Switch to energize load

Dual Supply Connection



- (G) Control supply (4...32 V DC)
- (H) Auxiliary supply (4...32 V DC)
- (A) Alarm output terminal (4...32 V DC)
- (B) Auxiliary supply terminal
- (C) Fuse or circuit-breaker
- (D) Load
- (E) Switch to energize load

Derating Curves



- A : Load Current (Arms)
B : Ambient Temperature (°C)
(1) For Heatsink SSRHP07
(2) For Heatsink SSRHD10
(3) For Heatsink SSRHP17
(4) No Heatsink