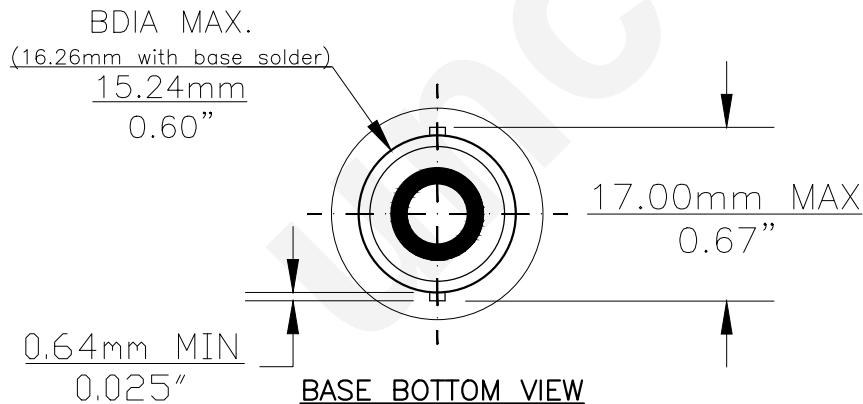
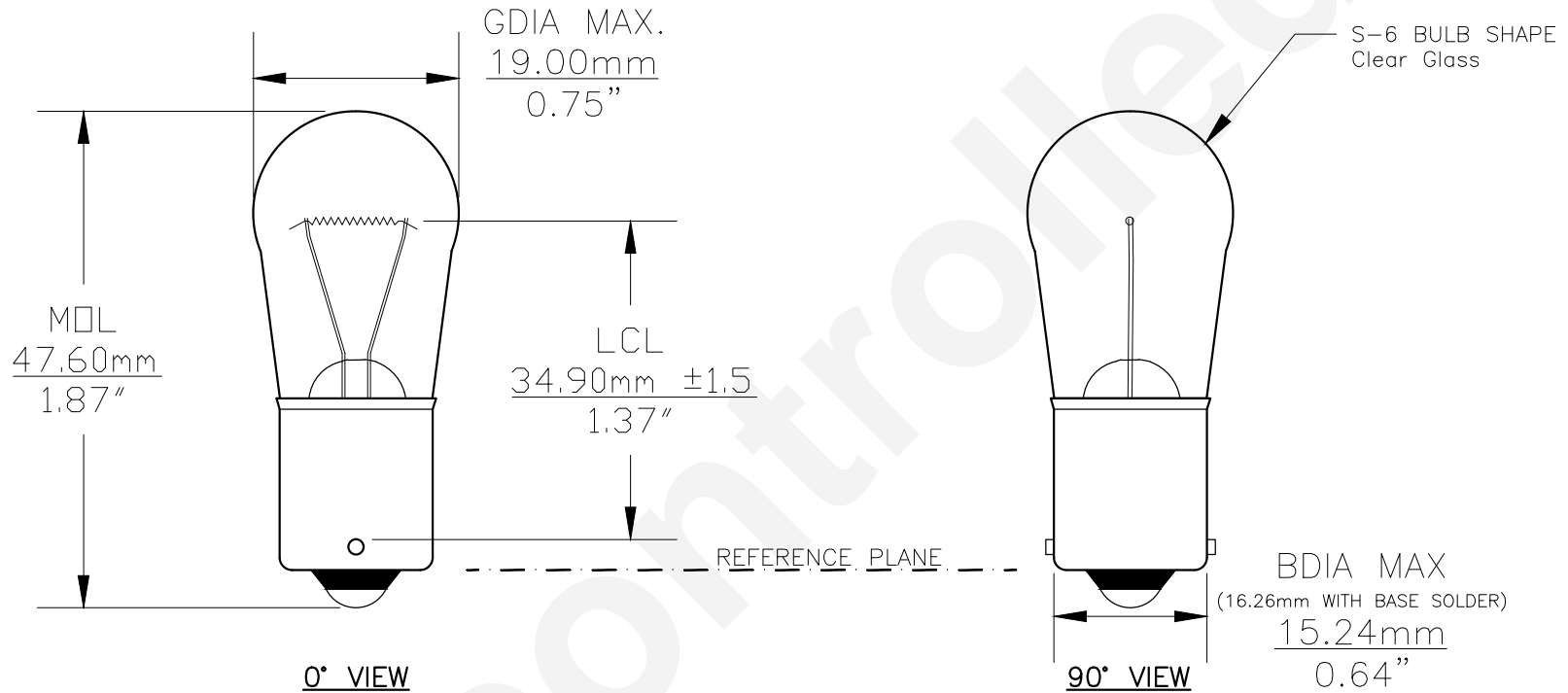




PART NO.	BASE TYPE	DESIGN VOLTS	DESIGN AMPS	MSCD	FILAMENT TYPE	AVERAGE LIFE HOURS	REVISIONS			
							REV #	DESCRIPTION	DATE	APPROVED
6S6SC/6V	S.C. Bayonet (BA15s)	6.0V	1.0±5%	--	C-6	1500	1	ISSUED	11/10/2014	R.M.



Note: Made according to SAE specifications



UNLESS OTHERWISE SPECIFIED: DIMENSIONS ARE IN INCHES TOLERANCES		CEC INDUSTRIES LTD			
DECIMALS	ANGULAR	599 BOND STREET		LINCOLNSHIRE, IL 60069	
.XX ± .05	± 0.5°	TITLE		LIGHT BULB NO. 6S6SC/6V	
.XXX ± .010	± 1/64	SIZE	FSCM NO.	DWG NO.	REV
FRACTIONAL		A		6S6SC/6V	1
DRAWN	DATE	SCALE	PLOT SCALE	SHEET 1 OF 1	
ROSE MEDINA	11/10/2014				
CHECKED		FILE	DRAWING NOT TO SCALE		
DESIGN		6S6SC6V.pdf			
MATERIAL					